

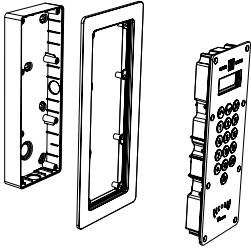


ins-20400

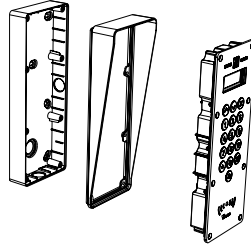




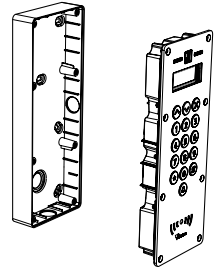
337-400



337-410



337-420



M4 x 16 mm

x8



M5 x 38 mm

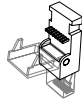
x7



35 mm (2-3/8)



x7



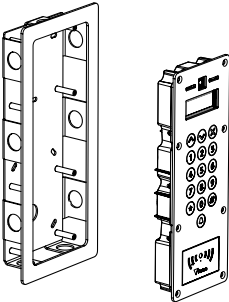
x1



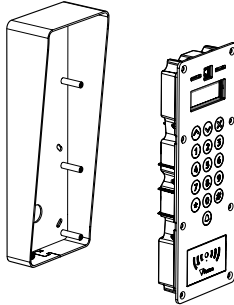
x1



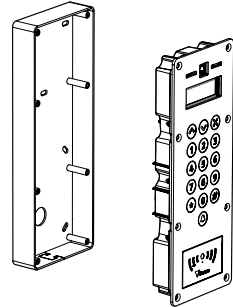
337-500



337-510



337-520



M4 x 16 mm

x8



M5 x 38 mm

x7



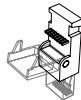
35 mm (2-3/8)



x7



x1

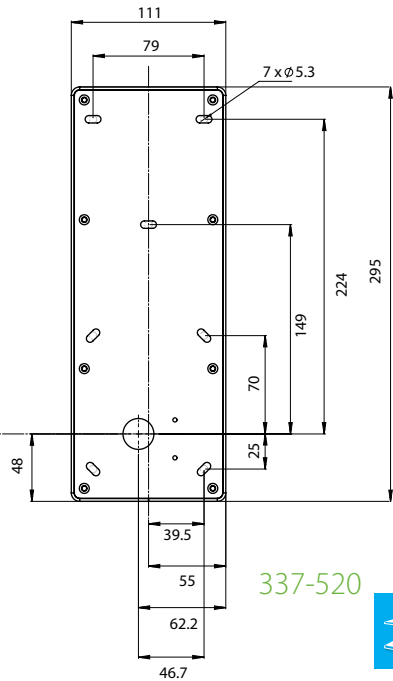
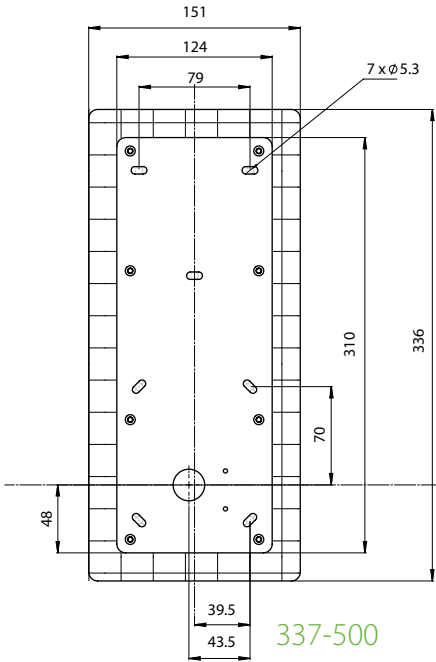
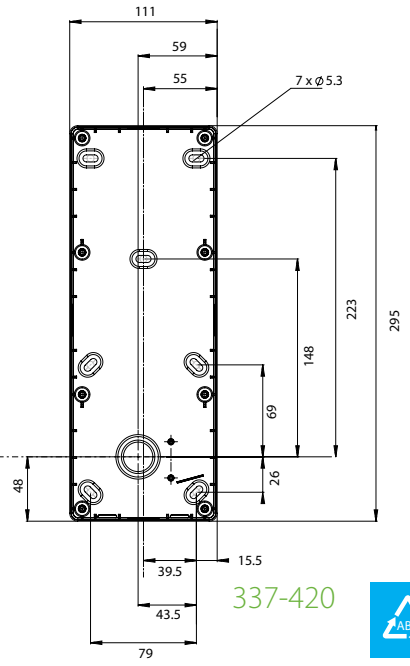
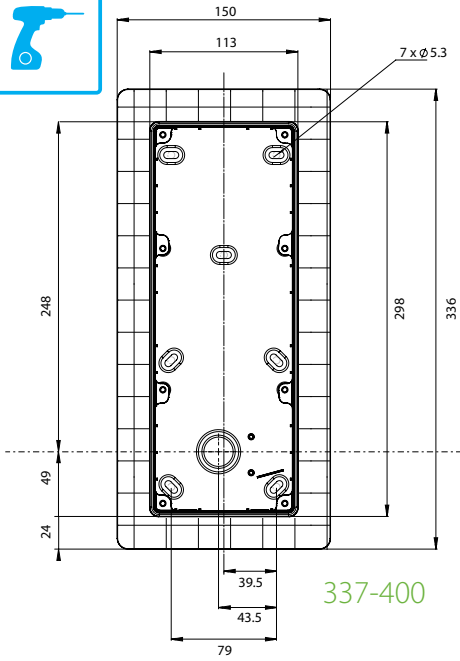


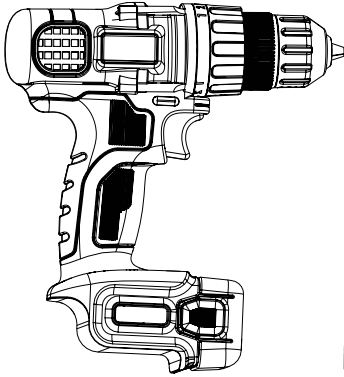
x1



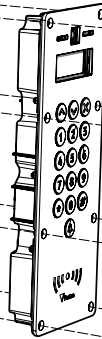
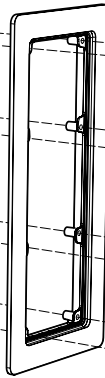
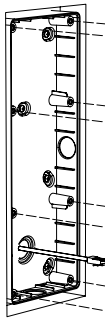
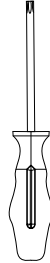
x1



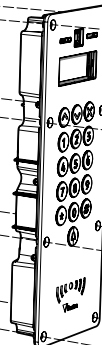
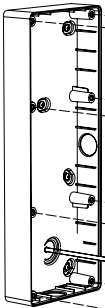




8 mm

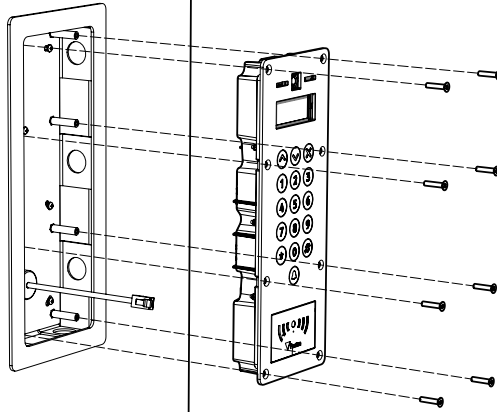


337-400

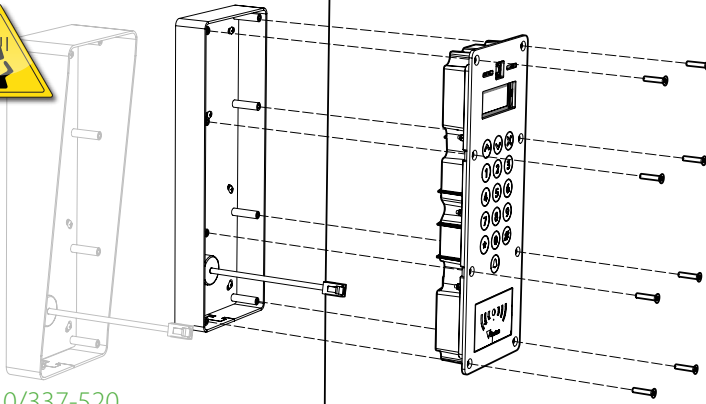


337-410/337-420

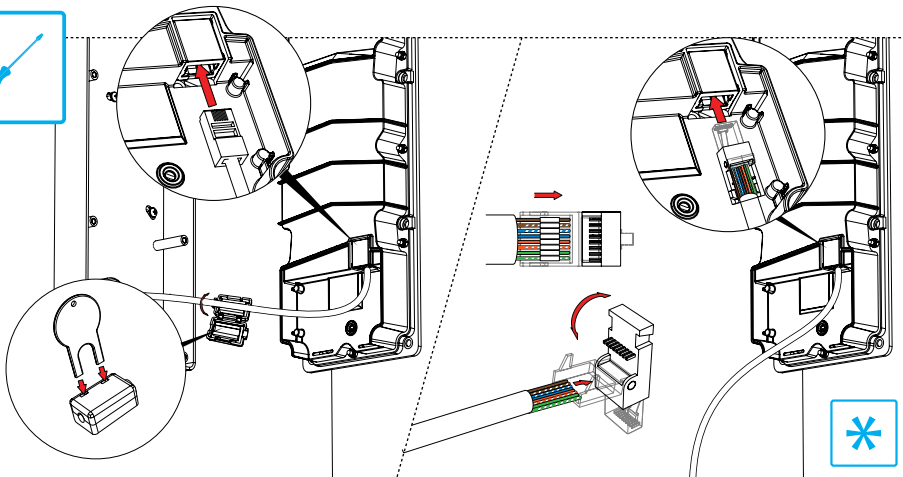


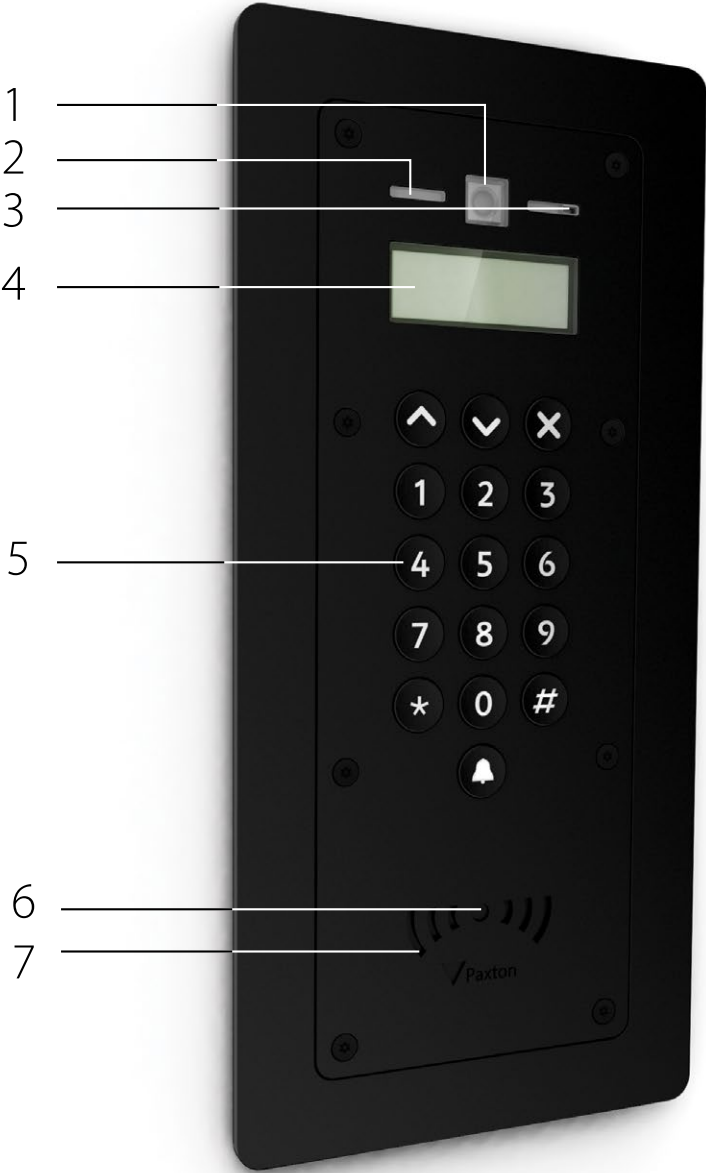


337-500




337-510/337-520











$\leq 100$





**PoE**  
802.3af

12.95W




337-420		
337-400	=	
337-410		
<hr/>		
337-520		
337-500	=	IK10
337-510		


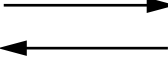


0°C	+49°C *
32°F	+120°F*
<hr/>	
-20°C	+55°C
-4°F	+131°F




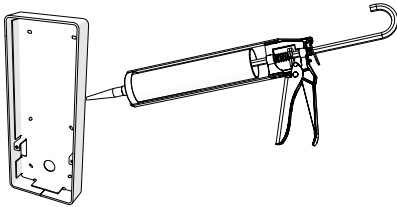

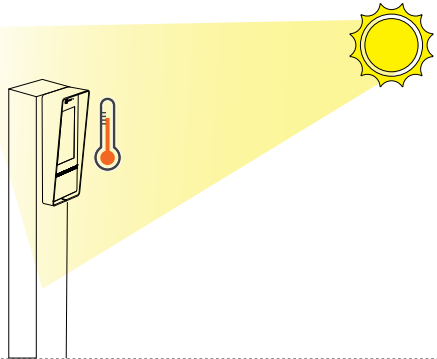
IP55  
IP5X\*\*



\*- Temperature evaluated by UL.

\*\* - Not evaluated by UL.



**UL 293 performance Levels:**

<b>Model</b>	<b>Destructive Attack</b>	<b>Line Security</b>	<b>Endurance</b>	<b>Standby Power</b>
Standard Panel Models 337-400, 337-410, 337-420	1	1	4	1++
Vandal Resistant Panels – models 337-500, 337-510, 337-520	1	1	4	1++

++ Level 3 may be achieved when powered from model 337-727 control unit

Ethernet ports may extend beyond 30m if Emerson Network Power Surge Protection Inc., Model No. LCDP-060 is employed on each circuit extending beyond 30m.

Standard Panels -- Models 337-400, 337-410, 337-420, Vandal Resistant Panels – models 337-500, 337-510, 337-520, and monitor--model 337-290 are the only equipment evaluated by UL to be connected to 337-727 for UL 293.

No other PoE equipment to be connected to 337-727. Shielded Ethernet cable to be used for UL 293 installations

The monitor and Net2 monitoring station were not fully evaluated to UL 293 and are for supplemental use.

**Ratings:**

<b>Product</b>	<b>Input Voltage</b>	<b>Input Current</b>
Standard Panel (Models 337-400, 337-410, 337-420),  VR Panel (Models 337-500, 337-510, 337-520),	48VDC PoE from 337-727 only	150mA



+44 (0)1273 811011  
 support@paxton.co.uk  
 paxton.support



877.438.7298  
 supportUS@paxton-access.com  
 usapaxton.support



+31 (0)76 3333 999  
 support@paxton-benelux.com  
 paxton.benelux.support



+32 (0) 78485147  
 support@paxton-benelux.com  
 paxton.benelux.support



+49 (0) 251 2080 6900  
 verkauf@paxton-gmbh.de  
 paxton.gmbh.support



+33 (0)1 57 32 93 56  
 support@paxtonaccess.fr  
 paxton.support



+27 (0) 21 4276691  
 support@paxtonaccess.co.za  
 paxton.support



8000 3570 3783  
 support@paxtonaccess.ae  
 paxton.support



+52 55 5351 3667  
 soporte@paxton-access.com  
 paxton.soporte



+57 1508 8198  
 soporte@paxton-access.com  
 paxton.soporte



+44 (0)1273 811011  
 support@paxton.co.uk  
 paxton.support



Paxton Access Ltd hereby declares that this product is in conformity with all the essential requirements of the Directive 2014/53/EU.

<http://paxton.info/4867>

The full declaration of conformity is provided at: <http://paxton.info/3910>

Contact details are provided at: <http://paxton.info/596>

These products are not suitable for retail sale. All warranties are invalid if these products are not installed by a competent person.

## **Product compliance and limitations**

Wiring methods shall be in accordance with the National Electrical Code (ANSI/NFPA70), local codes, and the authorities having jurisdiction.

This device complies with Industry Canada licence-exempt RSS standard(s). Operation is subject to the following two conditions: (1) this device may not cause interference, and (2) this device must accept any interference, including interference that may cause undesired operation of the device.

This device complies with Part 15 of the FCC Rules. Operation is subject to the following two conditions:

(1) this device may not cause harmful interference, and (2) this device must accept any interference received, including interference that may cause undesired operation. Changes or modifications not expressly approved by the party responsible for compliance could void the user's authority to operate the equipment.

The R.F exposure safe operating distance is 20cm

## **Conformité et limitations du produit**

Les méthodes de câblage doivent être en accord avec le code nation électrique (ANSI/NFPA70), codes locaux et les autorités ayant la juridiction.

Ce dispositif est conforme au(x) standards RSS de l'industrie Canadienne sans-licence. Le fonctionnement est soumis aux deux conditions suivantes : (1) ce dispositif ne doit pas créer d'interférences nuisibles et (2) ce dispositif doit accepter toute interférence reçue, y compris des interférences qui peuvent causer un fonctionnement non souhaité.

Ce dispositif est conforme à la section 15 du règlement de la FCC. Le fonctionnement est soumis aux deux conditions suivantes : (1) ce dispositif ne doit pas créer d'interférences nuisibles et (2) ce dispositif doit accepter toute interférence reçue, y compris des interférences qui peuvent causer un fonctionnement non souhaité. Tout changement ou modification non agréé par la partie responsable de la mise en conformité peut entraîner une interdiction d'utilisation de l'équipement.

La distance de sécurité d'exposition au FR (fréquence Radio) est de 20cm



Made in the UK

