



**BEST**   
dormakaba Group

# E Series Mortise and Rim Cylinders by BEST



Smart access means BEST in class

# TABLE OF CONTENTS

1E Series Features.....	2	Eurocylinders.....	7
1E Series Specs/How To Order.....	2	Cylinders and Cams.....	8
Series Rings/Spindles/Mortise/Service Equipment.....	3	1E Cylinder Special Rings.....	9
1E Series Special Cylinders.....	4-5	5E Series Specs/Accessories.....	10
1EJ7J4/1EK7K4 High Security Cylinders.....	6	5E Series How To Order.....	12
Patented Keying System.....	6	1E Series How To Order (Continued).....	12

## 1E Series – Features

### 1E Mortise Cylinder



Standard mortise applications require use of BEST's 1E series cylinders with standard 1E-C4 cam. BEST cylinders may be altered to function with other manufacturers' locks by use of different cams (see page 8) and different cylinder rings (see page 9). Special cylinder variations are available for most applications (see pages 4 & 5). BEST cylinders are machined from brass or bronze bar stock and are available in a variety of finishes. Additional security is provided by a set screw that mounts diagonally in the cylinder wall and when tightened, holds the cylinder securely in the housing. BEST mortise cylinders feature the BEST interchangeable core and may be master-keyed into any existing BEST system. Contact your local BEST sales office for information on special cylinder applications not listed in this catalog.

Cylinder Nomenclature	Dimension "A"	Door Thickness
1E-64	1-1/8"	1-5/8" to 2-1/4"
1E-74	1-1/4"	1-7/8" to 2-1/2"



**Cylinder diameter:** 1-5/32"  
**How to order example:** 1E74-C4-RP3-626  
**Products covered by on or more of the following patents:** 5,590,555 5,794,472

### 12E Rim Cylinder



Standard rim cylinder applications require the use of BEST's 1E rim cylinder series. BEST rim cylinders are interchangeable with other manufacturers' rim cylinders. BEST rim cylinders are machined from solid bar stock and are available in a variety of finishes. The standard package for the BEST rim cylinder includes cylinder, RP3 ring package, 1E-S2 spindle, clamp plate and clamp plate screws. BEST rim cylinders feature the BEST interchangeable core and may be masterkeyed into any existing BEST system.

Cylinder Nomenclature	Dimension "A"	Door Thickness
12E62	1-3/16"	1" to 2-3/4"
12E72	1-11/32"	1-1/4" to 3"



**Cylinder diameter:** 1-5/32"  
**How to order example:** 12E72-S2-RP3-626

### 1E Series How To Order

Series	Core Housing	Function Code	Length Code	Cam or Spindle	Rings	Finish
See p.12	0 – dummy 6 – 6-pin 7 – 7 pin housing accepts all Best cores	See p.12	(1E74 only) Blank – Standard 22 – 1-3/8" 24 – 1-1/2" up to 6"  (See page 4-5)	C4 – Standard cam C181 – Adams Rite MS cam S2 – Standard spindle  (For special cams see page 8)	RP – Rim cylinder RP1 – Tapered cylinder RP2 – 6 pin mortise RP3 – 7 pin mortise  (For special rings see page 9)	626 690  Satin* 606 612 613 619  Bright* 605 611 625

\*Indicates extra cost \*\* Must specify keymark and number of keys or designate L/C for less core.

## Standard Rings

### RP Standard Ring Package

The RP standard ring package includes a 1E-R3 (3/16") and 1E-R5 (3/8") ring.



1E-R3  
3/16"



1E-R5  
3/8"

### RP1 Standard Ring Package

The RP1 standard ring package includes a 1E-R2 (1/8") and 1E-R3 (3/16") ring.



1E-R2  
1/8"



1E-R3  
3/16"

### RP3 Ring Package

The RP3 ring package for the 1E-62, 1E-72 and 1E-74 cylinders includes a 1E-R2 (1/8") and a 1E-R5 (3/8")



1E-R2  
1/8"



1E-R5  
3/8"

### RP5 Ring Package

The RP5 ring package for the 1E-62, 1E-72 and 1E-74 cylinders includes a 1E-R2 (1/8"), 1E-R4 (1/4") and a 1E-R5 (3/8")



1E-R2  
1/8"



1E-R4  
1/4"



1E-R5  
3/8"

## Standard Cam

Standard Cam for 1E-64, and 1E-74 Mortise Cylinders Unless otherwise specified, the 1E-C4 cam is supplied on all 1E mortise cylinders.

Commonly used cams are listed on page 8.

If a cam other than the variety listed is needed, a sample cam should be forwarded to your local BEST office along with the lock manufacturer's name and lock series or identification number.



1E-R4  
1/4"

## Spindles



1E-S2 Spindle (Steel) - A-40100-SH  
1E-S3 Spindle (Bronze) - A-40100-Z1E-R5  
5" Spindle - A-54950; 5/32" Spindle - A-40101

The 1E-S2 flat spindle is supplied standard on all 1E rim cylinders. If marine application is necessary, request "marine construction" (1E-S3 bronze spindle and non-ferrous materials supplied). A five (5) inch spindle is available for thick door applications.

## Mortise Service Equipment

### Mortise Cylinder Wrench

The BEST mortise cylinder wrench and test handle is an essential dual-purpose tool. The double end is used primarily to install or remove BEST mortise cylinders without marring the cylinder surface finish. The single end may be used to test the lock operation, as well as align the throw pins.

**To order specify:** ED211 mortise cylinder wrench.



ED211

### Mortise Cylinder Cam Assembly Tool

Mortise cylinder cams are quickly changed with the use of this tool. Approximate length 1 3/4".

**To order specify:** ED212 assembly tool.



ED212

### ED221 Mortise Cylinder Thread Repair Die

Tool for re-threading 15/32" diameter cylinders.

**To order specify:** ED221 thread repair die.

### ED222 Cylinder Cam Testing Tool

Special cylinder/wrench assembly. Screws provide rapid means to install cams for testing. **To order specify:** ED222 cam testing tool.

### ED225 Hole Tap For 15/32" Mortise Cylinder

Tap tool used to re-thread housing threads for 1E mortise cylinders.

### A40095 Standard Throw Pins

### Special Length Mortise Cylinders Specifications Diameter – 1 5/32"

**Uses** – Special thickness doors

**Length** – See chart

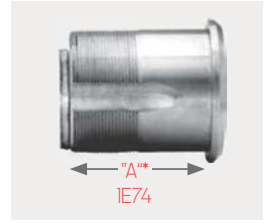
**Material** – Solid brass or bronze

**Cam** – Standard 1E-C4 cam (see page 2) supplied unless otherwise specified.

**Rings** – The RP2 (for 6 pin) and RP3 (for 7 pin) package are supplied standard (page 2) unless otherwise specified.

**To order:** Designate desired length from chart under length code step "D" as shown (page 2).

**Example:** 1E-74-32



Length "A"	Designate this number on step "D" of order procedure (page 2)
1-3/8"	22
1-1/2"	24
1-5/8"	26
1-3/4"	28
1-7/8"	30

Length "A"	Designate this number on step "D" of order procedure (page 2)
2"	32
2-1/8"	34
2-1/4"	36
2-1/2"	40
2-3/4"	44

Length "A"	Designate this number on step "D" of order procedure (page 2)
3"	48
3-1/2"	56
4"	64
4-1/2"	72
5"	80

Length "A"	Designate this number on step "D" of order procedure (page 2)
5-1/4"	88
6"	96

\*ONLY AP TO IE74

### 1-1/2" Diameter Mortise Cylinder Specifications

**Diameter** – 1-1/2"

**Length** – 6 pin: 1-1/8" ; 7 pin: 1-1/4"

**Door thickness** – 6 pin: 1-5/8" to 2-1/4" (includes trim)  
7 pin: 7/8" to 2-1/2"

**Material** – Solid brass or bronze

**Cam** – Standard 3E-C3 cam supplied unless otherwise specified.

**Rings** – The RP4 ring package is supplied with 3E cylinders. This package includes a 3E-R2 (1/8") and a 3E-R4 (1/4") ring.

**To order:** Designate "3E" on step "A" of order procedure (page 2)

**Example:** 3E-74-C3-RP4-626

**Options:** 3E-04-Dummy, 3E-7A4-Turn knob, 3E-7B4-Dust Cover. Adaptor ring to allow IE74 cylinders to fit a 3E tapped hole: A26139.



### Dummy Mortise and Rim Cylinders Specifications

**Diameter** – 1-5/32"

**Length** – Mortise: 1-1/8" ; Rim: 1-1/8"

**Material** – Solid brass or bronze

**Cam** – Standard 3E-C3 cam supplied unless otherwise specified.

**Rings** – Ring packages are supplied standard as follows:

Mortise – RP2 ring package (see page 2)

Rim – RP3 ring package (see page 3)

**To order:** Designate "O" on step "B" of order procedure (page 2)

**Example:** 1E-02

E04-slot in back: 1ESPL-6-B4619

IE04-slot in back: 1ESPL-7-B4620

IE02-slot in face: 1ESPL-6-A5035

Special IE04 with slot on back: 1ESPL-7-B4620

Special length IE04 cylinders:

1-1/2": 1ESPL-7-A9619

1-3/4": 1ESPL-7-A20331



### Taper Head Mortise Cylinder Specifications

**Diameter** – 1-5/32"

**Length** – 6 pin: 23/32" to 3/4"

**Door thickness** – 6 pin: 1-3/8" to 1-3/4" (including trim)

7 pin: 1-3/8" (including trim)

7 pin: 1-3/4" (without trim)

**Material** – Solid brass or bronze

**Cam** – Standard 1E-C4 cam supplied unless otherwise specified.

**Rings** – The RPI ring package (page 2) is

supplied standard with all 1E taper cylinders (page 2).

**To order:** See page 2.

**Example:** 1E-76-C181-626



### Turn Knob Cylinders Specifications

**Diameter** – 1-5/32"

**Length** – 6 pin: 1-1/8"; IEA6A4, Mortise ADA

**Rim** – 6 pin: 1-3/16"; IEA6A2, Rim Std

6 pin: 1-3/16"; IEA6A1, Rim ADA

**Material** – Solid brass or bronze

**Cam** – Standard 1E-C140 cam supplied unless otherwise specified (see page 2).

**Rings** – Ring packages are supplied standard as follows (unless otherwise specified): Mortise 6 pin: RP2 ring package (see page 2)

**To order:** Designate "A4" on step "C" of order procedure (page 2).

**Example:** IEA-6A4-C140-RP3-626

R-function turn knob cylinders

RH-1ESPL-6-B35401

LH-1ESPL-6-B35405

Special length cylinders

15"-1ESPL-6-A20336

175"-1ESPL-6- A20337

2"- 1ESPL-6-B23409



IEA6A1  
Rim ADA turn knob shown

NOTE: These should not be used in conjunction with deadbolt function BEST mortise locks. To order the old style "UP" thumb turn contact your local BEST dealer.

\* Reference to Length "A" on Mortise Cylinder Length Chart.

### Mortise and Rim Cylinders with Dust Covers Specifications

**Diameter** – 1-5/32"

**Length** – 6 pin: 1-1/8"; 7 pin: 1-9/32"

**Rim** – 6 pin: 1-3/16"; 7 pin: 1-11/32"

**Material** – Solid brass or bronze

**Cam** – Standard 1E-C4 cam (see page 4) 1E series supplied unless otherwise specified.

**Rings** – Ring packages are supplied standard as follows (unless otherwise specified):

Mortise 6 pin: RP2 ring package (see page 2),  
Mortise 7 pin: RP3 ring package (see page 2)  
Rim 6 and 7 pin: RP3 ring package (see page 2)

**To order:** Designate "B4" on step "C" of order procedure (page 2).

**Example:** 1EB 7B4 C4 RP3 626



### Mortise Cylinder Direct Motion Cam Specifications

**Diameter** – 1-5/32", slabbed, threaded to the head

**Length** – 6 pin: 1-5/16"; 7 pin: 1-15/32" from head to cam

**Material** – Solid brass or bronze

**Cam** – C228 - cabinet cylinder cam standard. Cam prevents key from being withdrawn in unlocked position.

**Rings** – The RP2 ring package is supplied standard for 6-pin and 7-pin unless otherwise specified (page 2)

**To order:** Designate "D4" on step "C" of order procedure (page 2).

**Example:** 1ED 7D4 C228 RP3 626

To order with a utility cam lengths from 5/8" to 3-1/2"  
1 3/4"- cylinder length (RH) 1ESPL-7-A10623 x C228  
(LH) 1ESPL-7-A10624 x C228

2 3/4"- cylinder length (RH) 1ESPL-7-A8774 x C228



### Standard Mortise Cylinder Lost Motion Cam Specifications

**Diameter** – 1-5/32"

**Length** – 6 pin: 1-1/8"; 7 pin: 1-1/4"

**Material** – Solid brass or bronze

**Cam** – 1E-C230 - cam supplied standard 1E-C230 is cam 1E-C4 (page 2) set up for lost motion. Specify cylinder handing as for hand and side of door.

Examples – RHO (Right Hand Outside); RHI (Right Hand Inside);  
LHO (Left Hand Outside); LHI (Left Hand Inside).

**Rings** – The RP2 ring package is supplied standard for 6-pin and 7-pin unless otherwise specified (page 2)

**To order:** Designate "F4" on step "C" of order procedure (page 2).

**Example:** 1EF 7F4 C230 RP3 626 RHO



### Square Head Mortise Cylinder-Wrench Resistant For use in Narrow Stile Doors Specifications

**Diameter** – 1-5/32"

**Length** – 6 pin: 1-1/4"; 7 pin: 1-13/32"

**Material** – Solid brass or bronze

**Cam** – SAs specified on order (see page 8 for cams available)

**Rings** – Package includes special 5/8" slip ring

**To order:** Designate "C4" on step "C" of order procedure (page 2).

**Example:** 1EC 7C4 C181CR1010 626

R1010 is 5/8" length. Other length rings are available.



### Slabbed Cabinet Mortise Cylinder Lost Motion Cam Specifications

**Diameter** – 1-5/32"

**Length** – 6 pin: 1-1/8" (effective length); 7 pin: 1-1/4" (effective length)

**Material** – Solid brass or bronze

**Cam** – C229- cam supplied unless otherwise specified (1E-C229, when ordered separate from unit). Specify hand: RH or LH

**Rings** – The RP2 ring package is supplied standard for 6 and 7-pin unless otherwise specified (page 2)

**To order:** Designate "E4" on step "C" of order procedure (page 2).

**Example:** 1EE 7E4 C229 RP3 626 RH

Special Length:

2" cylinder length (1 3/4" effective length)

RH-1ESPL-7A-9580; LH-1ESPL-7-A9577

2 1/4" cylinder length (2" effective length)

RH-1ESPL-7-A8813; LH-1ESPL-7-A8812



### Hotel/Motel Mortise Cylinder Shifting Cam Specifications

**Diameter** – 1-5/32"

**Length** – Mortise 6 pin: 1-5/16"; 7 pin: 1-5/32"

**Material** – Solid brass or bronze

**Cam** – SC258 or cam supplied as specified (see page 8).

**Rings** – The RP2 ring package is supplied standard for 6-pin and 7-pin unless otherwise specified (page 2).

**To order:** Designate "G4" on step "C" of order procedure (page 2).

**Example:** 1EG 7G4 C258 RP3 626



## 1E High Security Cylinders

### 1EJ7J4 – 1EK7K4 Cylinder Features

Designed for high security applications, BEST offers the 1EJ7J4 high security cylinder and special 5C interchangeable core. This special cylinder is listed by Underwriters Laboratories as meeting UL437 standard for key locks. The cylinder provides additional strength through a hardened stainless steel alloy ring, face and keyway disc. Cylinder also conforms to ANSI A156.5 mortise cylinder, Grade 1A. The 1EJ7J4 cylinder must be combined at the factory. The 1EK7K4 cylinder is available where UL listing is not a requirement, and can be ordered uncombined.

**Diameter** – 15/32". 1150-32 (NS-2A) threaded mortise cylinder.]

**Mounting length** – 7 pin: 1-11/16".

**Material** – Brass (cylinder) and stainless steel ring.

**Finish** – 630 (nickel plated satin stainless steel material).

**Cylinder rings** – High security wrench resistant, machined from stainless steel, hardened, and nickel plated. Special door preparation required. Diameter of hole 1 3/4".

**Cylinder face, Keyway disc** – Stainless steel, hardened Cam. Supplied with C258 cam. See page 8 for special cams.

**To order** – Designate "J4" or "K4" on Step "C" order procedure. (see page 2.)



## CORMAX™ Patented Keying System

BEST CORMAX™ is the premier patented keying system offered by BEST. CORMAX will meet your needs for security, key control, and convenience. A simple solution with no compromising allowed.

CORMAX is the upgrade path for existing BEST Standard, Premium, and MX8 customers; and it is an essential element of non-residential access control as security administrators strive to eliminate the unauthorized duplication of keys.

### CORMAX offers the following features and benefits:

- A long-term US utility patent that guarantees the extended useful life of the system through 2027.
- A second, independent locking mechanism that utilizes a patented set of built-in side pins to provide higher security.
- Several levels of geographical exclusivity, including national exclusivity, are available via the patented side pin feature.
- CORMAX cores and keys are available exclusively through BEST sales offices. Key blanks are only sold to individuals authorized by the customer to ensure key blanks do not end up in the possession of unauthorized personnel either inside or outside the customer's facility.
- CORMAX cores are certified to meet the security, safety, and reliability requirements of BHMA A156.5 Grade 1.
- Picking and drilling resistance options are available if higher levels of security are desired.
- Complete factory masterkeying service offered, and at no charge with purchase of BEST locksets and exit devices.
- Keyways are organized in families of four keyways each, with double-milled and quad-milled key levels to facilitate the design of masterkey systems in multi-building campuses.
- BEST CORMAX cores are compatible with all existing BEST interchangeable core housings, eliminating the need for new or modified locksets.



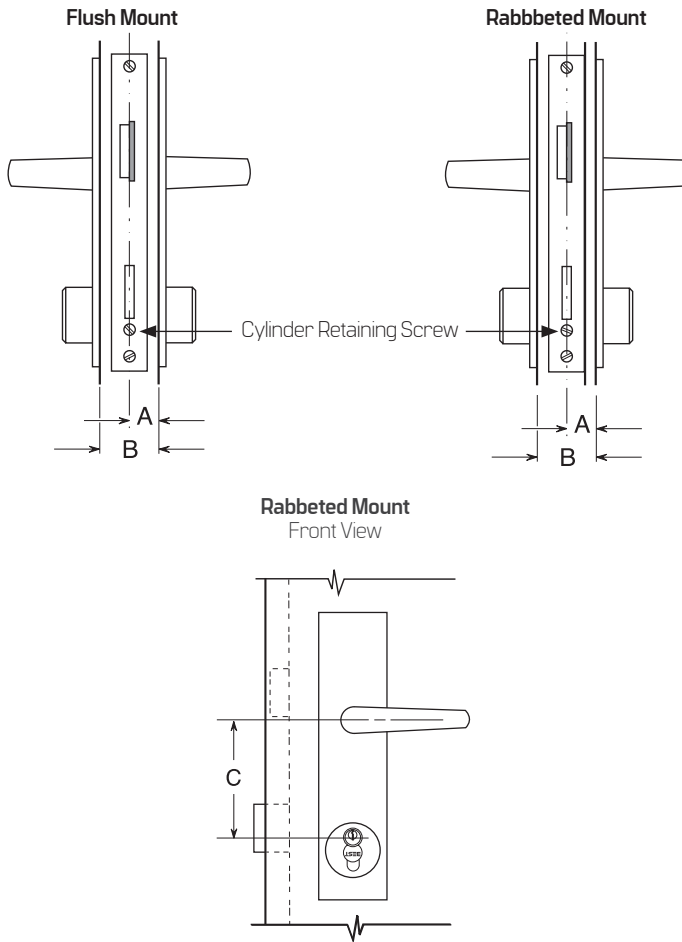
# Eurocylinders

## Special Europrofiles

Mortise locksets from a number of different international manufacturers can be incorporated into your BEST masterkeyed system by replacing the cylinder with a BEST Eurocylinder and 3C European interchangeable core. When ordering, please specify the lock manufacturer's name and their model number. Some Euro profile cylinders will accept BEST standard core rather than the 3C core. Please specify the "E" option when ordering standard cores for use in Eurocylinders.

BEST order nomenclature and several required critical dimensions are listed below.

Please specify, as requested when ordering.



Cylinder Retaining Screw

## Critical Dimensions - Europrofile

"A" - Dimension to center of lockset case. Determined by measuring from set screw location to outside of door face.

"B" - Door thickness.

"C" - Dimension from center of key rotation to center of handle rotation, if other than 72mm. Maximum allowed - 114mm. Minimum allowed - 37mm

## Europrofile - How To Order

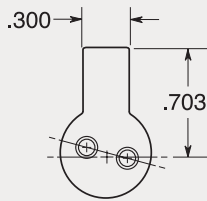
Eurocylinder	"A" Dimension	"B" Dimension	"C" Dimension	Keying Instructions	Finish:
8EE7E5	25mm	45mm	65mm	Keyed Alike	619
					619 - Satin Nickel Plated 626 - Satin Chrome Plated

## Cylinders and Cams

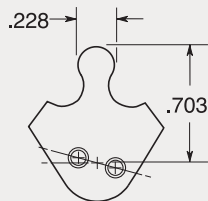
Special cams are available which will operate most mortise locksets, regardless of make or function. With these cams, your masterkeyed system can be extended through the use of replacement cylinders with cams similar to those being used. A few of the cams are illustrated. Other designs are available upon request. All cams available are designed for use on BEST mortise cylinders.

**WARNING**– BEST desires to provide up-to-date and reliable product adaptation uses. However, BEST cannot guarantee the quality of other manufacturers' locksets. In addition, other lock manufacturers' may make changes to their product that affect the operation and compatibility of our core and cylinder adaptation. When this occurs, those manufacturers' have no obligation to notify BEST. If you are using a BEST cylinder in another manufacturers' lockset and find that it does not operate properly for any reason, please contact your local BEST sales office immediately.

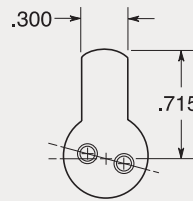
NOTE: Cams not drawn to scale



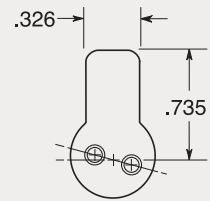
C4  
[when ordered with cylinder, step E, page 2]  
1E - C4 (for cam only)



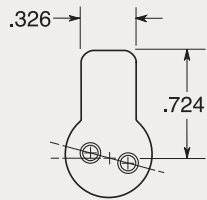
C118  
[when ordered with cylinder, step E, page 2]  
1E - C118 (for cam only)



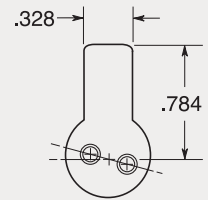
C127  
[when ordered with cylinder, step E, page 2]  
1E - C127 (for cam only)



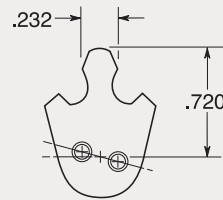
C128  
[when ordered with cylinder, step E, page 2]  
1E - C128 (for cam only)



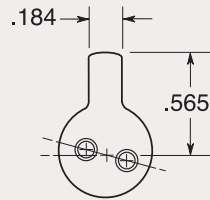
C129  
[when ordered with cylinder, step E, page 2]  
1E - C129 (for cam only)



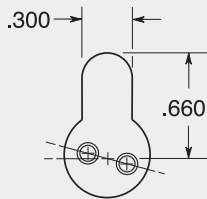
C136  
[when ordered with cylinder, step E, page 2]  
1E - C136 (for cam only)



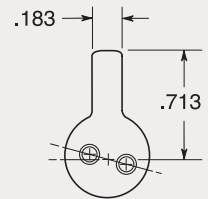
C161  
[when ordered with cylinder, step E, page 2]  
1E - C161 (for cam only)



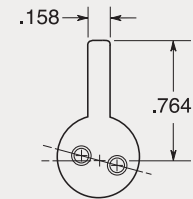
C181  
[when ordered with cylinder, step E, page 2]  
1E - C181 (for cam only)



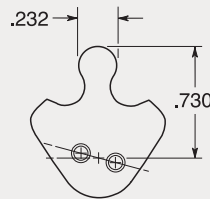
C191  
[when ordered with cylinder, step E, page 2]  
1E - C191 (for cam only)



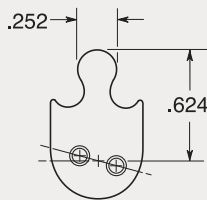
C208  
[when ordered with cylinder, step E, page 2]  
1E - C208 (for cam only)



C210  
[when ordered with cylinder, step E, page 2]  
1E - C210 (for cam only)



C258  
[when ordered with cylinder, step E, page 2]  
1E - C258 (for cam only)



C265  
[when ordered with cylinder, step E, page 2]  
1E - C265 (for cam only)

NOTE: While certain functions may require a different cam, in general the following cams will work for these common applications.

- |                               |                                    |
|-------------------------------|------------------------------------|
| C4 – Standard cam             | C191 – BEST 30H mortise (latch)    |
| C127 – Arrow mortise (latch)  | C208 – Sargent                     |
| C161 – Corbin-Russwin mortise | C258 – BEST 45H mortise            |
| Arrow mortise (deadbolt)      | C258 – BEST 30H mortise (deadbolt) |
| C181 – Adams Rite             | C265 – Schlage L mortise           |



## Special Rings

### Specifications – 11E-R7

To be used with BEST 1E series (1 5/32") Cylinders

**Dimensions** – inside diameter: 15/32", outside diameter: 15/16" length - see chart below

**Material** – solid brass or bronze

**Finish** – available in 605, 606, 612, 613, 625 and 626

Overall Length Available	Nomenclature if Ordered With Cylinder (see step "F" page 2)	Nomenclature if Ordered Without Cylinder
1/8"	R702	1E-R702
3/16"	R703	1E-R703
1/4"	R704	1E-R704
5/16"	R705	1E-R705
3/8"	R706	1E-R706
7/16"	R707	1E-R707
1/2"	R708	1E-R708
9/16"	R709	1E-R709
5/8"	R710	1E-R710
11/16"	R711	1E-R711
3/4"	R712	1E-R712



### Specifications – 1E-R8

To be used with BEST 1E series (1 5/32") Cylinders.

**Dimensions** – inside diameter: 15/32" 32", inside rim counter-bored to protect cylinder head. Outside diameter: tapered 1-1/2" to 1-29/32" length - see chart below

**Material** – solid brass or bronze

**Finish** – available in 605, 606, 612, 613, 625 and 626

Overall Length Available	Nomenclature if Ordered With Cylinder (see step "F" page 2)	Nomenclature if Ordered Without Cylinder
1/8"	R802	1E-R802
3/16"	R803	1E-R803
1/4"	R804	1E-R804
5/16"	R805	1E-R805
3/8"	R806	1E-R806
7/16"	R807	1E-R807
1/2"	R808	1E-R808
9/16"	R809	1E-R809
5/8"	R810	1E-R810
11/16"	R811	1E-R811
3/4"	R812	1E-R812
13/16"	R813	1E-R813
7/8"	R814	1E-R814
15/16"	R815	1E-R815
1"	R816	1E-R816



# Utility Cylinder Lock

## Specifications

The 5E utility cylinder lock fits standard 3/4" diameter cylinder installations such as wood or metal desks, file cabinets, vending machines, utility and storage cabinets, elevators and security alarm control panels. The complete 5E assembly includes a combined 3/4" cylinder with cam, hex nut, lock washer and spacer collar.

**Maximum mounting surface thickness** – 5E utility cylinder locks may be mounted on surfaces with the following maximum thickness: 5E6: 11/16", 5E7: 27/32"

**Keying** – May be keyed individually, keyed alike or masterkeyed into a new or existing Best standard masterkeyed security system.

**Service** – 5E cylinders may be recombined and serviced onsite. Special service equipment is available (see Service Equipment Section of Best catalog).

**Finish** – 626 satin chrome only.



## 5E Combining and Service Accessories Nomenclature Item

Nomenclature	Item	Nomenclature	Item
A-8049	5E 3/4" Hex Nut	5ED254	5E 3/4" metal punch and die set (slab)
A-21068	Washer for cylinder body head	5ED262	5E cap depressor
A-4845	Cam Screws	5ECP6	Slide cap - 6 pin
A-4045	Lock washer for cam screws	5ECP7	Slide cap - 7 pin
5ED261	5E capping block	5ES1	5E springs
5ED253	5E thread tap - 3/4" x #24		

**Refer To The Following Procedure When Ordering. See Order Example At Bottom Of Last Page.**

### A – Cam Motion and Degree of Rotation

When ordering 5E cylinders, specify the cam motion type and degree of rotation. Available cam motion types are listed below. Different type motions are limited to different degrees of key rotations.

**Type A** – Direct motion - Key and cam rotation is direct. Key may be removed in locked position only. Motion is 360 degrees right or left.

**Type B** – Limited motion - Key and cam rotation is direct. Key may be removed in locked position only. Motion is limited to 90 degrees or 180 degrees right or left.

**Type C** – Lost motion. Cam rotates 90 degrees right or left. Key rotates 360 degrees. Key removal with cam in locked or unlocked position.

**Type D** – Throw member drive - Key and drive motion is direct. Key may be removed in locked position only. Motion is 360 degrees right or left.

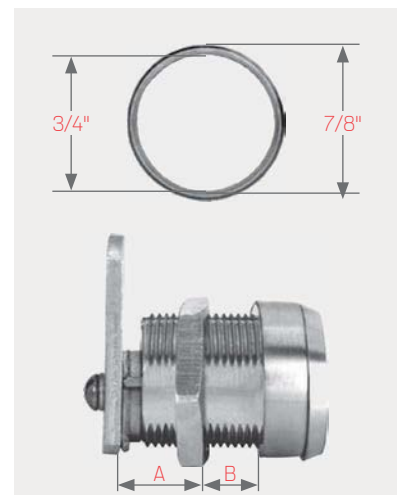
### B – Determine Ring Length

A spacer collar may be required to position the cam for proper lock operation. The spacer collar is installed between the 5E cylinder head and the mounting surface. To determine the proper length of the spacer collar, add together: the desired distance from the cam to the inside of the mounting surface ("A" above) to the measured thickness of the mounting surface ("B" above). Then, subtract this total from: 31/32" when installing a 5E6, or 11/8" when installing a 5E7. The remainder is the collar length, which is illustrated.

To properly order spacer collars, designate the following nomenclature for the length desired:

### 5E Spacer Collar Length Chart

Length	Nomenclature	To order separately	Length	Nomenclature	To order separately
1/16"	R701	5E-R701	5/16"	R705	5E-R705
1/8"	R702	5E-R702	3/8"	R706	5E-R706
3/16"	R703	5E-R703	7/16"	R707	5E-R707
1/4"	R704	5E-R704	1/2"	R707	5E-R707



# 5E Series

## C – Select Proper Cam Type

### Cam

Cams for 5E cylinders are available with a number of variations to suit the particular application as required. Two major variations that must be designated on the order are: A.) The cam type, and B.) The cam length.

### Cam Types

The following cam types are available for the Best 5E cylinder. Other designs are available upon request. [See page 8]

### Cam Types

C1– Straight cam mounted for fixed motion operation (used in conjunction with type "A" and type "B" motions). To order cam separately, designate 5E-C1 and length from code chart at option D.

C3– Straight cam mounted for lost motion operation (used in conjunction with type "C" cam motions). To order cam separately, designate 5E-C3 and length from code chart at option D.

2A– Offset cam (inward mount) for lost motion operation (used in conjunction with type "A" and type "B" motions). To order cam separately, designate 5E-C2A and length from code chart at option D.

2B– Offset cam (outward mount) for fixed motion operation (used in conjunction with type "A" and type "B" motions). To order cam separately, designate 5E-C2B and length from code chart at option D.

4A– Offset cam (inward mount) for lost motion operation (used in conjunction with type "C" cam motions). To order cam separately, designate 5E-C4A and length from code chart at option D.

4B– Offset cam (outward mount) for lost motion operation (used in conjunction with type "C" cam motions). To order cam separately, designate 5E-C4B and length from code chart at option D.

D– Direct throw member drive and tailpiece. Throw pins engage cylinder to flat spindle tailpiece. The standard flat spindle tailpiece is 11/16" and may be cut to length desired. To order spindle separately, designate 5E-D.



## D – Determine Cam Length

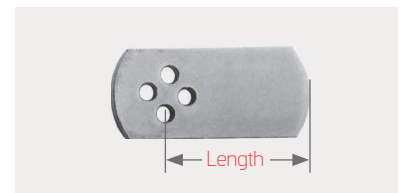
Cam length is determined by measuring from center of the cam rotation to the tip of the cam.

### Straight Cam

Length	Code #	Length	Code #	Length	Code #
5/8"	10	1-1/4"	20	3"	48
3/4"	12	1-1/2"	24	3-1/2"	56
7/8"	14	2"	32		
1"	16	2-1/2"	40		

### Offset Cam

Length	Code #	Length	Code #
1-1/16"	17	2-5/16"	37
1-5/16"	21	2-13/16"	45
1-13/16"	29		

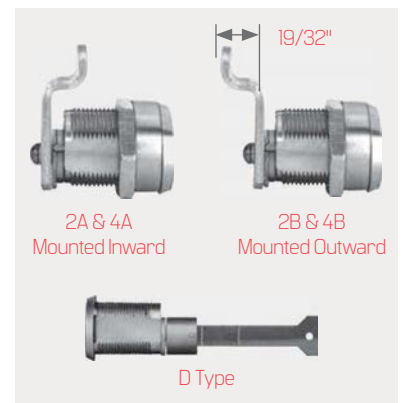
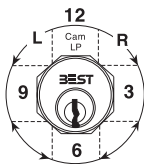


## E – Cam Mounting Position and Cam Direction

### Direct Throw Member Drive and Tailpiece

Cams may be mounted in one of four "clock" positions as pictured below. Designate cam mounting and rotation direction (right-"R" left-"L"). Key is only removable in the locked position, unless ordering type C. (Available in locked and unlocked positions.)

3 o'clock = 3
6 o'clock = 6
9 o'clock = 9
12 o'clock = 12



5E – How To Order

5E	7	A	1	C	R708	4B	20	12	R	90	626
Series	Lock Body	Keyway	Combining Code	Cam Motion	Ring Length	Cam Type	Cam Length	Mounting Position	Cam Directionyp	Degree of Rotationyp	Finishyp
5E-3/4"	6-6 pin 7-7 pin	designate specific keyway (A,E etc.) see note page 10.	1- uncomb. 2-A2 system 3-A3 system 4-A4 system	A-direct B-limited C-lost D-throw member drive (see A page 10)	R701- 1/16" R702- 1/8" R703- 3/16" R704- 1/4" R705- 5/16" R706- 3/8" etc (see B page 10)	C1-fixed straight 2A-fixed offset in 2B-fixed offset out C3-lost motion 4A-lost motion offset in 4B-lost motion offset out D-direct (see C page 11)	10- 5/8" 12- 3/4" 14- 7/8" 16- 1" etc, in 1/16" of an inch (see D page 11)	3- 3 o'clock 6- 6 o'clock 9- 9 o'clock 12-12 o'clock (see E page 11)	R- right L- left (see E page 11)	90- 90° 180-180° 360- 360° (see A page 10)	626 standard

Series/Description	Function or Length Code	
1-5/32" Diameter Cylinders		
12E	Standard rim	2
	Standard mortise	4
1E	Tapered mortise	6
	Dummy rim / mortise (0-pin only)	02/04
1EA	Std turn knob rim/ ADA mortise (6-pin only)	A2/A4
1EA/ADA	Rim turn knob (6 pin only)	A1
1EB	Rim/mortise with dust cover	B2/B4
1EC	Square head mortise	C4
1ED	Slabbed direct motion (7-pin only)	D4
1EE	Slabbed lost motion (7-pin only) (Specify RH or LH hand.)	E4
1EF	Standard lost motion (Note 1)	F4
1EG	Hotel shifting cam	G4
1EJ	High security UL-listed (7-pin only **)	J4
1EK	High security Non-UL (7-pin only**)	K4
3E	Mortise-1-1/2" diameter (7-pin**)	4

\*\* Only Standard and CORMAX M Series keying available on 1EJ and 1EK cylinders.

For questions about ordering and to be sure you get the right configuration for your needs, contact your BEST dormakaba sales representative.  
6161 East 75th Street, Indianapolis, IN 46250 USA | 855-365-2407 | bestaccess.com