

Edco HSP-121A Series

External Mount 120 VAC Protection

■ Surge Protection
For *Business-Critical Continuity™*

The Edco HSP-121A is a UL 1449 Listed, three-stage power line protector. Features include noise filtering, NEMA-4X enclosure, common mode and normal mode protection. In addition, the HSP-121A can be installed using conduit fittings and can be mounted inside or outside of electronic enclosures.

The Edco HSP-121A offers a replaceable fuse designed to remove the load (protected equipment) from the line if the unit is either overloaded or the internal protection fails. This feature prevents surges from entering equipment through a failed protector, not noticed by the user.



General Technical Specifications

	Edco HSP121A
Operating Voltage	120 VAC
Clamping Voltage	325 VAC
Operating Current	15 A
Peak Surge Current	13kA / Mode, 26kA / Phase
Operating Frequency	47-63 Hz
EMI Attenuation	40 dB
SPD Technology	MOVs w/ L-C Filter
Modes of Protection	L-N, L-G, N-G
Status Indication	Power On & MOV's functional
Connection Type	Term blk w/ comp. screws
Operating Temperature	-40 C to +85 C
Dimensions (Inches)	2.95H x 4.95W x 3L
Weight	10 oz
Certifications	UL 1449 Listed

Features

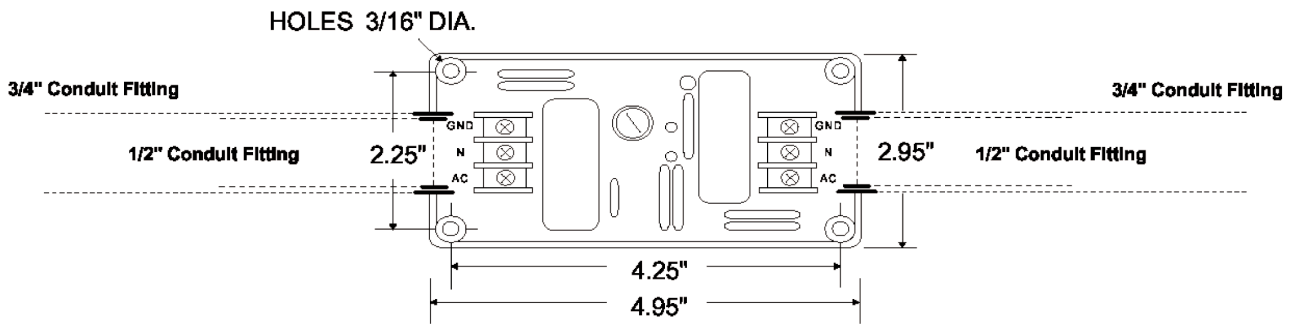
- Three-Stage Series Hybrid
- Polycarbonate NEMA 4x Enclosure
- 1/2" or 3/4" Punchouts for nipple conduit connectors
- Replaceable Fuse
- Operational Indicator Light
- Terminal Screw Connections
- UL 1449 Listed

Installation

1. Mount Edco HSP-121A inside of an electronic rack/enclosure or outside via closed-nipple or conduit connections.
2. Make sure wiring from power sources properly connects to LINE side of HSP.
Wiring from protected equipment must properly connect to EQUIP side of HSP.
3. Indication of internal failure:
 - a. Indicator will extinguish
 - b. Fuse blown will disconnect load from power source.
4. Connect only to 120 VAC, 15 Amp max., single-phase, three-wire circuit (L, N, G).

WARNING: For continued protection against risk of fire, replace only with same type rating of fuse (3AB, 15A/250V).

Dimensions



Emerson Network Power.
The global leader in enabling
Business-Critical Continuity™.

■ AC Power
■ Connectivity
■ DC Power

■ Embedded Computing
■ Embedded Power
■ Monitoring

■ Outside Plant
■ Power Switching & Control
■ Precision Cooling

■ Racks and Integrated Cabinets
■ Services
■ Surge Protection

Emerson Network Power Contact information

Headquarters

Surge Protection
100 Emerson Parkway
Binghamton, NY 13905
T: (607) 721-8840
T: (800) 288-6169
F: (607) 722-8713
E: contactsurge@emerson.com

www.emersonnetworkpower.com

