

\* Try these other fine ELK products \*

**Magic Module Series**

- MM443** Magic Module, 4 Input, 4 Output, Programmable
- MM447** Automation Controller w/Voice, Caddx Interface
- MV480** Recordable Voice Module, 400 Channels
- MKHOME1** Home Control Kit for Caddx NX Controls
- MK400** Starter Kit, Includes MM443 & MK485
- MK485** Programming Kit, MB485, Cables, Software
- MK410** X-10® Transceiver Kit, Programmed MM443
- MK420** iButton™ Access Kit w/ MM443, MA100, MA101
- MA100** iButton™ 'Touchkey' Reader & Interface Pack
- MA101** iButton™ 'Touchkeys', 10 pcs w/keyring holders
- MA290** Proximity / Wiegand Data Interface to MM443
- MB485** Data Bus Interface, RS232 to RS485
- MC100** Clock / Calendar Module for MM443
- ML8** Link Interface to Caddx NX Controls
- MT100** Temperature Sensor Module for MM443
- MM220** Magic Module, 2 Input, 2 Output, Programmable

**Rust Free Sirens / Speakers**

- 1RT** Speaker & Stainless Steel Enclosure
- 150RT** Siren & Stainless Steel Enclosure
- 155RT** Voice Siren in Stainless Steel Box

**Speakers & Sirens**

- 44** Speaker, 30 W, 8 Ohm Compact Horn
- 45** Siren, Compact Horn, 118db
- 55** Voice Siren, Compact Horn
- M120** Siren, Single Tone, 107db, Mini Horn
- SP15** Speaker, 15 watt, Small Horn
- SP30** Speaker, 30 watt, Horn
- SP35** Speaker, 20 watt, Interior
- SP40** Speaker, 40 watt, Horn
- SS15** Siren, Dual Tone, 110db, Horn
- SS30** Siren, Dual Tone, 120db, Horn
- SS36** Siren, Dual Tone, 105db, Interior

**ECHO™ Sirens & Speakers**

- 73** ECHO Speaker, 20 Watt, Interior
- 74** ECHO Dual Tone Siren, Interior
- 75** ECHO Voice Siren, Interior
- 870** ECHO Speaker, Self Amplified

**Siren & Voice Drivers**

- 100** High Performance Siren Driver
- 110** Voice Siren Driver, English & Spanish
- 120** Recordable Voice Module and Siren
- 124** Recordable Voice Module, 4 Channels

**Surge Suppressors**

- 950** Surge Suppressor, Phone & Power Line
- 951** Surge Suppressor, Phone - Single Line
- 955** Surge Suppressor, Phone - Dual Line

**Relay Modules**

- 912** Compact Relay, 12 Vdc, SPDT
- 912B** Heavy Duty Compact Relay, 12/24 Vdc, SPDT
- 924** Sensitive Relay, 12/24 Vdc, DPDT
- 941** Alarm Output Director
- 960** Delay Timer Relay, 1 sec. to 60 min.

**Power Products**

- 1240** Battery, Lead Acid, 12v, 5Ah
- 1270** Battery, Lead Acid, 12v, 8Ah
- 12100** Battery, Lead Acid, 12v, 12Ah
- 12170** Battery, Lead Acid, 12v, 18Ah
- 12250** Battery, Lead Acid, 12v, 25Ah
- P112** 12 Volts DC, 1 Amp Power Supply w/Enclosure
- P124** 24 Volts DC, 800mA Power Supply w/Enclosure
- P1216** 12 Volts DC, 1.5 Amp Power Supply
- P412** 12 Volts DC, 4 Amp Power Supply
- P624** Power Supply & Battery Charger
- PD9** Power Distribution Module
- 965** Low Battery Cutoff and Power Switch
- TRG1640** Transformer, 16.5VAC @ 40 VA
- TRG2440** Transformer, 24VAC @ 40 VA

**Accessories**

- 129** Computer Sound Card Interface
- 800** Audio Amplifier, 10 Watts
- 900-2** "B" Connectors, Unfilled, 500 pcs
- 902-2** "B" Connectors, Gel filled, 500 pcs
- 980** Telephone Line Fault Monitor
- 998** Warning Alarm System Decals
- 999** Double Sided Tape
- SL1** Strobe Light, 4 colors available
- WK1** Wall Mount Kit for SL1 Strobes

# Low Battery Cutoff & Master Power Switch ELK-965

**APPLICATION:**

The **ELK-965** is a Low Battery Cutoff Module combined with a Master Power Switch. It is designed to work with virtually any 12 Volt D.C. control panel or power supply. In the event of an extended power outage, the ELK-965 sensing circuit automatically disconnects the battery when the voltage falls below 10 Volts.



## Low Battery Cutoff and Master Power Switch ELK-965



In the event of an extended power outage, the ELK-965 sensing circuit automatically disconnects the battery when the voltage falls below 10 Volts. This helps to prevent "deep discharging" of the battery. The convenient power switch permits the installer or user to easily disconnect both the Battery and the AC power from the control or power supply.

**FEATURES:**

- Works with most 12 Volt DC Control Panels.
- Automatic Low Battery Cutoff Protects Battery From Deep Discharge.
- AC and Battery On / Off Power Switch.
- Visual LED Power Indicator.
- Installer Friendly - Small Compact Size.
- Includes AC Wires & Battery Leads.
- Fits Standard Snap Track.
- Includes Double Sided Mounting Tape.
- Lifetime Limited Warranty, call for details.
- Packed In Reusable Poly Storage Box.

**SPECIFICATIONS:**

- Size: 1.75" X 2.185" (44.5mm X 55.5mm).
- Relay Contacts: 7 Amp @ 28 VDC.
- On / Off Power Switch: DPDT Slide Type.
- AC Power Leads: 18AWG, 18" Length.
- Maximum Transformer Size: 18 VAC.
- Battery Leads: 18 AWG, 16" Length.
- Low Battery Cutoff Voltage: ~ 10 Volts D.C.

Features or Specifications subject to change without notice.



**828-397-4200** Voice  
**828-397-4415** Fax  
<http://www.elkproducts.com>  
 email: [info@elkproducts.com](mailto:info@elkproducts.com)  
 PO Box 100 • Hwy. 70W • Hildebran, NC 28637 • USA

**Instructions Printed On Inside**

For more information contact your local Distributor or:  
 ELK PRODUCTS, INC **828-397-4200** FAX 828-397-4415  
<http://www.elkproducts.com> Email: [info@elkproducts.com](mailto:info@elkproducts.com)  
 05/02

# ELK-965 INSTRUCTIONS

The ELK-965 is extremely useful for adding a Master Power On / Off switch and an automatic low battery cutoff to virtually any 12 Volt D.C. Control Panel or Power Supply.

## Installation

1. Disconnect AC transformer and battery from the Control or Power supply.
2. Turn off the Power Switch on the ELK-965.
3. Connect blue wires from the ELK-965 to the AC input of the Control or Power Supply.
4. Connect red and black battery wires from the control or power supply to the male spade lugs on the ELK-965.
5. Connect AC transformer wires to the terminals marked AC IN on the ELK-965.
6. Connect red and black battery wires from the ELK-965 to the 12 Volt D.C. standby battery.

**Note:** The Control or Power Supply cannot be powered up from the battery only because the ELK-965 battery cutoff relay requires AC power to be on and the Control or Power Supply charging current to be verified before it will energize.

## Operation

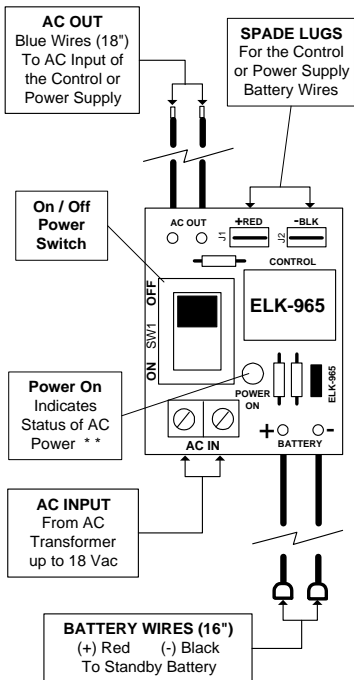
In the event of an AC power outage the battery continues to provide power until its voltage level drops to approximately 10 Volts. The ELK-965 will then disconnect the battery, thus shutting off the DC power to the device and saving the battery from a harmful deep discharge condition. The battery remains disconnected until the AC power is restored.

The On / Off switch allows both the AC and DC (battery) power to be turned off to a control or power supply. The green Power On LED primarily indicates the status of the incoming AC power, however it can also provide other useful troubleshooting indications.

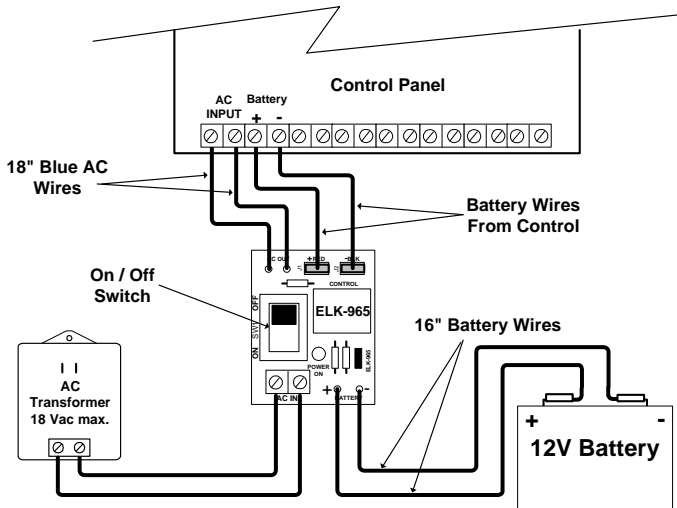
\*\* Green "Power On" LED Indications

LED On = AC Power is On and the red and black battery wires from control are connected.  
 LED OFF = AC Power is Off or the red and black wires from control are both disconnected.  
 LED Dim = AC Power On but one of the red or black wires from control is disconnected.

**Caution:** The ELK-965 cannot determine the status or condition of a battery. This functionality would have to be provided by the control panel or power supply.



## Control Panel Hookup



## Power Supply Hookup

