

*** Try these other fine ELK products ***

M1 Cross Platform Control

M1 (Std) Integrates Security, Lighting, Telephone, and Energy Management. Powerful "Rules" based automation capabilities. Up to 208 Zones.

M1G (Gold) More powerful version of M1 with more expansion and capabilities.

- M1KP** LCD Keypad, 2 x 16 Character, backlit
- M1XIN** 16 Zone (input) expander. Up to 12 per sys.
- M1XOVR** 16 Output expander. 8 voltage/8 Relays
- M1XOV** 16 Output expander. All low voltage pins
- M1RB** 8 relay board for use w/Ctrl,XOVR, or XOV
- M1DBH** Data Bus wiring hub for multiple homeruns
- M1XEP** Ethernet port expander/interface
- M1XSP** Serial port expander for additional serial ports.

Magic Module Series

- MM220** 2 Input, 2 Output, Programmable Controller
- MM443** 4 Input, 4 Output, Programmable Controller
- MB485** Data Bus Interface, RS232 to RS485

Rust Free Sirens / Speakers

- 1RT** Speaker & Stainless Steel Enclosure
- 150RT** Siren & Stainless Steel Enclosure

Speakers & Sirens

- 44** Speaker, 30 W,8 Ohm Compact Horn
- 45** Siren, Compact Horn, 118db
- M120** Siren, Single Tone, 107db, Mini Horn
- SP15** Speaker, 15 watt, Small Horn
- SP30** Speaker, 30 watt, Horn
- SP35** Speaker, 20 watt, Interior
- SP40** Speaker, 40 watt, Horn
- SS15** Siren, Dual Tone, 110db, Horn
- SS30** Siren, Dual Tone, 120db, Horn
- SS36** Siren, Dual Tone, 105db, Interior

ECHO™ Sirens & Speakers

- 73** ECHO Speaker, 20 Watt, Interior
- 74** ECHO Dual Tone Siren, Interior
- 75** ECHO Voice Siren, Interior
- 870** ECHO Speaker, Self Amplified

Siren & Voice Drivers

- 100** High Performance Siren Driver
- 110** Voice Siren Driver, English & Spanish
- 120** Recordable Voice Module and Siren
- 124** Recordable Voice Module, 4 Channels

Surge Suppressors

- 950** Surge Suppressor, Phone & Power Line
- 951** Surge Suppressor, Phone - Single Line
- 955** Surge Suppressor, Phone - Dual Line

Relay Modules

- 912** Compact Relay, 12 Vdc, SPDT
- 912B** Heavy Duty Compact Relay, 12/24 Vdc, SPDT
- 924** Sensitive Relay, 12/24 Vdc, DPDT
- 941** Alarm Output Director
- 960** Delay Timer Relay, 1 sec. to 60 min.

Power Products

- 1250** Battery, Lead Acid, 12v, 5Ah
- 1280** Battery, Lead Acid, 12v, 8Ah
- P112** 12 Volts DC, 1 Amp Power Supply w/Enclosure
- P124** 24 Volts DC, 800mA Power Supply w/Enclosure
- P1216** 12 Volts DC, 1.5 Amp Power Supply
- P412** 12 Volts DC, 4 Amp Power Supply
- P624** Power Supply & Battery Charger
- PD9** Power Distribution Module
- 965** Low Battery Cutoff and Power Switch
- TRG1640** Transformer, 16.5VAC @ 40 VA
- TRG2440** Transformer, 24VAC @ 40 VA

Accessories

- 129** Computer Sound Card Interface
- 800** Audio Amplifier, 10 Watts
- 900-2** "B" Connectors, Unfilled, 500 pcs
- 902-2** "B" Connectors, Gel filled, 500 pcs
- 980** Telephone Line Fault Monitor
- 999** Double Sided Tape
- SL1** Strobe Light, 4 colors available
- WK1** Wall Mount Kit for SL1 Strobes

For more information contact your local Distributor or:
 ELK PRODUCTS, INC 828-397-4200 FAX 828-397-4415
<http://www.elkproducts.com> Email: info@elkproducts.com

Master Power Switch ELK-964

APPLICATION:

The **ELK-964** connects in series with the AC and DC (battery) power input of virtually any low voltage device. It features a Power Indicator LED and a single slide switch that allows the power to be turned on or off for convenience and servicing.



Master Power Switch ELK-964



The ELK-964 Master Power Switch permits the installer or user to easily disconnect both the Battery and the AC power from the control or power supply.

FEATURES:

- Works with virtually any low voltage device.
- AC and Battery On / Off Power Switch.
- Visual LED Power Indicator.
- Installer Friendly - Small Compact Size.
- Includes AC Wires & Battery Leads.
- Fits Standard Snap Track.
- Includes Double Sided Mounting Tape.
- Lifetime Limited Warranty, call for details.
- Packed In Reusable Poly Storage Box.

SPECIFICATIONS:

- Size: 1.75" X 2.185" (44.5mm X 55.5mm).
- On / Off Power Switch: DPDT Slide Type.
- AC Power Leads: 18AWG, 18" Length.
- Maximum Transformer Size: 18 VAC.
- Battery Leads: 18 AWG, 16" Length.

Features or Specifications subject to change without notice.

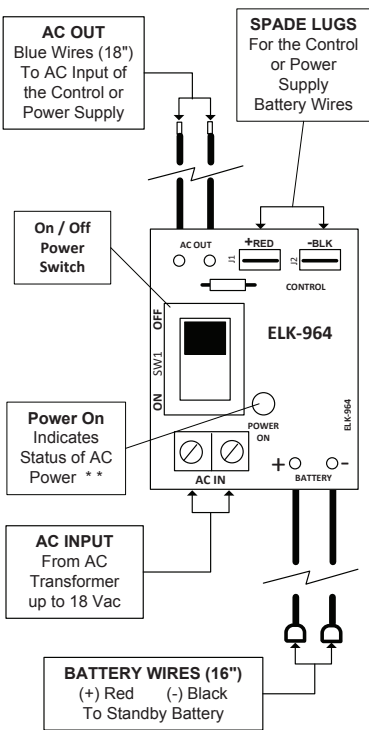


828-397-4200 Voice
 828-397-4415 Fax
<http://www.elkproducts.com>
 email: info@elkproducts.com

PO Box 100 • Hwy. 70W • Hildebran, NC 28637 • USA

Instructions Printed On Inside

ELK-964 INSTRUCTIONS



The ELK-964 is extremely useful for adding a Master Power On / Off switch to virtually any 12 Volts D.C. Control Panel or Power Supply.

Installation

1. Disconnect AC transformer and battery from the Control or Power supply.
2. Turn off the Power Switch on the ELK-964.
3. Connect blue wires from the ELK-964 to the AC input of the Control or Power Supply.
4. Connect red and black battery wires from the control or power supply to the male spade lugs on the ELK-964.
5. Connect AC transformer wires to the terminals marked AC IN on the ELK-964.
6. Connect red and black battery wires from the ELK-964 to the 12 Volt D.C. standby battery.

Note: The Power indicator LED will not illuminate unless all connections are complete and the power switch is On.

Operation

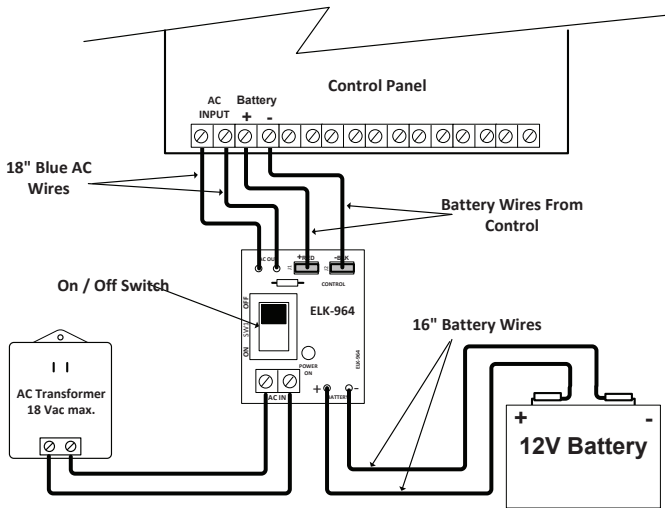
The On / Off switch allows both the AC and DC (battery) power to be turned off to a control or power supply. The green Power On LED primarily indicates the status of the incoming AC power, however it can also provide other useful troubleshooting indications.

** Green "Power On" LED Indications

- LED On = AC Power is On and the red and black battery wires from control are connected.
- LED OFF = AC Power is Off or the red and black wires from control are both disconnected.
- LED Dim = AC Power On but one of the red or black wires from control is disconnected.

Caution: The ELK-964 cannot determine the status or condition of a battery. This functionality would have to be provided by the control panel or power supply.

Control Panel Hookup



Power Supply Hookup

