

* Try these other fine ELK products *

Magic Module Series

- MM443** MagicModule, 4 Input, 4 Output, Programmable
- MM447** Automation Controller w/Voice, Caddx Interface
- MV480** Recordable Voice Module, 400 Channels
- MKHOME1** Home Control Kit for Caddx NX Controls
- MK400** Starter Kit, Includes MM443 & MK485
- MK485** Programming Kit, MB485, Cables, Software
- MK410** X-10® Transceiver Kit, Programmed MM443
- MK420** iButton™ Access Kit w/ MM443, MA100, MA101
- MA100** iButton™ 'Touchkey' Reader & Interface Pack
- MA101** iButton™ 'Touchkeys', 10 pcs w/keyring holders
- MA290** Proximity / Wiegand Data Interface to MM443
- MB485** Data Bus Interface, RS232 to RS485
- MC100** Clock / Calendar Module for MM443
- ML8** Link Interface to Caddx NX Controls
- MT100** Temperature Sensor Module for MM443
- MM220** MagicModule, 2 Input, 2 Output, Programmable

Rust Free Sirens / Speakers

- 1RT** Speaker & Stainless Steel Enclosure
- 150RT** Siren & Stainless Steel Enclosure
- 155RT** Voice Siren in Stainless Steel Box

Speakers & Sirens

- 44** Speaker, 30 W, 8 Ohm Compact Horn
- 45** Siren, Compact Horn, 118db
- 55** Voice Siren, Compact Horn
- M120** Siren, Single Tone, 107db, Mini Horn
- SP15** Speaker, 15 watt, Small Horn
- SP30** Speaker, 30 watt, Horn
- SP35** Speaker, 20 watt, Interior
- SP40** Speaker, 40 watt, Horn
- SS15** Siren, Dual Tone, 110db, Horn
- SS30** Siren, Dual Tone, 120db, Horn
- SS36** Siren, Dual Tone, 105db, Interior

ECHO™ Sirens & Speakers

- 73** ECHO Speaker, 20 Watt, Interior
- 74** ECHO Dual Tone Siren, Interior
- 75** ECHO Voice Siren, Interior
- 870** ECHO Speaker, Self Amplified

Siren & Voice Drivers

- 100** High Performance Siren Driver
- 110** Voice Siren Driver, English & Spanish
- 120** Recordable Voice Module and Siren
- 124** Recordable Voice Module, 4 Channels

Surge Suppressors

- 950** Surge Suppressor, Phone & Power Line
- 951** Surge Suppressor, Phone - Single Line
- 955** Surge Suppressor, Phone - Dual Line

Relay Modules

- 912** Compact Relay, 12 Vdc, SPDT
- 912B** Heavy Duty Compact Relay, 12/24 Vdc, SPDT
- 924** Sensitive Relay, 12/24 Vdc, DPDT
- 941** Alarm Output Director
- 960** Delay Timer Relay, 1 sec. to 60 min.

Power Products

- 1240** Battery, Lead Acid, 12v, 5Ah
- 1270** Battery, Lead Acid, 12v, 8Ah
- 12100** Battery, Lead Acid, 12v, 12Ah
- 12170** Battery, Lead Acid, 12v, 18Ah
- 12250** Battery, Lead Acid, 12v, 25Ah
- P112** 12 Volts DC, 1 Amp Power Supply w/Enclosure
- P124** 24 Volts DC, 800mA Power Supply w/Enclosure
- P1216** 12 Volts DC, 1.5 Amp Power Supply
- P412** 12 Volts DC, 4 Amp Power Supply
- P624** Power Supply & Battery Charger
- PD9** Power Distribution Module
- 965** Low Battery Cutoff and Power Switch
- TRG1640** Transformer, 16.5VAC @ 40 VA
- TRG2440** Transformer, 24VAC @ 40 VA

Accessories

- 129** Computer Sound Card Interface
- 800** Audio Amplifier, 10 Watts
- 900-2** "B" Connectors, Unfilled, 500 pcs
- 902-2** "B" Connectors, Gel filled, 500 pcs
- 980** Telephone Line Fault Monitor
- 998** Warning Alarm System Decals
- 999** Double Sided Tape
- SL1** Strobe Light, 4 colors available
- WK1** Wall Mount Kit for SL1 Strobes

For more information contact your local Distributor or:
 ELK PRODUCTS, INC 828-397-4200 FAX 828-397-4415
<http://www.elkproducts.com> Email: info@elkproducts.com
 05/02

Heavy Duty Relay

- ELK-912B (Single)
- ELK-912B-6 (Six Pack)



12 or 24 Volts D.C. Activation

APPLICATION:

The ELK-912B is a heavy duty relay module featuring 12 or 24 VDC selectable operation, SPDT Form "C" contacts, low current draw, voltage input LED, and high quality cross-head terminals.



Heavy Duty 12 or 24 VDC Relay

- ELK-912B (Single)  7 62158 10912 6
- ELK-912B-6 (Six Pack)  7 62158 60912 1

FEATURES:

- High Quality Cross-head Terminals.
- 12 or 24 Volts D.C. Selectable Operation.
- Voltage Input LED.
- Heavy Duty Contact Rating.
- SPDT Form "C" Contacts.
- Low Current Draw.
- Great For General Purpose Switching.
- Small, Compact Size.
- Includes Double Sided Mounting Tape.
- Packed in Reusable Poly Storage Box.
- Lifetime Limited Warranty, call for details

SPECIFICATIONS:

- Operating Voltage: 12 or 24 Volts DC Nominal.
- Current Draw @ 12V: 35 milliamps.
- Min. Pull-in voltage: 9VDC on 12V setting.
- Current Draw @ 24V: 29.5 milliamps.
- Min. Pull-in voltage: 19VDC on 24V setting.
- Diode Protection Across Relay Coil.
- Contact Ratings:
 7 Amps @ 30 Volts D.C.
 10 Amps @ 125 Volts A.C.
- Size: 2" X1.5" (51mm X 38mm) Ea.

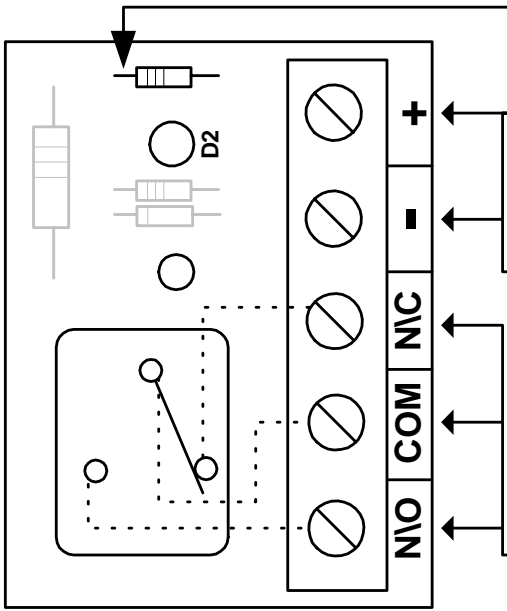
Features or Specifications subject to change without notice.



828-397-4200 Voice
 828-397-4415 Fax
<http://www.elkproducts.com>
 email: info@elkproducts.com
 PO Box 100 • Hwy. 70W • Hildebran, NC 28637 • USA

Instructions Printed On Inside

ELK-912B APPLICATIONS AND WIRING DIAGRAMS



ELK-912B

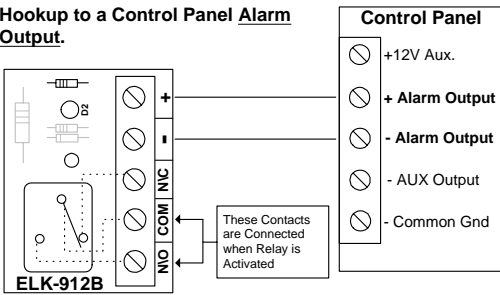
For 24 Volt Operation cut this jumper and apply **24 Volts DC** to the Power Terminals.

Power Terminals: (trigger input)
Relay Coil is energized by 12VDC @35mA or 24VDC @30mA when the 24V Operation Jumper is Cut

Relay Contacts:
When Relay is Off (no trigger) COM and N/C are internally connected.

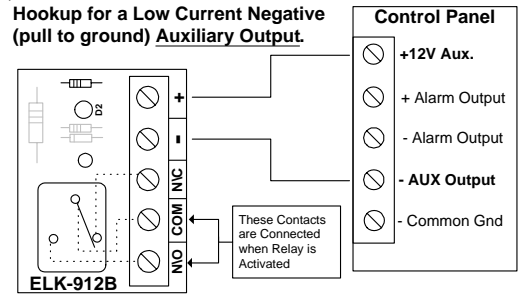
When Relay is On (triggered) COM and N/O are internally connected.

Hookup to a Control Panel Alarm Output.



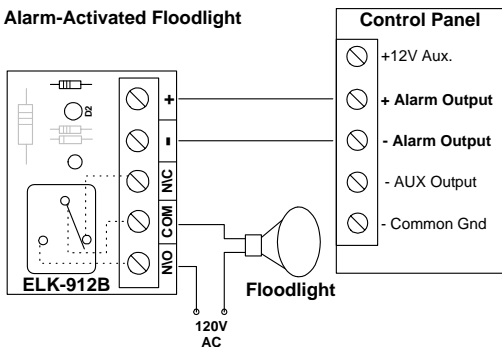
Example 1: This example works for a positive or negative switching alarm output. Connect the ELK-912B "+" terminal to the alarm output positive terminal, connect the ELK-912B "-" terminal to the alarm output negative terminal.

Hookup for a Low Current Negative Auxiliary Output.



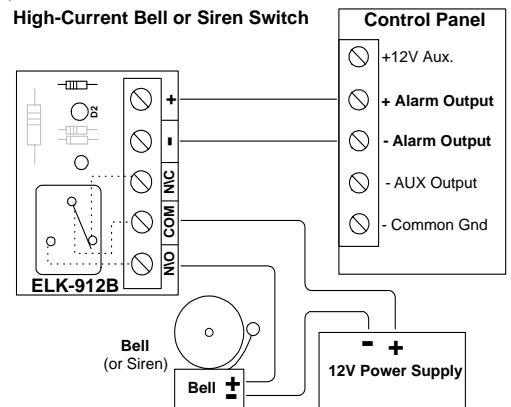
Example 2: Used to switch higher current loads from a Low Current Negative Auxiliary Output. Connect the ELK-912B "+" terminal to a constant power supply positive output terminal, connect the ELK-912B "-" terminal to the auxiliary output negative terminal.

Alarm-Activated Floodlight



Example 3: Floodlight activates whenever control panel is in alarm

High-Current Bell or Siren Switch



Example 4: ELK-912B used to switch a high-current siren or bell from separate power supply.