

**\* Try these other fine ELK products \***

**M1 Cross Platform Control**

- M1G** Full Featured Security & Automation Control
- M1KP** LCD Keypad, 2 x 16 Character, backlit
- M1XIN** 16 Zone (input) expander. Up to 12 per sys.
- M1XOVR** 16 Output expander. 8 voltage/8 Relays
- M1RB** 8 relay board for use w/Ctrl, XOVR, or XOVR
- M1DBH** Data Bus wiring hub for multiple homeruns
- M1XEP** Ethernet port expander/interface
- M1XSP** Serial port expander for additional serial ports.

**Rust Free Sirens / Speakers**

- 1RT** Speaker & Stainless Steel Enclosure
- 15ORT** Siren & Stainless Steel Enclosure

**Speakers & Sirens**

- 44** Speaker, 30 W,8 Ohm Compact Horn
- 45** Siren, Compact Horn, 118db
- M120** Siren, 107db, Mini Horn
- SP15** Speaker, 15 watt, Small Horn
- SP30** Speaker, 30 watt, Horn
- SP35** Speaker, 20 watt, Interior
- SP40** Speaker, 40 watt, Horn
- SS15** Siren, Dual Tone, 110db, Horn
- SS30** Siren, Dual Tone, 120db, Horn
- SS36** Siren, Dual Tone, 105db, Interior

**ECHO™ Sirens & Speakers**

- 73** ECHO Speaker, 20 Watt, Interior
- 74** ECHO Dual Tone Siren, Interior

**Siren & Voice Drivers**

- 100** High Performance Siren Driver
- 110** Voice Siren Driver, English & Spanish
- 120** Recordable Voice Module and Siren
- 124** Recordable Voice Module, 4 Channels

**Surge Suppressors**

- 950** Surge Suppressor, Phone & Power Line
- 951** Surge Suppressor, Phone - Single Line
- 952** Surge Suppressor, Phone - Inline Modular
- 955** Surge Suppressor, Phone - Dual Line

**Relay Modules**

- 912** Compact Relay,12 Vdc, SPDT
- 912B** Heavy Duty Compact Relay,12/24 Vdc, SPDT
- 924** Sensitive Relay, 12/24 Vdc, DPDT
- 941** Alarm Output Director
- 960** Delay Timer Relay, 1 sec. to 60 min.

**Power Products**

- 1250** Battery, Lead Acid, 12v, 5Ah
- 1280** Battery, Lead Acid, 12v, 8Ah
- P112** 12 Volts DC, 1 Amp Power Supply w/Enclosure
- P124** 24 Volts DC, 800mA Power Supply w/Enclosure
- P1216** 12 Volts DC, 1.5 Amp Power Supply
- P412** 12 Volts DC, 4 Amp Power Supply
- P624** Power Supply & Battery Charger
- 965** Low Battery Cutoff and Power Switch
- TRG1640** Transformer, 16.5VAC @ 45 VA
- TRG2440** Transformer, 24VAC @ 40 VA

**Accessories**

- 129** Computer Sound Card Interface
- 800** Audio Amplifier, 10 Watts
- 900-2** "B" Connectors,Unfilled,500 pcs
- 902-2** "B" Connectors,Gel filled,500 pcs
- 999** Double Sided Tape
- SL1** Strobe Light, 4 colors available
- WK1** Wall Mount Kit for SL1 Strobes

For more information contact your local Distributor or:  
 ELK PRODUCTS,INC 828-397-4200 FAX 828-397-4415  
<http://www.elkproducts.com> Email: [info@elkproducts.com](mailto:info@elkproducts.com)



## Audio Amplifier ELK-800

**APPLICATION:**

A compact, low cost audio amplifier designed for paging (public address) applications. The ELK-800 can be centrally or remotely installed. It operates on low voltage, thus saving money by requiring only 22-24 gauge telco or alarm type wire. It can drive multiple speakers and features short circuit protection and built-in volume adjust.

**FEATURES:**

- Small, Compact Public Address Amplifier
- Expanded Telephone System Paging
- Amplified Telephone Ringer Where Speaker Tone Signaling Is Available
- Eliminates Large Bulky Amplifiers
- No Need For 70 Volt Line Transformers
- Uses Inexpensive 22-24 AWG Wire.
- Drives Ordinary Horn or Cone Speakers
- Built-in Volume Control
- Lifetime Limited Warranty.

## Audio Amplifier ELK-800



**SPECIFICATIONS:**

- Output Rating: 10 Watts\*\*
- Speaker (Output) Load: 2 to 16 Ohms\*\*
- Power Input: 12 to 18 Volts AC or DC\*\*
- Current Draw: 50 to 800 mA
- Input Impedance: 1000 Ohms nominal
- Size: 4.5" x 3" x 1.2"

\*\*NOTE: The ELK-800 is primarily designed for short duration (intermittent) paging applications. For long durations, such as playing music, you may need to reduce the volume output, lower the power input voltage, or lower the speaker loading in order to keep the ELK-800 from overloading and shutting down.

Features or Specifications subject to change without notice.

**Instructions Printed On Inside**



828-397-4200 Voice  
[www.elkproducts.com](http://www.elkproducts.com)  
 email: [info@elkproducts.com](mailto:info@elkproducts.com)  
 PO Box 100 • Hildebran, NC 28637 • USA

# ELK-800 Installation

## Wiring Connections

**POWER:** Connect to a good quality 12 to 18 volts A.C. or D.C.\*\* Power Source. No Polarity. D.C. Power is recommended for a cleaner output.

\*\*NOTE: The ELK-800 is primarily designed for short duration (intermittent) paging applications. For long durations, such as playing music, you may need to reduce the volume output, lower the power input voltage, or lower the speaker loading in order to keep the ELK-800 from overloading and shutting down.

**INPUT:** Connect an audio input source. i.e.: microphone, telephone PBX or KEY system paging output, etc., even an ordinary single line phone set (see diagram below).

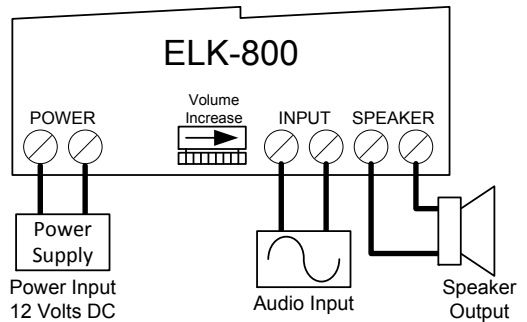
**SPEAKER:** **Two (2) ohm maximum load.** Speakers may be series/parallel wired for multiple speaker combinations up to 16 speakers.\*\*

## Volume Control

Turn the volume control clockwise (CW) to increase volume. Adjust to a comfortable level.

## Power Supply Wire Sizing

Number of Speakers	Wire Length (ft)	
	24 AWG	22 AWG
4	100	160
2	200	320
1	400	640



## Input Wire Sizing

When using a remote power supply and 24 AWG wire, the length of the audio wire should be limited to 3000 feet with a maximum of four (4) ELK-800 amplifiers connected. Standard telephone twisted pair wire is a good choice for the audio wire run.

## Recommended Speaker Spacing for Paging Applications

Ambient Sound Level	Location	Speaker Spacing
Quiet 50 to 65 db	Offices	120 feet (14,400 sq. ft.)
Moderate 65 to 80 db	Light Manufacturing	90 feet (8,100 sq. ft.)
Noisy 80 to 90 db	Heavy Manufacturing	60 feet (3,600 sq. ft.)
Very Noisy +90 db		40 feet (1,600 sq. ft.)

