



876 And 877 Grille Type Adaptahorn Installation Sheet

Description

The 876 and 877 series are UL listed, FM approved, vibrating horns in a NEMA Type 4X, 12, 12K rated enclosure. They are low current, high decibel horns designed for heavy-duty use either indoors or outdoors. The die-cast weatherproof box has a durable, corrosion resistant, electrostatic heat flowed powder epoxy gray finish. The horns are intended for general signaling applications.

PLC Compatibility

The electrical input load requirements for PLC compatible signaling devices are listed in Table 1. Signaling devices may be directly connected to output cards that meet these load requirements.

24V DC electromechanical horns such as the 877-G1 can produce transient spikes and should only be used on PLC output cards that have inherent transient spike suppression. The Process Control Engineer should consult the PLC manufacturer when connecting 24V DC electromechanical devices to PLCs.

Installation

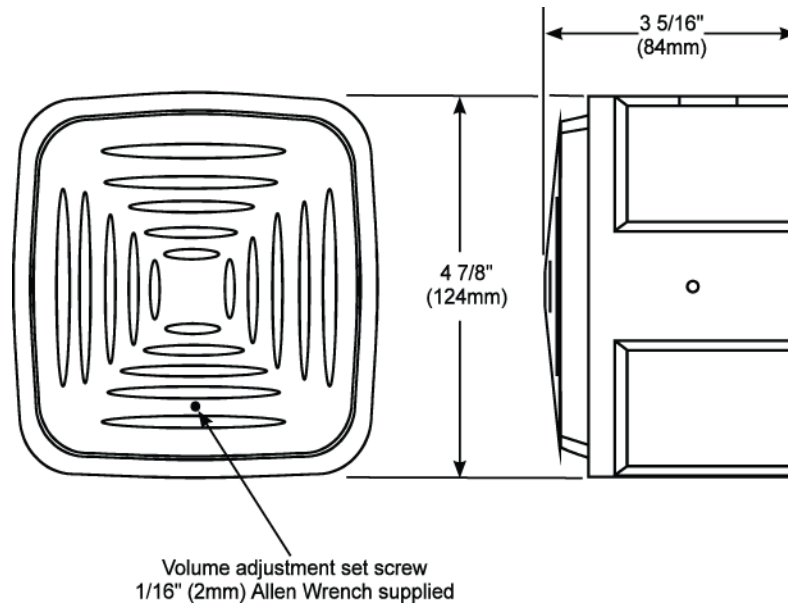
1. Using a 5/64" allen wrench (supplied), loosen both set screws (located on either side of backbox) and remove horn from backbox.

2. Fasten backbox to wall or partition as follows:
 - a. Remove the screw hole knockouts in the backbox.
 - b. Insert caplugs (supplied) in screw holes in backbox.
 - c. Drive #8 wood screws (supplied) through caplugs into mounting surface.
 - d. Secure conduit at entrance hole.
3. Ground the unit using the terminal screw in the box or by other appropriate means.
4. Connect one wire to each terminal in backbox.
5. Orient the horn so that the "E" is at the top and plug horn on backbox. Tighten set screws.
6. The volume is factory set at the maximum level. To reduce volume level, turn set screw (located on grille front) clockwise using a 1/16" allen wrench (supplied).

Table 1: PLC Compatibility

Catalog number	876-N5	877-G1
Operating voltage	120 VAC	24 VDC
Maximum off state leakage current	25 mA	25 mA
Continuous on current	125 mA	160 mA
Surge (inrush/duration)	1.02 A/0.000026 ms	1.7 A/0.000042 ms

Figure 1: Dimensions



Specifications

	Voltage	Current
876-E5	12 VAC	1.25 A
876-G5	24 VAC	0.63 A
876-N5	120 VAC	0.13 A
876-R5	240 VAC	0.07 A
877-E1	12 VDC	0.27 A
877-G1	24 VDC	0.16 A
877-J1	32 VDC	0.13 A
877-K1	48 VDC	0.07 A
877-P1	125 VDC	0.025 A

Regulatory information

Manufacturer	Edwards, A Division of UTC Fire & Security Americas Corporation, Inc. 8985 Town Center Parkway, Bradenton, FL 34202, USA
Year of manufacture	The first two digits of the date code (located on the product identification label) are the year of manufacture.
North American standards	Meets: UL 464

Contact information

For contact information, see www.edwardssignaling.com.