

# Conventional and Addressable Accessories

## Bells

### 430D Series

Edwards 430D Series fire alarm bells are diode polarized, vibrating bells for use with fire alarm equipment. They operate in conjunction with an installed fire alarm panel and detection devices. The steel alloy gongs are red epoxy powder finish and produce a loud, resonant tone required in fire alarm systems.

#### Features and Specifications

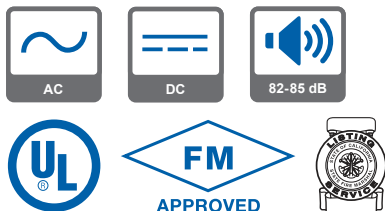
- 6", 8" and 10" gong sizes
- Heavy duty die cast housing
- Steel alloy gong with red epoxy powder coating
- Back box available for use in outdoor applications
- Under dome mechanism
- Available in red



Ordering Information						
Description	Cat. No.	Operating Voltage	Gong Size	Amps	dB at 1m/10ft. <sup>1</sup>	Lead Length
AC	438D-6N5-R	120V AC	6" (152mm)	0.034 A	95/85	10" (25mm)
	438D-8N5-R	120V AC	8" (203mm)	0.034 A	95/85	10" (25mm)
	438D-10N5-R	120V AC	10" (254mm)	0.034 A	98/88	10" (25mm)
DC	439D-6AW-R	24V DC	6" (152mm)	0.085 A	92/82	10" (25mm)
	439D-8AW-R	24V DC	8" (203mm)	0.085 A	92/82	10" (25mm)
	439D-10AW-R	24V DC	10" (254mm)	0.085 A	95/85	10" (25mm)

<sup>1</sup>Anechoic Chamber

Accessories	
Description	Cat. No.
Outdoor rated back box	449



# Conventional and Addressable Accessories

## Bells

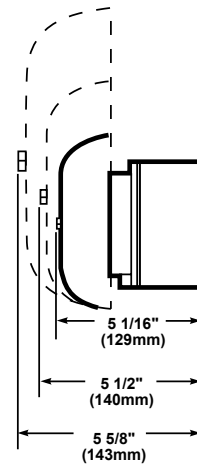
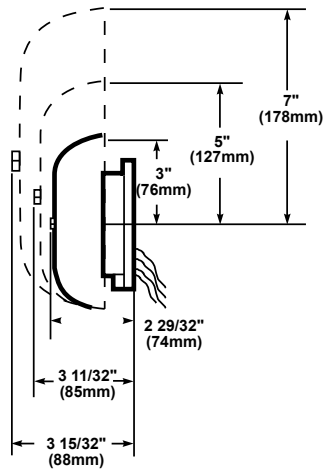
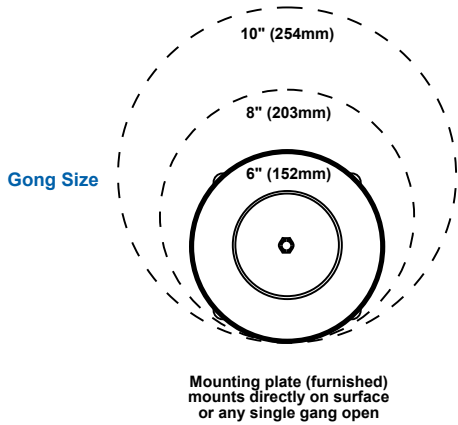
### 430D Series

12

FIRE ALARMS

#### Weights and Dimensions

Cat. No.	Approx. Shipping Weight (lb.)
438D-6N5-R	2.90
438D-8N5-R	4.76
438D-10N5-R	6.20
439D-6AW-R	2.90
439D-8AW-R	4.76
439D-10AW-R	6.20



Cat. No. 449  
Outdoor  
Back Box  
(optional)