

# EDWARDS SIGNALING

## Installation Instructions for Catalog Series 439D Fire Alarm Bell

### Description and Operation

The Edwards 439D series models are heavy-duty, dc powered, vibrating fire bells. They are designed for public mode signaling in accordance with the latest edition of NFPA 72. These vibrating bells produce a long, continuous ringing sound. See table below for electrical specifications.

Catalog Number	Size (in.)	Voltage	Amps
439D-6AW-R 439DG-6AW	6	20/24V DC	0.085
439D-8AW-R	8		
439D-10AW-R 439DG-10AW	10		

### Installation



#### CAUTION

Do not apply power to bell until installation has been completed.

Prior to starting installation, refer to Figure 1 for bell size.

The metal mounting plate supplied with these bells mounts directly on the surface of any single or double gang 3" octagon box, 4" octagon box or 4" square wall box or their plaster cover (boxes and covers supplied by others). For outdoor mounting, use Cat. No. 449 weatherproof box (ordered separately) as shown in Figure 1.

#### Wall Box Mounting (Figure 3)

1. Remove screw and lockwasher from front of gong and remove gong. Retain hardware and gong.
2. Pull bell lead wires through hole in insulator (Figure 2).
3. Feed the power source wiring from electrical outlet box through the metal mounting plate. Ensure that the mounting plate is aligned with the word "TOP" at the top and facing out and secure metal mounting plate to electrical outlet box with appropriate hardware (not supplied).



#### CAUTION

Break wire run to provide electrical supervision. Do NOT loop bell lead wires around signal circuit wiring.

4. Using wire nuts (not supplied), connect wires to circuit and push wires and connections down inside the electrical box (Figures 3 and 5).
5. Mount insulator and bell body onto studs of metal mounting plate (Figures 2 and 3). Secure using two lockwashers and two nuts (supplied).

6. Align the tabs on the back of the gong with the grooves in the bell body and secure with the screw and lockwasher removed in step 1.

#### Surface Mounting (Figure 4)

1. Remove screw and lockwasher from front of gong and remove gong. Retain hardware and gong.
2. Cut bell wire leads as needed and strip wire leads back 1/4".
3. Ensure that the mounting plate is aligned with the word "TOP" at the top and facing out and secure metal mounting plate to surface using screws appropriate for the mounting surface (not supplied). Place insulator over studs on mounting plate (Figure 2).



#### CAUTION

Break wire run to provide electrical supervision. Do NOT loop bell lead wires around signal circuit wiring.

4. See Figure 4. Using wire nuts (not supplied), connect wires to circuit. Push connected wires into bell through entrance hole in bell body base, while mounting insulator and bell body onto studs of metal mounting plate. Secure the bell body onto the metal mounting plate using two lockwashers and two nuts (supplied).
5. Align the tabs on the back of the gong with the grooves in the bell body and secure with the screw and lockwasher removed in step 1.

#### Applying Power



#### WARNING

This device will not operate without electrical power. As fires frequently cause power interruptions, we suggest you discuss further safeguards with your local fire protection specialist.

1. Apply power to fire alarm or system control panel.
2. Initiate an alarm to activate bell and verify that it sounds.
3. Reset panel to silence bell and return panel to supervisory mode.

#### Maintenance



#### CAUTION

Always disconnect all power before servicing or cleaning bell.

Examine bell annually for accumulation of dirt and clean when necessary.

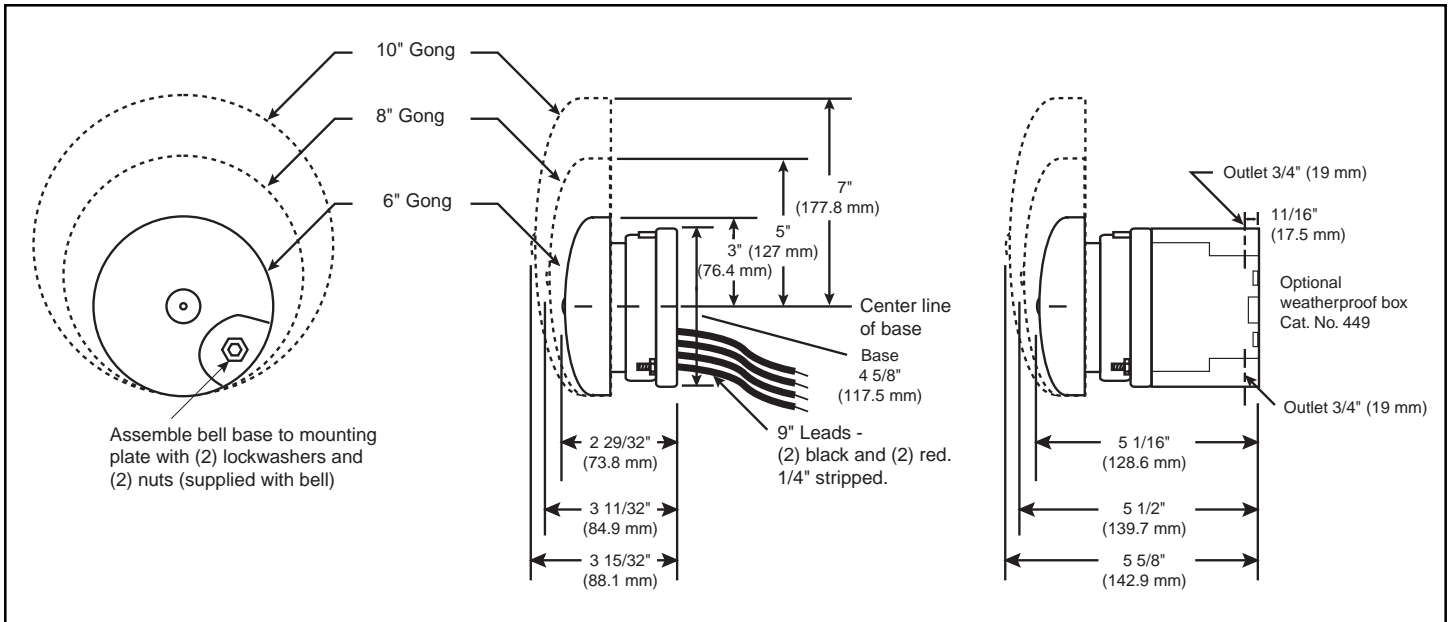


Figure 1. Bell Dimensions

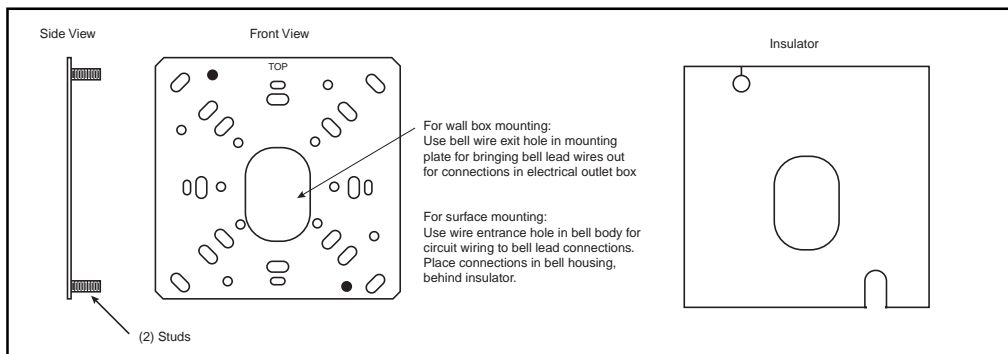


Figure 2. Metal Mounting Plate and Insulator

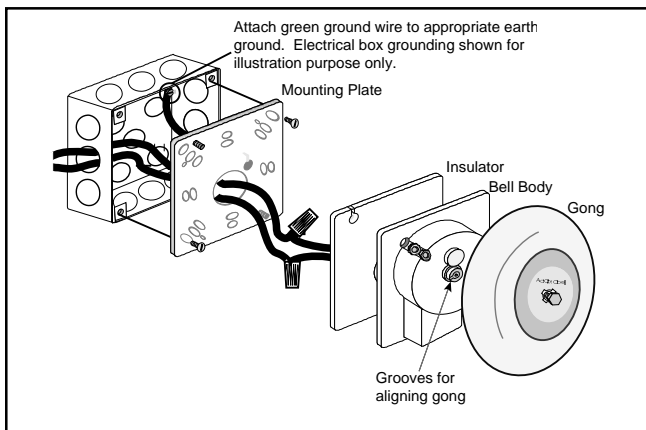


Figure 3. Installing the Adaptabel, Wall Mount

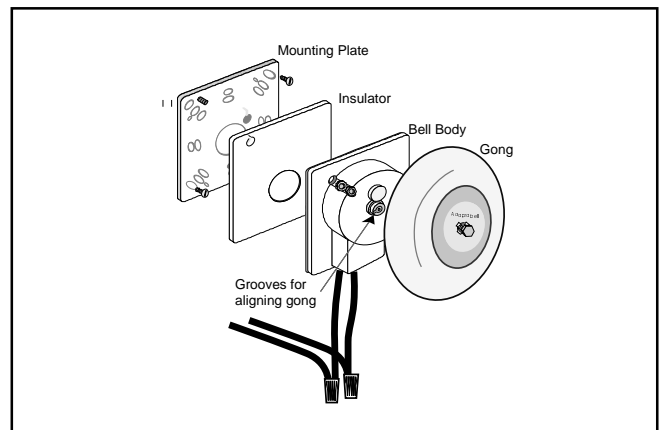


Figure 4. Installing the Adaptabel, Surface Mount

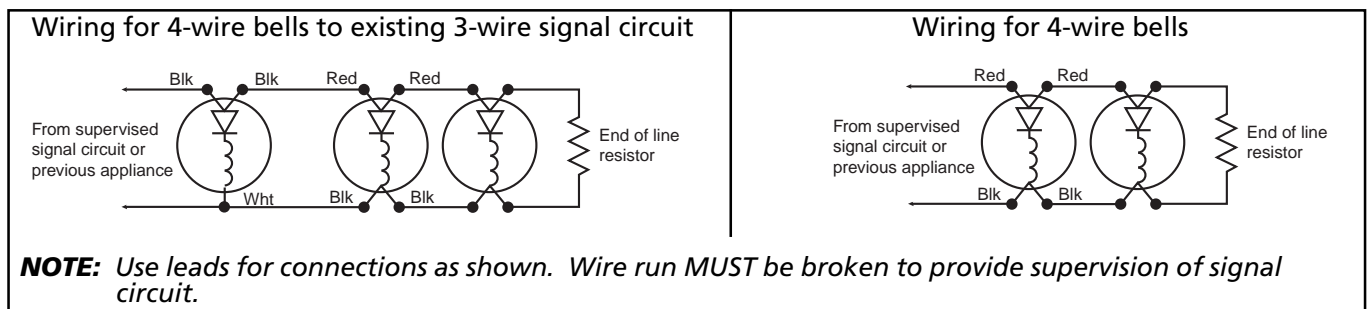


Figure 5. Wiring Diagrams

P/N P-047550-0590 OFFSET SPEC

INSTALLATION INSTRUCTIONS FOR CATALOG  
SERIES 439D SERIES FIRE ALARM BELLS

(1) 8 1/2" x 11" SHEET PRINTED BOTH SIDES,  
FOLD TWO TIMES TO DIMENSIONS SHOWN ON  
DETAIL WITH PART NUMBER ON THE OUTSIDE.

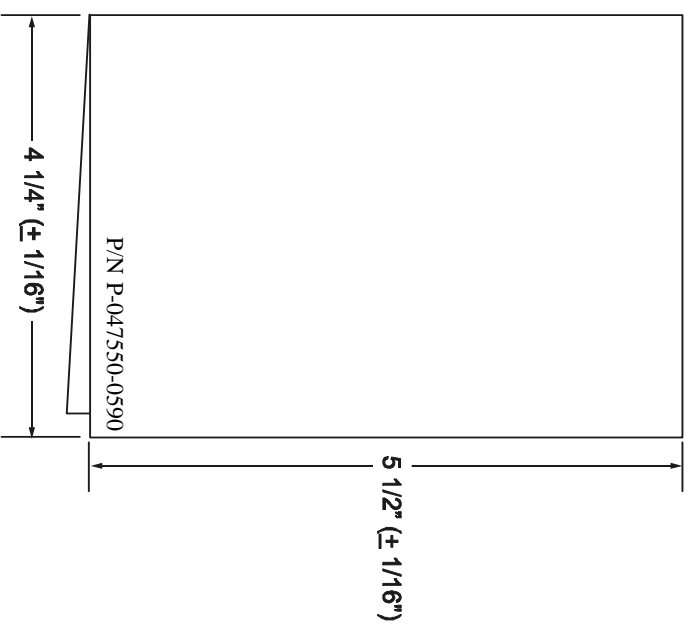
MATERIAL: STANDARD WHITE OFFSET STOCK

CHARACTERS: TO BE BLACK ON WHITE BACK-  
GROUND

NOTE: MECHANICALS HAVE ALREADY BEEN  
REDUCED TO ACTUAL SIZE.

RETURN MECHANICAL TO:  
TECHNICAL WRITING  
EDWARDS SIGNALING  
90 FIELDSTONE COURT  
CHESHIRE, CT 06410

ECN: 01-C1498  
FILE: FC6983  
ISSUE: 6  
APPROVED: KRT



FOLD DETAIL REFERENCE ONLY