

Conventional and Addressable Accessories

Hazardous Location Signals

116 Series



NOTE: Mounting options not included. (Ordered separately)

Edwards 116 Series Genesis fire alarm strobe is designed for use in Class 1, Division 1 and 2 explosionproof and hazardous location applications where electrical supervision is required. The diode-polarized strobe is intended for indoor use in UL 1971 listed compatible fire alarm systems and is ADA compliant for the hearing impaired.

116 Series Genesis strobe provides 125 cd ceiling and 60 cd wall light output. With the guard installed, the strobe flashes with an output of 86 cd ceiling and 51 cd wall.

These units are UL 1638 and cUL listed for outdoor use as a NEMA Type 3R and 4X enclosure; and Canada (cUL) to Canadian standard ULC-S526-07 suitable for indoor or outdoor applications.

The strobes are designed to flash at the same rate (synchronize) when used with a compatible synchronization source, such as the EG1M-RM synchronization module, E-FSC and E-FSA fire panels, and EBPS series booster supplies.

Features and Specifications

- Clear globe with dome guard
- Three mounting options: wall, ceiling, or pendant
- Negligible in-rush current
- Approved for fire alarm applications
- NEMA Type 3R and 4X enclosures
- 60 flashes per minute (fpm)
- Can be synchronized when connected to a compatible Edwards control panel, booster power supply or synchronization module
- UL 1638, UL 1971 and cUL Listed
- Class I, Div. 2, Groups A and B; Class I, Div. 1 and 2, Groups C and D; Class II, Div. 1, Groups E, F, G and Class III; Class II, Div. 2, Groups F, G and Class III.

Ordering Information

Description	Cat. No.	Operating Voltage ¹	Current	Lens Color	Flash Rate	Replacement	
						Dome	Guard
Explosion proof Fire Alarm Strobe	116DEGEX-FJ	24V DC	0.505 A, DC, RMS 0.683 A, FWR, RMS	Clear	60 fpm	116-Globe	116-GRD

¹Regulated 16 to 33V DC/fwr.

Accessories²

Description	Cat. No.	Conduit Size
Wall Bracket Mounting Elbow	116EX-B ³	N/A
Ceiling/Wall Mounting Module	116EX-C	3/4" NPT
Pendant Mounting Module	116EX-P	3/4" NPT
Synchronization Module	EG1M-RM	—

²Mounting Modules must be ordered separately

³NOTE: Wall mount requires both 116EX-B and 116EX-C.



Conventional and Addressable Accessories

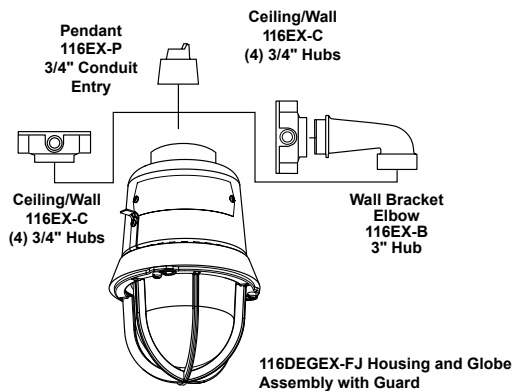
Hazardous Location Signals

116 Series

Hazardous Location Ratings

116 Series	Operating Temperature					
	Ambient Temp.	Supply Wire Temp. Marking	Class I, Div. 2 Groups A, B	Class I, Div. 1 & 2 Groups C, D	Class II, Div. 1 Groups E, F, G, & Class III	Class II, Div. 2 Groups F, G, & Class III
	40°C	75°C	T2B (260°C)	T6 (85°C)	T4A (120°C)	T4A (120°C)
	55°C	90°C	T2B (260°C)	T6 (85°C)	T4 (135°C)	T4 (135°C)
	65°C	105°C	T2B (260°C)	T6 (85°C)	T3C (160°C)	T3C (160°C)

Mounting Options



Note: 116EX-C must be used when application requires 116EX-B

Weights and Dimensions

Cat. No.	Shipping Weight (lb.)
116DEGEX-FJ	12.44
116EX-B*	2.30
116EX-C	2.80
116EX-P	1.25

