

Beacons: Explosionproof Flashing Xenon 116 Series



7.25"



NOTE: Mounting options not included (ordered separately)

Edwards 116DEXMST-FJ and 116EXMST Series Xenon strobe beacons are explosionproof, signaling devices suitable for use in hazardous indoor or outdoor applications requiring NEMA Type 3R or 4X installations. The housing is cast aluminum with a corrosion resistance epoxy powder coat, and includes a dome guard. The fluted, high-impact glass dome provides even light distribution.

The 116DEXMST-FJ Series is Diode Polarized for use in electrically supervised circuits. Both versions can be bracket, ceiling, pendant or stanchion mounted.

Features and Specifications

- Xenon strobe light source
- Flash rate 65 fpm
- High impact glass dome, dome guard included
- Quick connect for easy assembly and installation
- Diode Polarized for use in electrically supervised circuits (116DEXMST-FJ Series only)
- Suitable for indoor and outdoor hazardous applications
- Bracket, ceiling, pendant or stanchion mounting options (ordered separately)
- NEMA Type 3R and 4X enclosure
- Explosionproof: Class I, Div 2, Groups A and B, Class I, Div 1 and 2, Groups C and D; Class II and III, Div 1, Groups E, F and G; Class II and III, Div 2, Groups F and G

Ordering Information

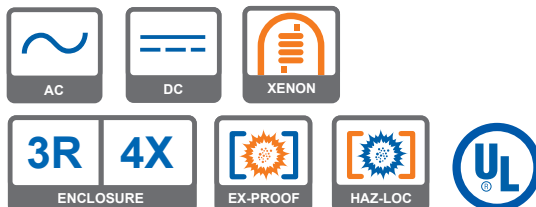
Description	Cat. No.	Operating Voltage ¹	Current	Lens Colors	Peak Candela	Replacement		
						Dome	Inner Lens	Strobe Tube
Xenon Strobe AC	116EXMSTA-N5	120V AC	0.1 A	Amber	800,000	116-Globe	116-ST-LA	
	116EXMSTB-N5	120V AC	0.1 A	Blue	800,000	116-Globe	116-ST-LB	
	116EXMSTC-N5	120V AC	0.1 A	Clear	800,000	116-Globe	116-ST-LC	92-ST
	116EXMSTG-N5	120V AC	0.1 A	Green	800,000	116-Globe	116-ST-LG	3,000 hours. ²
	116EXMSTM-N5	120V AC	0.1 A	Magenta	800,000	116-Globe	116-ST-LM	
	116EXMSTR-N5	120V AC	0.1 A	Red	800,000	116-Globe	116-ST-LR	
Diode Polarized DC	116DEXMSTA-FJ	16 - 33V DC	0.95 A - 0.55 A	Amber	800,000	116-Globe	116-ST-LA	
	116DEXMSTB-FJ	16 - 33V DC	0.95 A - 0.55 A	Blue	800,000	116-Globe	116-ST-LB	
	116DEXMSTC-FJ	16 - 33V DC	0.95 A - 0.55 A	Clear	800,000	116-Globe	116-ST-LC	92-ST
	116DEXMSTG-FJ	16 - 33V DC	0.95 A - 0.55 A	Green	800,000	116-Globe	116-ST-LG	3,000 hours. ²
	116DEXMSTM-FJ	16 - 33V DC	0.95 A - 0.55 A	Magenta	800,000	116-Globe	116-ST-LM	
	116DEXMSTR-FJ	16 - 33V DC	0.95 A - 0.55 A	Red	800,000	116-Globe	116-ST-LR	

¹AC voltage frequency is 50/60 Hz

²Calculated at operating power to 75% efficiency.

Required Mounting Options

Description	Cat. No.	Conduit Size
Wall Bracket Mounting Elbow	116EX-B	N/A
Ceiling/Wall Mounting Module	116EX-C	3/4" NPT
Pendant Mounting Module	116EX-P	3/4" NPT
Stanchion Mounting Module	116EX-S	1 1/4" NPT



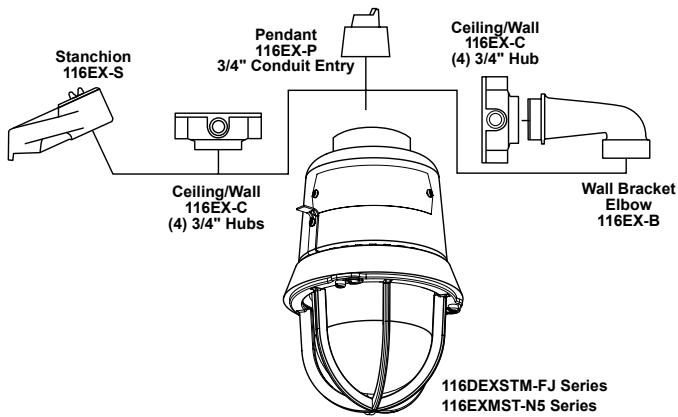
Beacons: Explosionproof Flashing Xenon 116 Series

Hazardous Location Listings

Cat. No.	Ambient Temp.	Supply Wire Temp. Marking	Operating Temperature			
			Class I, Div. 2 Groups A, B	Class I, Div. 1 & 2 Groups C, D	Class II & III, Div. 1 Groups E, F, G	Class II & III, Div. 2 Group F, G
116DEXSTM*-FJ	40°C	75°C	T2D (215°C)	T6 (85°C)	T4A (120°C)	T4A (120°C)
	55°C	90°C	T2C (230°C)	T6 (85°C)	T4 (135°C)	T4 (135°C)
116EXMST*-N5	40°C	75°C	T4 (135°C)	T6 (85°C)	T4A (120°C)	T4A (120°C)
	55°C	90°C	T3C (160°C)	T6 (85°C)	T4 (135°C)	T4 (135°C)
	65°C	105°C	T3C (160°C)	T6 (85°C)	T4 (135°C)	T4 (135°C)

*Letter in this position designates lens color: A - amber, B - blue, C - clear, G - green, M - magenta, or R - red

Mounting Options

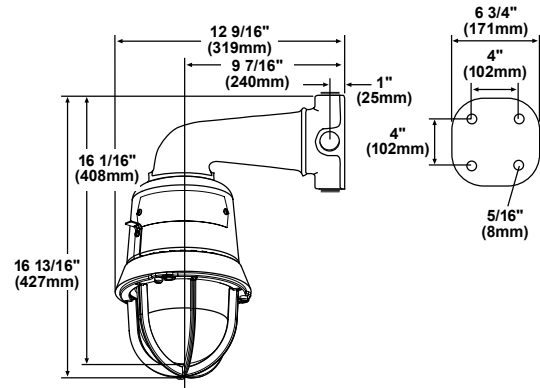


Beacons: Explosionproof Flashing Xenon 116 Series

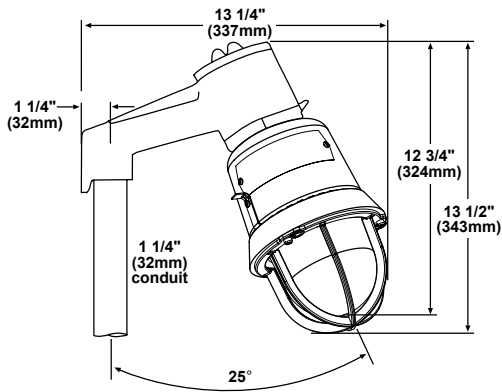
Weights and Dimensions

Cat. No.	Approx. Net Weight (lb.)	Approx. Shipping Weight (lb.)
116EXMSTA-N5	11.40	12.44
116EXMSTB-N5	11.40	12.44
116EXMSTC-N5	11.40	12.44
116EXMSTG-N5	11.40	12.44
116EXMSTM-N5	11.40	12.44
116EXMSTR-N5	11.40	12.44
116DEXMSTA-FJ	11.40	12.44
116DEXMSTB-FJ	11.40	12.44
116DEXMSTC-FJ	11.40	12.44
116DEXMSTG-FJ	11.40	12.44
116DEXMSTM-FJ	11.40	12.44
116DEXMSTR-FJ	11.40	12.44
116EX-B	2.02	2.28
116EX-C	2.50	2.80
116EX-P	1.10	1.26
116EX-S	2.62	2.90

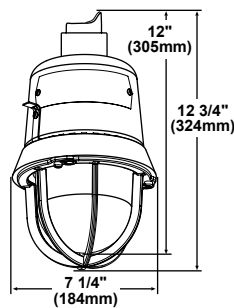
Wall Mount
116EX-B



Stanchion Mount
116EX-S



Pendant Mount
116EX-P



Ceiling Mount
116EX-C

