

Beacons

Flashing Halogen

105 Series

Edwards 105 Series flashing Halogen beacons are NEMA Type 4X signaling devices, suitable for use in indoor or outdoor applications where an intermittent (flashing) light source is required. Base material is gray, manufactured from glass-reinforced thermoplastic polyester resin and features brass hardware. The double fresnel lens is made of shatter-resistant polycarbonate.

Features and Specifications

- Halogen light source
- Flash rate 65 fpm
- Shatter-resistant double fresnel polycarbonate lens
- Gray Rynite® (PET) base with brass hardware
- Suitable for indoor, outdoor and marine applications
- For outdoor use, lens should face up
- NEMA Type 4X enclosure
- Class I, Div 2, Groups A, B, C and D; Class II, Div 2, Groups F and G; Class III
- Option for panel or conduit mounting



Ordering Information

Description	Cat. No.	Operating Voltage	Current	Lens Color	Peak Candela	Lamp Ratings	Replacement	
							Lens	Lamp
Flashing Beacon Halogen AC	105FINHA-G5	24V AC	0.8 A	Amber	2839	20W, 20,000 hours ^{1,2}	105-LA	50LMP-20WH or Ind. Trade No. 1692 ³
	105FINHB-G5	24V AC	0.8 A	Blue			105-LB	
	105FINHC-G5	24V AC	0.8 A	Clear			105-LC	
	105FINHG-G5	24V AC	0.8 A	Green			105-LG	
	105FINHM-G5	24V AC	0.8 A	Magenta			105-LM	
	105FINHR-G5	24V AC	0.8 A	Red			105-LR	
	105FINHA-N5	120V AC	0.2 A	Amber			105-LA	
	105FINHB-N5	120V AC	0.2 A	Blue			105-LB	
	105FINHC-N5	120V AC	0.2 A	Clear			105-LC	
	105FINHG-N5	120V AC	0.2 A	Green			105-LG	
105FINHM-N5	120V AC	0.2 A	Magenta	105-LM				
105FINHR-N5	120V AC	0.2 A	Red	105-LR				
Flashing Beacon Halogen DC	105FINHA-G1	24V DC	0.8 A	Amber	2839	20W, 20,000 hours ^{1,2}	105-LA	50LMP-20WH or Ind. Trade No. 1692 ³
	105FINHB-G1	24V DC	0.8 A	Blue			105-LB	
	105FINHC-G1	24V DC	0.8 A	Clear			105-LC	
	105FINHG-G1	24V DC	0.8 A	Green			105-LG	
	105FINHM-G1	24V DC	0.8 A	Magenta			105-LM	
105FINHR-G1	24V DC	0.8 A	Red	105-LR				

¹At nominal operating voltage.

²Projected lamp life based on manufacturer's calculated lamp life at 65 fpm and 50% duty cycle.

³Incandescent lamp, user supplied

Accessories

Description	Cat. No.
Wall Mount Bracket	105BM ⁴
Outlet Box Attachment	105BX
Pipe Mount Attachment	105PM



Wall Mount Bracket



Outlet Box Attachment



Pipe Mount Attachment

⁴Must be used with the 105BX.



Beacons

Flashing Halogen

105 Series

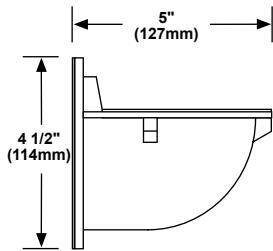
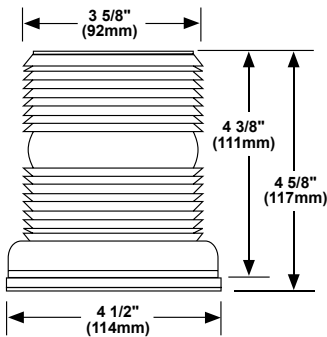
Hazardous Location Listings

Cat. No.	Class	Division	Group	Operating Temperature
105FINH*-N5	I	2	A, B, C, D	T2 (300°C, 572°F)
105SINH*-N5	II	2	F, G	T4 (135°C, 275°F)
	III			T4 (135°C, 275°F)

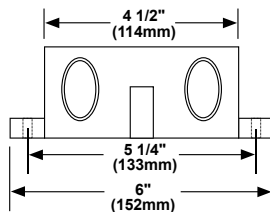
Weights and Dimensions

Cat. No.	Approx. Net Weight (lb.)	Approx. Shipping Weight (lb.)
105FINH*-G5	0.88	1.04
105FINH*-N5	0.88	1.04
105FINH*-G1	0.88	1.04
105BX	0.80	1.00
105BM	1.00	1.20
105PM	0.80	1.00

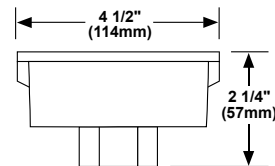
*Letter in this position designates lens color: A - amber, B - blue, C - clear, G - green, M - magenta or R - red



Cat. No. 105BM Mounting Bracket
(Must be used with 105BX)



Cat. No. 105BX
Outlet Box Attachment
(4) 3/4" Threaded Hubs



Cat. No. 105PM
Pipe Mount Attachment
(Pipe mount is 3/4" NPT)