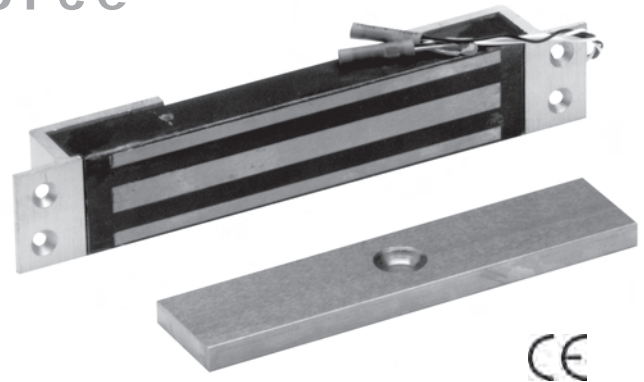


2600 Series

650 Lb. Holding Force Mortise MagLock

- For Sliding Doors
- Field Selectable 12/24 VDC
- Low Power Consumption
- Lifetime Warranty



Description

The 2600 electromagnetic lock consists of two basic components: the lock assembly and an armature. The lock mortise mounts in a door frame and the armature mounts in the leading edge of the sliding door jamb. The armature mounts in a manner that allows it to pivot slightly to compensate for door misalignment.

When the door is closed and the lock is energized the armature is magnetically bonded to the lock face, thus securing the door without utilizing any moving parts.



Standard Features

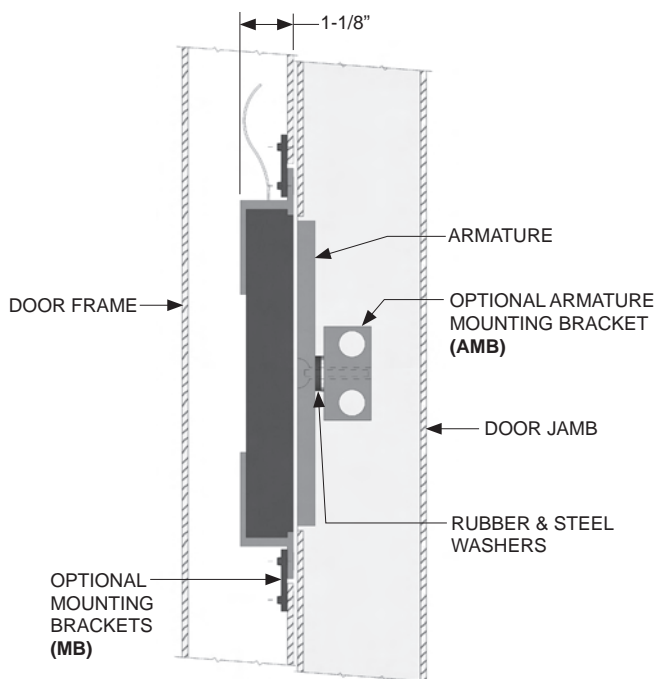
- **Holding Force** - 650 lbs. holding force provides for effective traffic control. Examples include interior office doors, clean room interlocks, tool cribs, and x-ray areas.
- **A Totally Plated Coil** and armature provides protection against corrosion.
- **No Residual Magnetism** - The lock releases without delay when de-energized.
- **Narrow Backset** - A thin lock section (1-1/8") fits into a shallow mounting location.
- **Lifetime Warranty** - Made in the USA by DynaLock, with over 20 years experience in the manufacture of electromagnetic locks.

2600 Mortise Maglock

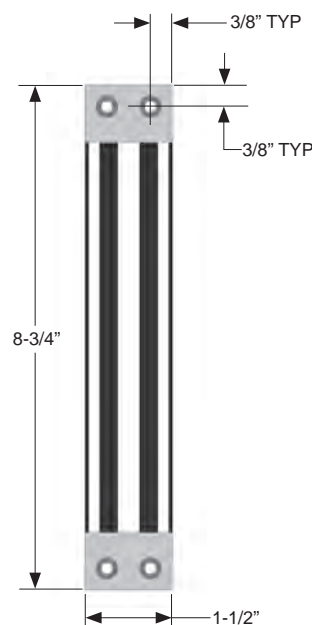
Options

- AMB** ARMATURE MOUNTING BRACKET - Use to mortise mount armature in edge of a hollow door. Bracket is held in place by (2) thru-bolts and the armature bolts to the bracket.
- DYN** DYNASTAT FORCE SENSOR - Indicates efficient magnetic bond. SPDT contacts.
- MB** MOUNTING BRACKETS - Use when cutting into existing metal frame. Includes (2) pre-drilled metal pieces that mount on the inside of the frame, providing "tabs" to attach the lock to.
- SF** SPECIAL FINISH - Standard finish is US28 Satin Aluminum. For special anodized finishes, see price book.

For AC operation please order Model# 7088 pre-wired rectifier bridge, sold separately.



TYPICAL INSTALLATION



LOCK DETAIL

Specifications

MECHANICAL

Holding Force:	650 Lbs.
Lock Size:	1 1/8" D x 1 1/2" W x 8 3/4" H
Armature Size:	3/8" D x 1 1/2" W x 6 1/2" H
Lock Weight:	4Lbs.
Finish:	US28 Satin Aluminum with clear anodize. Other Finishes Available.

ELECTRICAL

Input Voltage:	12 or 24 VDC (Field Selectable)
Current Draw:	0.50A @ 12V Each Coil 0.25A @ 24V Each Coil
Contact Ratings:	DYN - 0.25A @ 24VDC/VAC
Coil Resistance:	53.8 Ohms (+/- 10%) Wht/Wht, Blk/Blk

DYNALOCK CORPORATION
705 EMMETT STREET / PO BOX 2728
BRISTOL, CT 06011-2728
PHONE: 877-DYNALOCK / FAX: 860-585-0338
E-MAIL: INFO@DYNALOCK.COM
WEBSITE: WWW.DYNALOCK.COM

Featuring

DynaLife[®]
Lifetime Warranty