

THIS PAGE LEFT INTENTIONALLY BLANK



DTK-TSS2NM

Total Surge Solution

User Guide



DITEK CORPORATION

One DITEK Center 1720 Starkey Road Largo, FL 33771
1-800-753-2345 www.ditekcorp.com

P/N 191591 INT-100161-001 Rev 1 11/24/15

DITEK CORPORATION

One DITEK Center
1720 Starkey Road
Largo, FL 33771
Sales: 1-800-753-2345
Technical Support: 1-888-472-6100

DITEK TSS2NM (Total Surge Solution)

System Overview

TSS2NM (Total Surge Solution-No Modules)

The TSS2NM is an integrated surge protection solution for alarm panels. This device provides transient voltage surge protection for AC power protection. There is also an area provided to add other electronics such as low voltage surge protection or a monitoring module.

Installation

Cabinet

Caution: This installation should be performed by a licensed contractor.

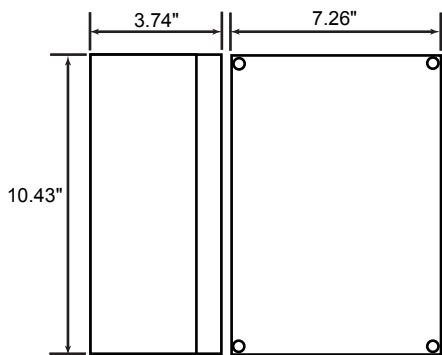
Note: Install this device between the field wiring and the alarm panel.

Disconnect system power before beginning installation.

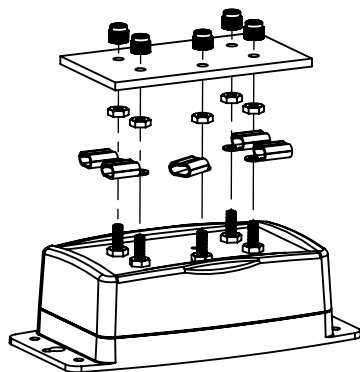
1. Locate an appropriate area for the cabinet near the alarm panel to be protected.
2. Position the TSS cabinet on the finished wall surface and fasten the cabinet to the wall.
3. Remove the appropriate knockouts from the cabinet to facilitate the routing of the field wiring and alarm panel supply wiring. Make sure the field wiring and the protected wiring to the alarm panel occupy separate conduit feeds.

Optional: Use a Nema 4X rated connector if you wish to maintain the NEMA 4X rating of the enclosure.
4. Pull the field wiring and the alarm panel supply wiring through the appropriate knockouts on the cabinet. Make sure to route the AC power wires separately from the loop circuit wires or monitoring module wires.

Note: When using the TSS2NM, the enclosure can be mounted directly onto a panel, frame or other mounting surface through corner mounting holes. Corner hole mounting is required to maintain the NEMA 4X rating.



TSS2NM Nema 4X

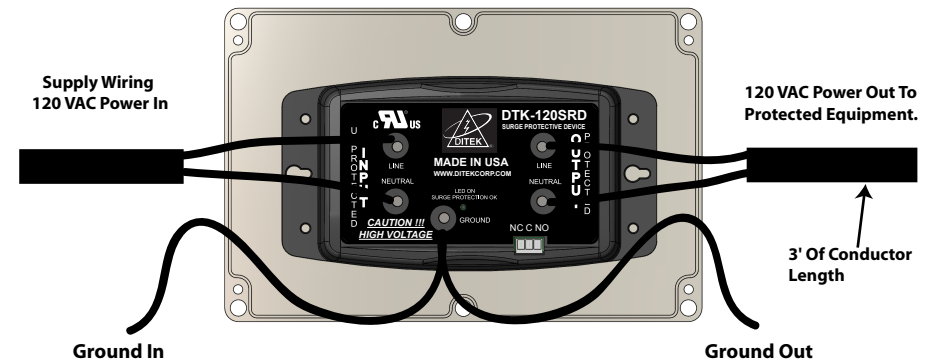


DTK-120SRD (120V Series Surge Protector)

Warning !! Turn power off at the main circuit breaker panel.

Note: Connect this device in series between the AC power supply wiring and the alarm panel AC inputs.

1. Crimp the supplied ring terminals to the connection wires.
2. Connect the Ground (green or bare) supply wire to the ground terminal on the DTK-120SRD.
3. Connect the Neutral (white) supply wire to the NEUTRAL terminal on the Input side.
4. Connect the Phase (black) supply wire to the LINE terminal on the Input side.
5. Connect the Ground, Neutral and Phase wires from the Output side to the alarm panel AC inputs.
6. After all connections have been made, torque the metal nuts to 10 inch pounds, then install the plastic protective cover and fasten with the included nylon nuts until snug.
7. If no hazards exist, restore power.



DRY CONTACT CIRCUIT INFORMATION

