



DITEK Corporation
ONE DITEK CENTER
1720 Starkey Road
Largo, FL 33771

INSTALL INSTRUCTIONS

DTK-SNAP-LITE Series

This Surge Protective Device (SPD) is a high performance device, designed to provide protection for sensitive electronic loads connected to service panels, fire panels, or where the SPD is directly connected to the electronic device. Maximum protection will only be achieved if the SPD is properly installed. Please read and follow the installation instructions carefully.

NOTICE: This SPD should be installed and grounded, by a licensed contractor, per the applicable requirements of the NEC.

When using the **DTK-SLxxxA** version, please take note that this device is an overvoltage and overcurrent protector and is intended for indoor use on a UL Listed 66 type block which is located on the equipment side of a UL Listed primary protector.

When using the **DTK-SLxxxB** version, please take note that this device is an overvoltage protector and is intended for indoor use on low power Communication Loop Circuits which have been isolated from the Public Switch Telephone Network. The Communication Loop Circuit shall not be exposed to accidental contact with electrical or power conductors. (National Electric Code, article 800). Do not use on incoming Telco lines.

APPLICATION

Surge suppression for Voice/Data circuits terminating onto 66 type wire management blocks.

INSTALLATION INSTRUCTIONS:

Caution: Measure all voltages to insure applied voltage does not exceed the voltage rating of the module. Improper installation voids the warranty.

SNAP-IT:

1. Install the **SNAP-LITE** surge protector across the punch down clips of the 66 Block using a gentle rolling action from one side to the other. If you encounter difficulty in installing the surge protector, **DO-NOT** force the **SNAP-LITE**. Instead, make sure the clips are not bent or deformed, then try a straight on approach to align the clips while rolling on the surge protector.

NOTE: The 66 type block can hold up to 25 **SNAP-LITE** devices.

2. The **SNAP-LITE** device is equipped with two test points per circuit for continuity checks with an OHM meter while the **SNAP-LITE** is installed.

3. Allow for 3' minimum length wiring from the OUTPUT of the SNAP-IT to the protected equipment.

GROUND BAR:

The **DTK-SIGB** ground bar fits in the ground slot of the **SNAP-LITE** and is designed for an interference fit and to be held captive by the ground contact. This ground bar has two breakaway tabs that allows a custom fit when a few **SNAP-LITE's** are installed on the 66 type block.

1. Break away one or both tabs, depending on the number of **SNAP-LITE's** are used.

NOTE: If using 25 **SNAP-LITE's**, do not break off any tabs.

2. Straddle each ground contact slot of each **SNAP-LITE** with the ground bar, then gently squeeze ground bar into ground slots. Use the Illustrations Page for more details.

GROUND CONNECTION:

3. Connect a minimum #14 AWG wire from the ground connector to the common earth ground. Always have one common ground per system to eliminate the possibility of a differential in ground potentials. Make sure the ground wire is as short as possible.

GROUND RESISTANCE RULE:

Max ground resistance is 25 Ohms, 5 Ohms or less is optimum.

This cannot be an assumed value and must be measured to assure proper grounding.

INSTALLATION



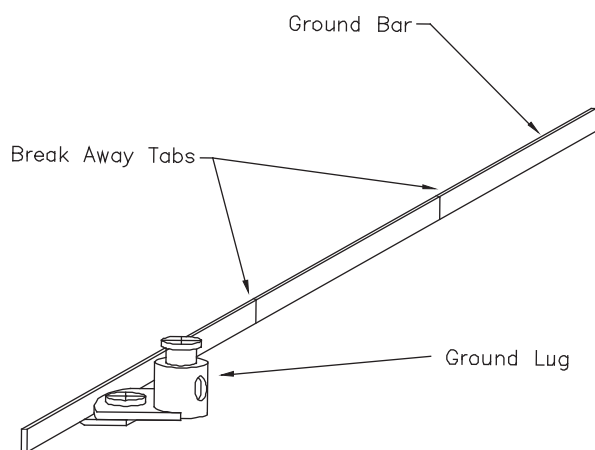
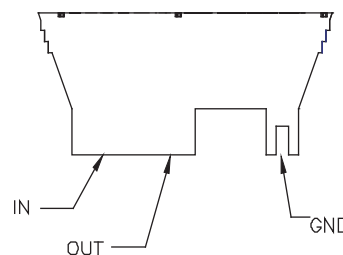
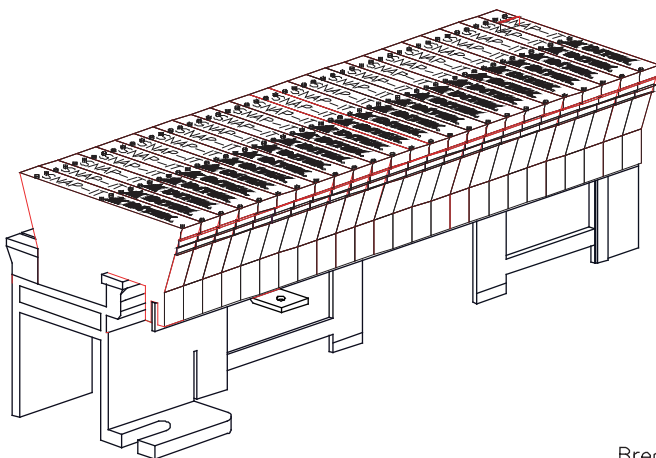
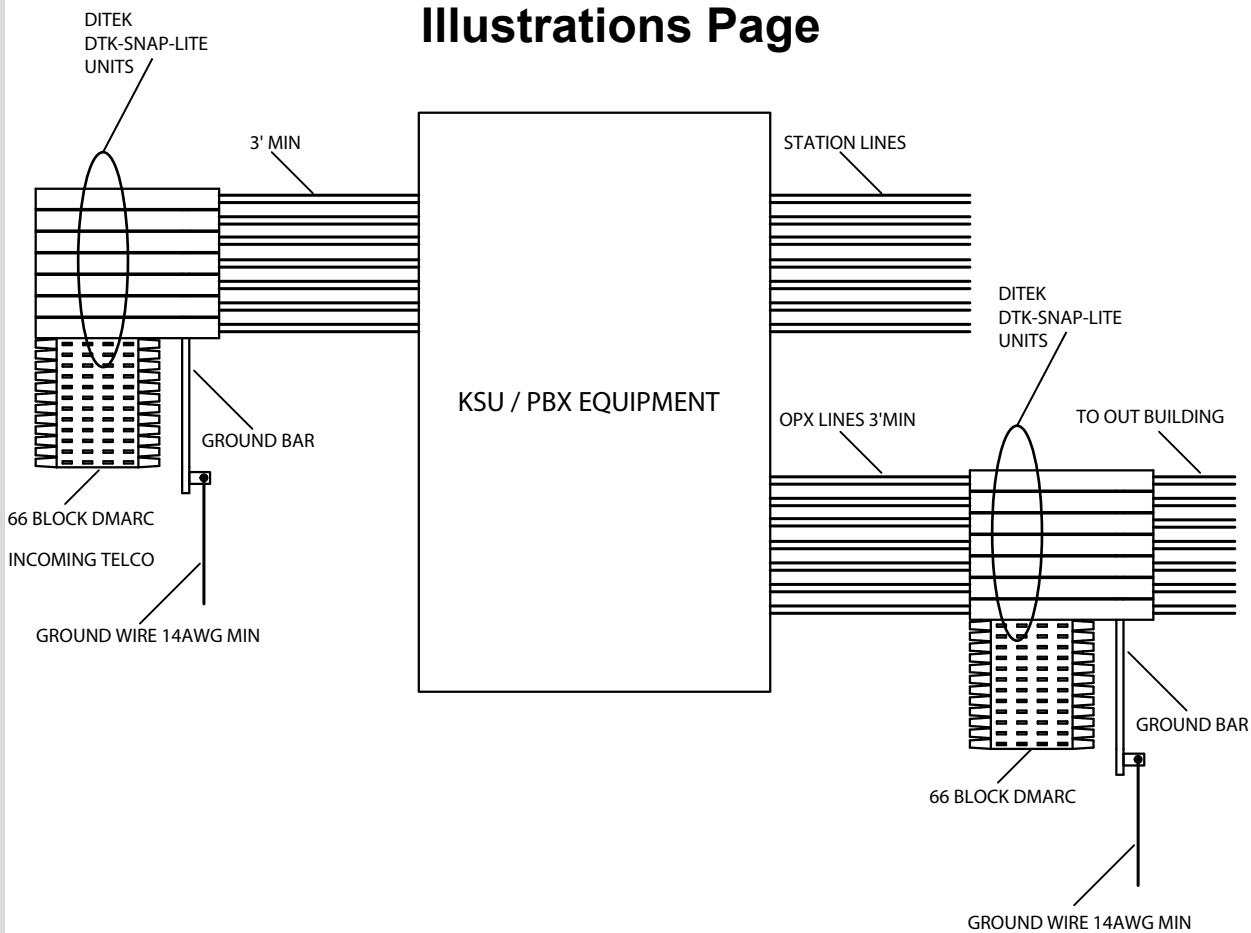
DITEK Corporation
 ONE DITEK CENTER
 1720 Starkey Road
 Largo, FL 33771

INSTALL INSTRUCTIONS

DTK-SNAP-LITE Series

Illustrations Page

INSTALLATION



VOLTAGE BREAKDOWN CHART	
MODEL	VOLTAGES
SL-30	30.0 VRMS
SL-50	50.0 VRMS
SL-95	95.0 VRMS
SL-130	130.0 VRMS

Drawn By: K. Nguyen 5-16-16
 Approved By: R. Mitchell 7-7-16

DITEK Technical Support Available 24/7
 1-888-472-6100 www.ditekcorp.com

Doc # INT-100010-001
 Part No. 191129 Rev. 2