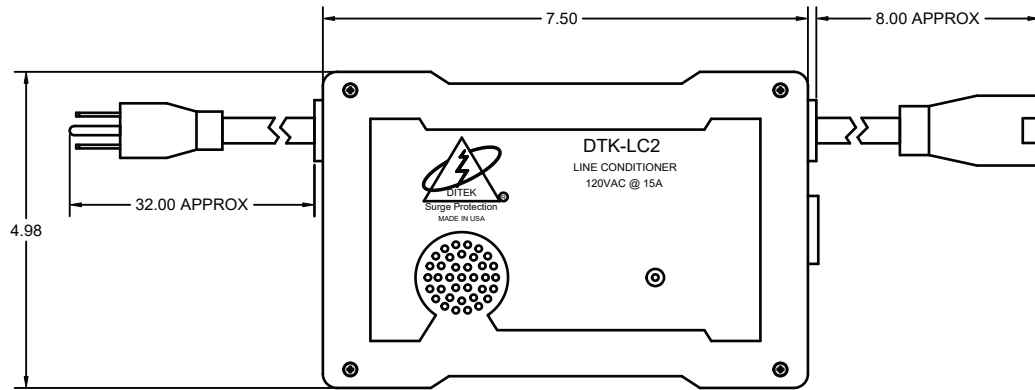


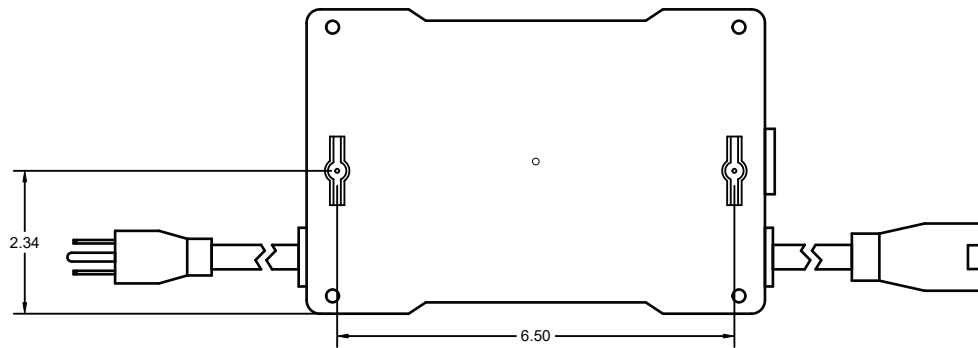
DTK-LC2
(Mounting Dimensions)



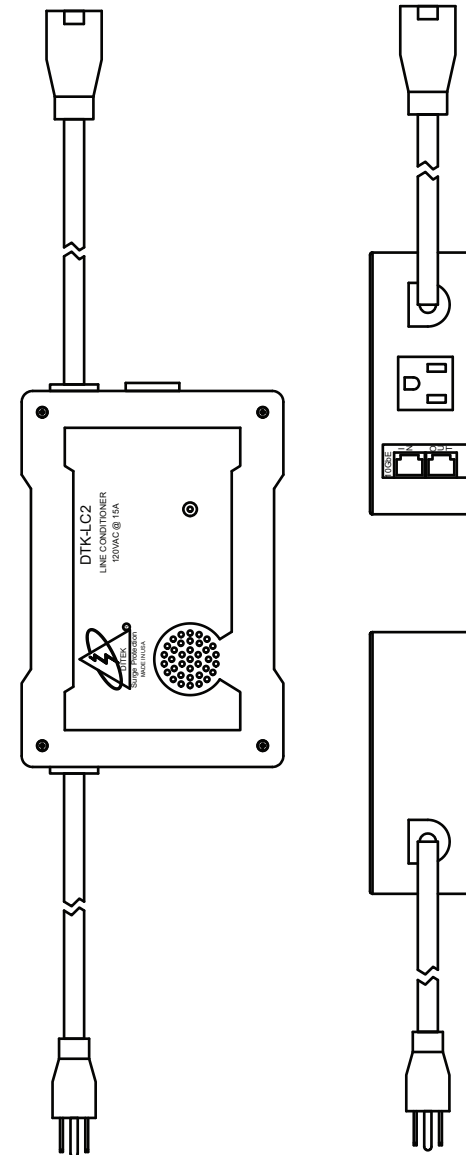
DTK-LC2 User Guide



Overall Footprint



Keyhole Mounting Slots



191625 INT-100188-001 Rev 1

DITEK CORPORATION

One DITEK Center 1720 Starkey Road Largo, FL 33771
1-800-753-2345 www.diteksurgeprotection.com

DITEK CORPORATION

One DITEK Center 1720 Starkey Road Largo, FL 33771
1-800-753-2345 www.diteksurgeprotection.com

DTK-LC2

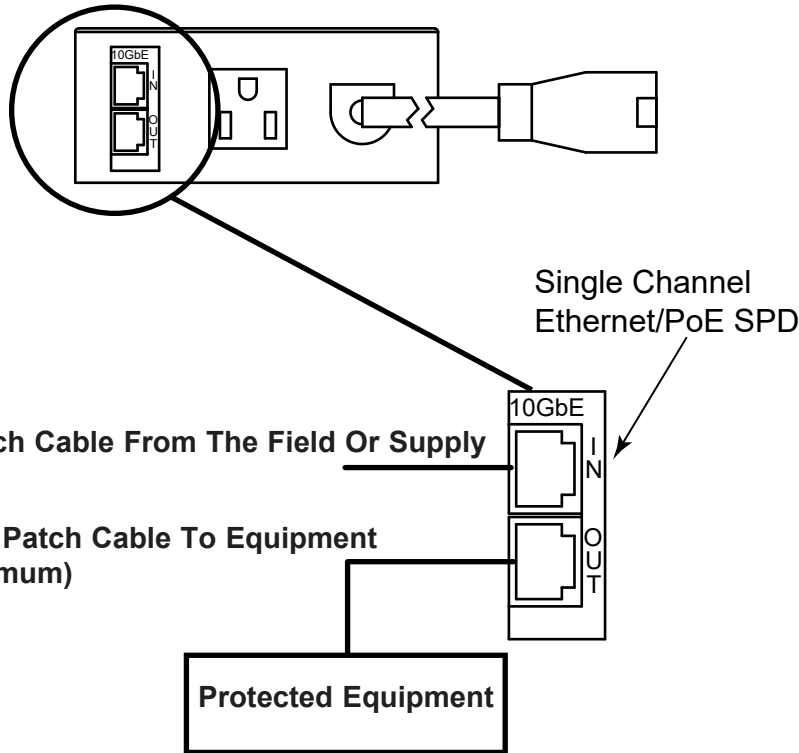
General Specifications

DTK-LC2 is a 120V 15A Cord Connected SPD/EMI Filter.

This device will provide surge protection for your critical equipment. It will also provide EMI filtering to assure clean power is delivered to your equipment.

The DTK-LC2 is equipped with an audible alarm that will provide an audible alert as to the status, or health, of your surge protection, as well as a diagnostic LED that provides a visual alert as to the status of your surge protection. When the LED has turned off and your audible alarm is sounding, your surge protector has gone end of life. There are no user serviceable parts for this model and it should be discarded and replaced with a new unit.

The DTK-LC2 is also equipped with a single channel Ethernet/PoE protection port. This can be used to protect the network connection of your equipment.



DTK-LC2 (120V 15A Cord Connected SPD/EMI Filter)

CAUTION: To Reduce The Risk of Electric Shock, Use Only in Dry Locations Indoors.

Warning: Turn power off at the main circuit breaker panel before beginning install.
Note: Connect this device in series between the 120VAC, 15A supply and the equipment to be protected.

1. Unplug the NEMA 5-15P (Plug), for your equipment, from the grounded house NEMA 5-15R (Receptacle). Both Plug and Receptacle must be grounded for the DTK-LC2 to perform as designed.
2. Insert the NEMA 5-15P from the DTK-LC2 into the grounded house NEMA 5-15R.
3. Insert the NEMA 5-15P for your equipment into the DTK-LC2's Fixed Receptacle or Output Corded Receptacle. Either or both may be used but you are limited to 15A total current draw.
4. Mount this device in accordance with the dimensions posted on the back page of this guide.
5. After all connections have been made and no hazards exist, restore power.

