



# DTK-DF120S1

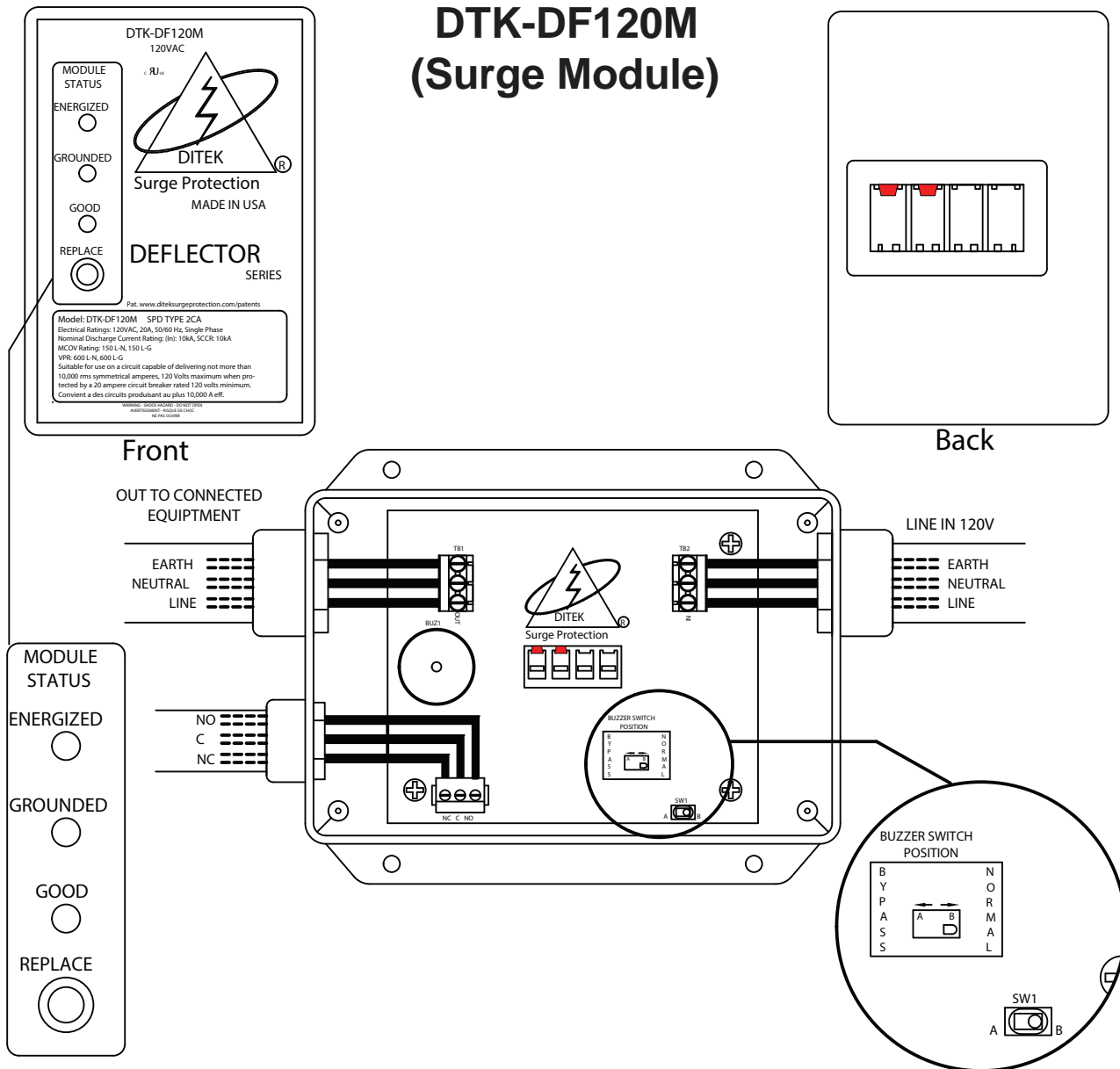
## User Guide



### DITEK CORPORATION

One DITEK Center 1720 Starkey Road Largo, FL 33771  
1-800-753-2345 [www.diteksurgeprotection.com](http://www.diteksurgeprotection.com)

# DTK-DF120M (Surge Module)



The DTK-DF120S1 is a series connected Surge Protective Device with a replaceable surge module. The LED indicators on the top face of the DTK-DF120M provide power, ground and surge module health status. When the DTK-DF120M surge module has gone end of life, the large “REPLACE” RED LED will illuminate and the “GOOD” LED will turn off. Also, the audible alarm will sound to provide an extra alert as to the surge module’s health. To silence the alarm, remove the dead module and replace it with a new, unused module. If a new module is not available, the alarm can be silenced by moving the toggle switch into the A, or BYPASS position. When a new DTK-DF120M surge module is available, this toggle switch must be moved to the B, or the NORMAL position before installing the new module. This action will also require the cover to be removed to gain access to this switch. The red polarizing keys insure that the correct voltage module will mate with its corresponding base.

**CAUTION:** By removing the cover, you will be exposed to live metal parts and there is a risk of electrocution.

**WARNING:** Removing the cover should only be performed by a licensed electrician.

**WARNING:** When the DTK-120M module has gone end of life, or is missing, the base is susceptible to damage from surge energy. Make sure you always have a spare module available. No substitutions shall be permitted.

# DTK-DF120S1 (120V 20A Series Surge Protective Device)

**CAUTION: Risk of Electric Shock-Only intended for installation in accordance with National Electric Code, ANSI/NFPA-70, Article 398.**

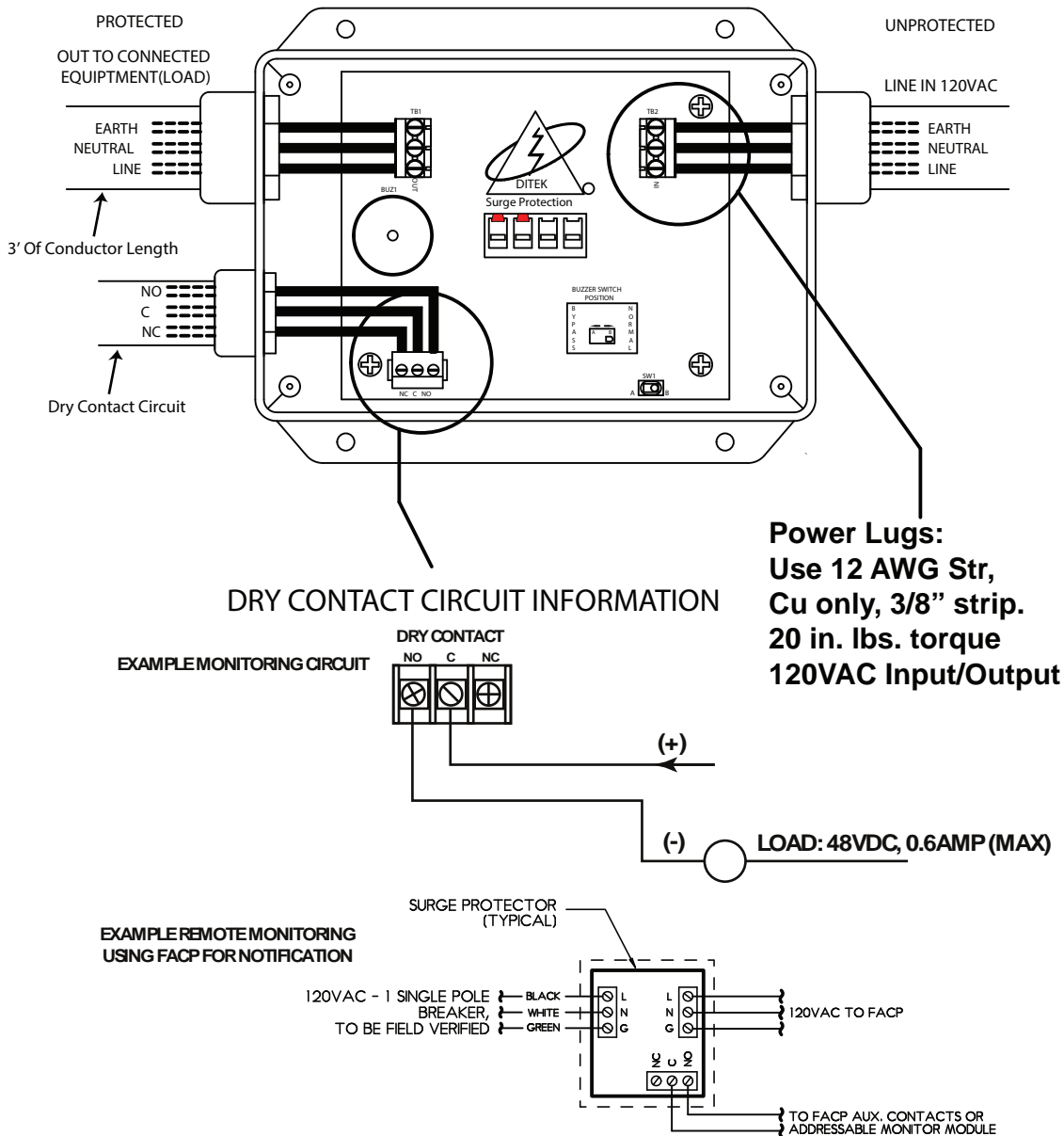
**Warning:** Turn power off at the main circuit breaker panel before beginning install.

Note: Connect this device in series between the 120VAC power supply and the alarm panel, or branch panel 120VAC inputs. Use 12 AWG Stranded, Cu only conductors with a 3/8" strip length when terminating the wires at the power lugs. The conductors used to connect the SPD, to the line or bus and to ground, shall not be any longer than necessary and shall avoid unnecessary bends.

1. Remove cover and save screws.
2. Connect the Ground (green or bare) to the EARTH terminal.
3. Connect the Neutral (white) supply wire to the NEUTRAL terminal on LINE-IN side.
4. Connect the Phase (black) supply wire to the LINE terminal on LINE-IN side.
5. Connect the Ground, Neutral and Phase wires from the LOAD-OUT side to the alarm panel, or branch panel AC inputs.

Note: Tightening torque for the 120VAC power connections is 20 in. lbs.

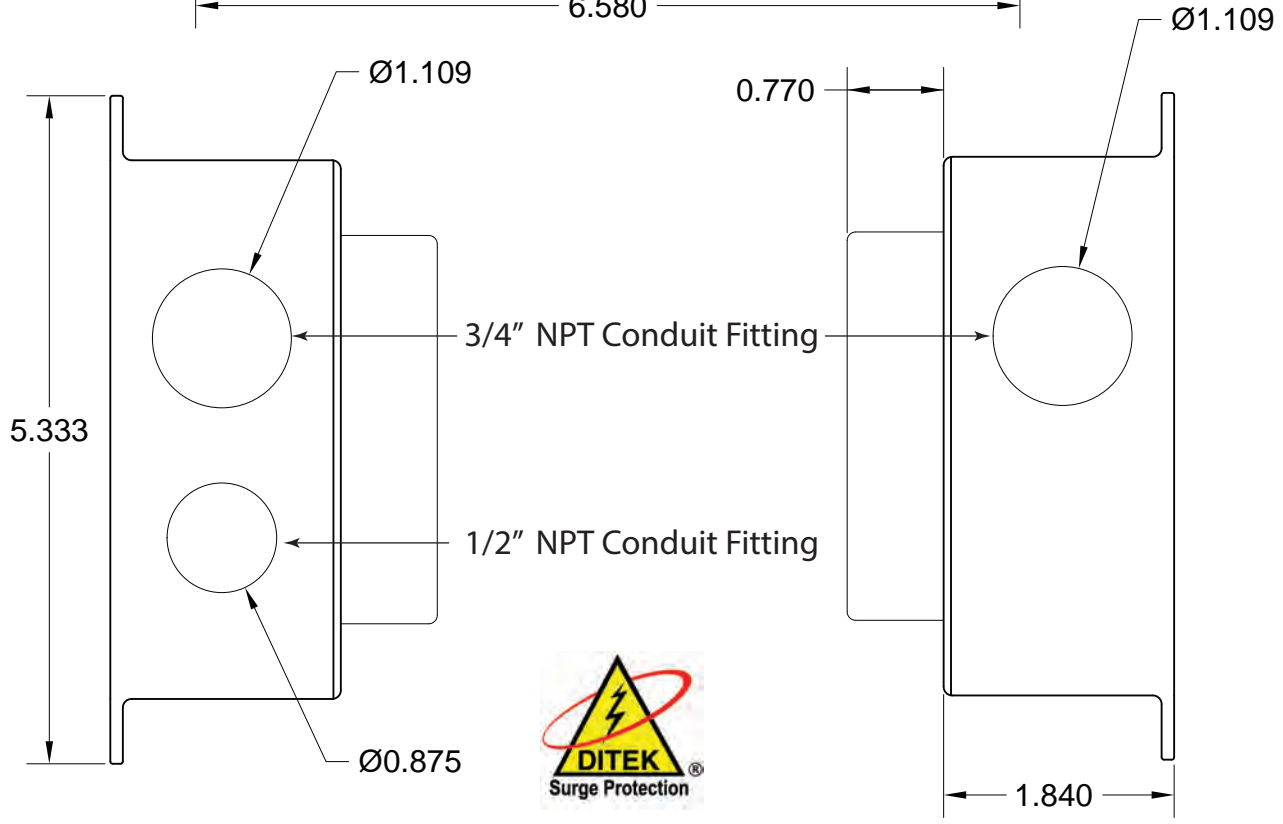
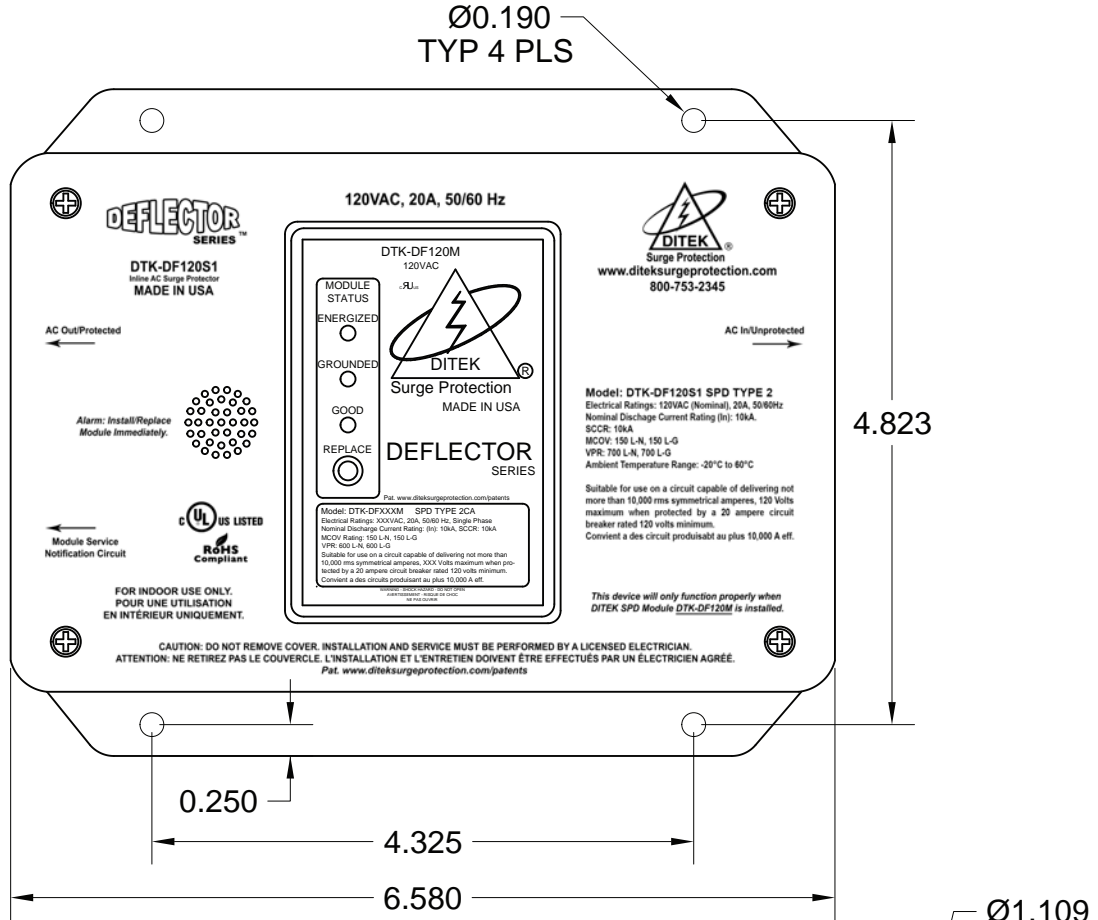
6. Use appropriately sized conduit fittings and conduit to protect wiring, replace cover.
7. After all connections have been made and no hazards exist, insert DTK-DF120M surge module and restore power.



# DTK-DF120S1

## (Mounting Dimensions)

Use appropriately sized conduit fittings and conduit. (Not Included)



191603 INT-100172-001 Rev 1

### DITEK CORPORATION

One DITEK Center 1720 Starkey Road Largo, FL 33771  
 1-800-753-2345 [www.diteksurgeprotection.com](http://www.diteksurgeprotection.com)