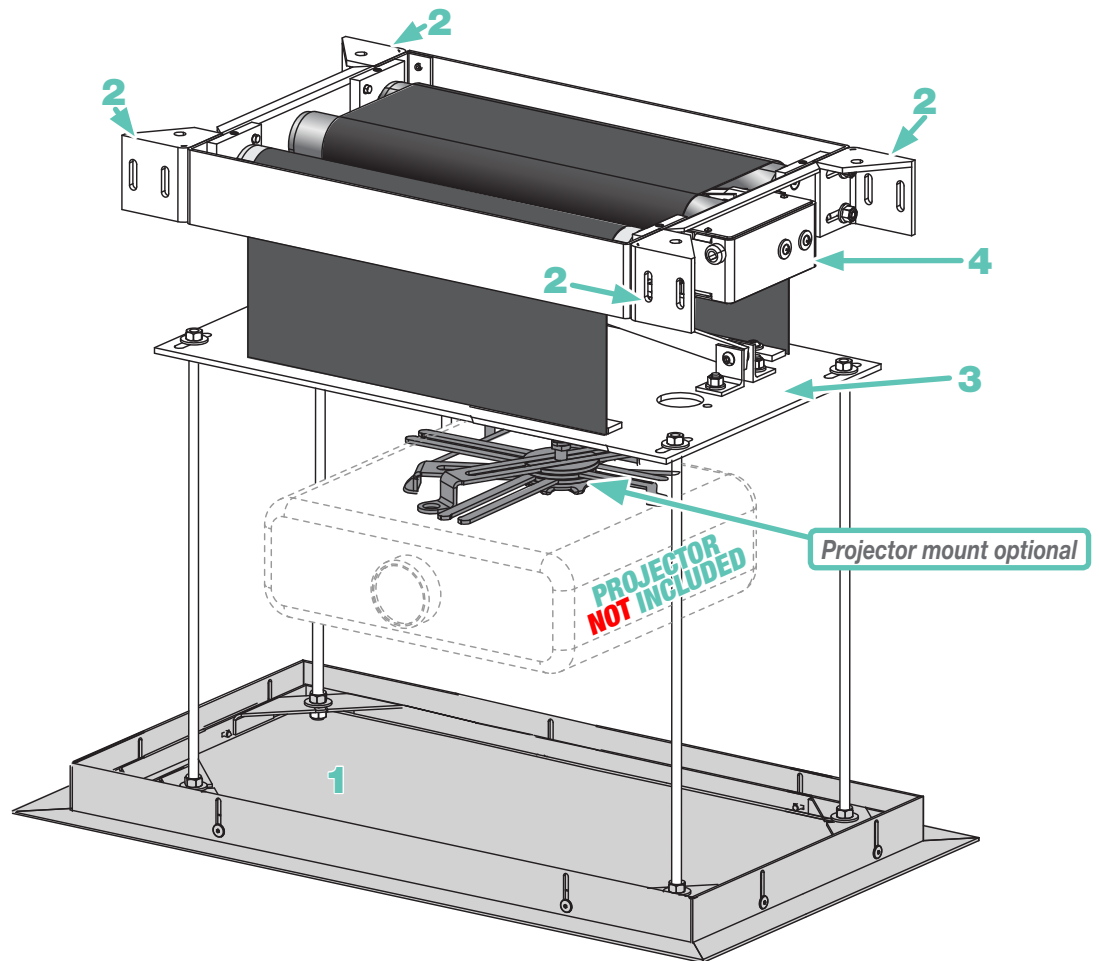


Overview - Components

- 1 Optional closure panel with threaded rods to attach to bottom/travelling pan of lift
- 2 Mounting Brackets
- 3 Travelling Pan
- 4 Electrical Junction Box

Please Note: Projector not included



Overview - Planning

- 1 Based on screen location and projector specifications, determine proper position for projector installation.
- 2 Confirm that there is adequate space for installation and operation. Minimum clearance above ceiling level varies according to height of projector, optional projector mounting bracket, optional ceiling closure and optional Environmental Housing.
- 3 Arrange to provide service access to the unit.
- 4 When installed with Environmental Air Space Housing unit is suitable for use in an environmental air space in accordance with in accordance with Section 300.22(C) of the National Electrical Code, and Section 2-128, 12-010(3) and 12-100 of the Canadian Electrical Code, Part 1, CSA C22.1.
- 5 Total capacity of lift is 35 lbs, including closure, projector and bracket.

As Soon As AeroLift 35 Arrives

- 1 Open carton and inspect for damage.
- 2 Locate the following parts:
 - A. The unit itself
 - B. Controls
 - C. Any optional equipment

Contents

Overview - Components.....	1	Section 5 - Wiring Diagrams.....	4
Overview - Planning.....	1	Section 6 - Operation.....	5
Please Read: Warnings and Safety Information	2	Section 7 - Testing Safety Limit Switches	5
Section 1 - Hanging Unit.....	2	Section 8 - Adjustments	6
Section 2 - Installing Optional Environmental Air Space Housing	3	Section 9 - Installing Ceiling Closure.....	7
Section 3 - Installing Projector	3	Installing Optional Ceiling Trim Kit.....	7
Section 4 - Electrical Connections.....	4	Section 10 -Dimensions	8

If you have any difficulties installing or servicing your AeroLift 35, call your dealer or Draper, Inc.

! WARNING !

Please Note: An appropriate disconnect device shall be provided as part of the building installation.

Aerolift must be installed in accordance with the requirements of Local Building Codes, Canadian Electrical Code (CEC), CAN/CSA C22.1 and National Electric Code (NEC), NFPA 70. Improper installation and use of the AeroLift 35 Projector Lift can result in serious injury or death. Primarily, injuries can occur if the unit falls due to imprecise installation, mishandling of the unit during installation or installation on an insufficient wall or ceiling structure. Please use extreme care.

When using an electrical mounting system, basic precautions should always be followed, including the following:

Please read the following installation guidelines thoroughly before using this mounting system.
Failure to do so may cause product to fall or otherwise fail, and could result in serious injury.

! DANGER - To reduce the risk of electric shock:

1. Remove power before cleaning.

! WARNING - To reduce the risk of burns, fire, electric shock, or injury to persons.

2. Remove power before putting on or taking off parts.
3. Use this mounting system only for its intended use as described in these instructions. Do not use attachments not recommended by the manufacturer.
4. If AeroLift mounting system is not working properly, call your dealer or Draper, Inc., (765) 987-7999.
5. Never operate the mounting system with the air openings blocked.
6. Never drop or insert any object into any opening.
7. Do not use outdoors.
8. Installation and calibration of the unit should only be performed by an authorized, qualified, and experienced professional. In particular, electrical work and wiring [indicated in diagram by dashed lines] must be completed only by a qualified professional electrician who has read this manual completely and is familiar with the construction and operation of this equipment and the hazards involved.
9. Do not affix the unit to walls or ceilings that have inadequate strength to permanently hold the unit during use. It is the owner's and installer's responsibility to confirm the wall or ceiling to which the unit attaches is sufficient to permanently hold the weight and stress loads of the unit at all times. Draper, Inc., is not responsible for improper installation, application, testing or workmanship related to the product at place of installation.
10. It is the installer's responsibility to make sure appropriate fasteners are used for mounting.

11. All hardware must be installed level. Unit must be level and square.
12. Never leave the area while operating the unit during installation, maintenance, or normal operation, unless it is secure and safe.
13. Before testing or operation, carefully inspect the entire area and path (especially underneath) of unit to be sure no persons or objects are in the area.
14. Turn off power and any nearby equipment or cables carrying electricity before connecting switches, wires, controls, or electrical components.
15. Make sure the limit switches are pointed down or accessible when placing the motor in brackets.
16. All motors should be tested and limits set using test cord before unit is wired.
17. Do not wire motors in parallel without written permission from Draper, Inc.
18. During testing or operation, carefully watch the surrounding area for any potential safety concerns including nearby persons or objects.
19. After installation, the entire system, including all sensors, should be carefully tested to ensure safe and normal operation. Extreme care should be taken during testing to remain clear of moving parts to avoid possible injury.
20. Operation of unit should be performed only by authorized and qualified personnel, who have been trained in its safe and effective operation and understand its safety features.
21. The safety features of the unit should never be disabled, bypassed or overridden. The system should not be operated until all safety features are properly and completely installed, calibrated and tested.
22. Unit may need to comply with local, state or district rules and regulations, in particular when installed in schools. All applicable rules and regulations should be reviewed before installation and use.
23. *Failure to precisely follow installation guidelines invalidates all warranties.*
24. Custom products/installations may not be reflected in this manual. Call Draper, Inc., if you have questions about the installation of custom products or any questions about your installation.

Before Beginning Installation

1. Look for any job site conditions that could interfere with installation or operation of the system.
2. Read carefully and be sure to understand all installation instructions and all related operations manuals. These instructions are intended to serve as a guide for the installer and owner. They should be followed closely and combined with the expertise of experienced qualified installers. Draper, Inc., is not responsible for improper installation, application, testing or workmanship related to the product at place of installation. Please retain all instructions for future use.
3. Open cartons lengthwise.
4. Locate and lay out all pieces.
5. Inspect all boxes to make sure you have received the proper unit and parts. Controls may be shipped separately, or in same carton as unit.
6. If you have any difficulties with installing, servicing or operating your unit, call your dealer or Draper, Inc., (765) 987-7999.

Section 1 - Hanging Unit

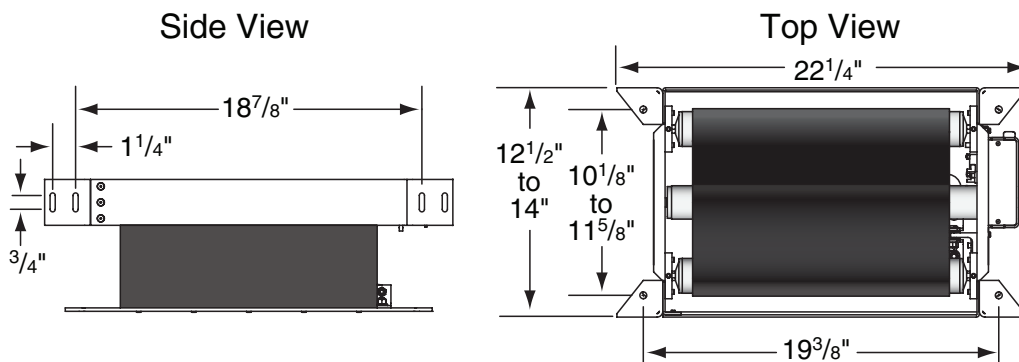
The AeroLift 35 is provided with four (4) mounting angles for suspending or direct mounting the unit from above or direct mounting from the sides. These angles provide up to 1½" of adjustment (*front to back*). The AeroLift 35 is designed to fit between joists spaced 16" apart on center (*assuming 2" joists*), and to close to approximately 4", not including the projector, bracket or closure. The unit should be guy wired or blocked to prevent swinging. All installations should observe the following guidelines:

- 1 Installer must ensure that all fasteners and supports are of adequate strength to securely support AeroLift 35 and projector. It is recommended that hardware structure be able to hold at least four times the combined weight of the lift, projector, housing, closure and ceiling material attached to closure.

! Caution: DO NOT hang from, "ride" or pull down on the unit. This could create a failure and cause damage and/or injury.

- 2 Fastening methods must be suitable for mounting surface, and securely anchored so that vibration or abusive pulling on unit will not weaken installation.
- 3 Bottom of unit must be unobstructed after installation. Sufficient clearance must be allowed below projector or optional ceiling closure.
- 4 Do not use unit to support adjacent ceiling, light fixtures, etc.
- 5 Do not complete the ceiling below unit until electrical connections have been completed and unit has been operated successfully.
- 6 Use slots on the projector plate and on the closure to adjust the unit to ensure proper alignment of ceiling closure relative to ceiling opening.

AeroLift 35
Relevant Mounting
Dimensions

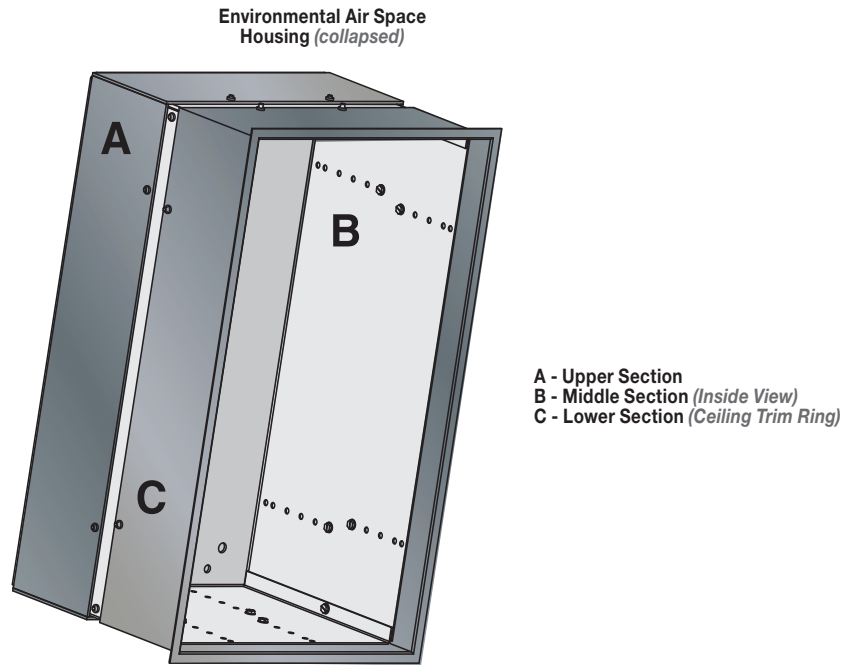


Section 2 - Installing Optional Environmental Air Space Housing

The Environmental Air Space Housing is shipped pre-assembled in its shortest position. Adjust height of housing by moving screws to different mounting holes in side panels. Incremental adjustment for top screw and bottom screw is ½"; incremental adjustment for other screws is 1". Install the housing in a pre-assembled state or as separate components (*Requires housing be completely disassembled prior to installation*).

Please note: If Environmental Air Space Housing is to be installed in a space with no access from above housing, it is recommended that the AeroLift 35 be installed to upper section prior to installing housing. An access panel should then be installed.

- 1 Install top section using outer four holes located on top of upper section. If installing large housing, make sure to orient properly to allow correct placement of lift within housing.
- 2 If installing large closure, attach brackets to bottom of projector plate.
- 3 Attach AeroLift 35 to upper section of housing through inner four holes in upper section with provided 5/16" -18 x 7/8" hex head screws, 5/16" flat washers and lock nuts. Lock nuts should be used above housing (*one per screw*).
- 4 Attach the two flat panels of middle section across from each other with the clinch nuts to the outside of housing.
- 5 Attach the two middle section panels with formed ends across from one another.
- 6 Attach lower section of housing.



Section 3 - Installing Projector

Draper's optional Universal Projector Mount will hold up to 26 lbs.

See Installation Instructions included with Universal Projector Mount.

If not using Draper's Universal Projector Mount, generally the video projector should be suspended from the bottom pan according to projector manufacturer's instructions.

If installing with a small closure, maximum projector size is 18" x 8¾" (*width x length x Environmental Air Space Housing height*).

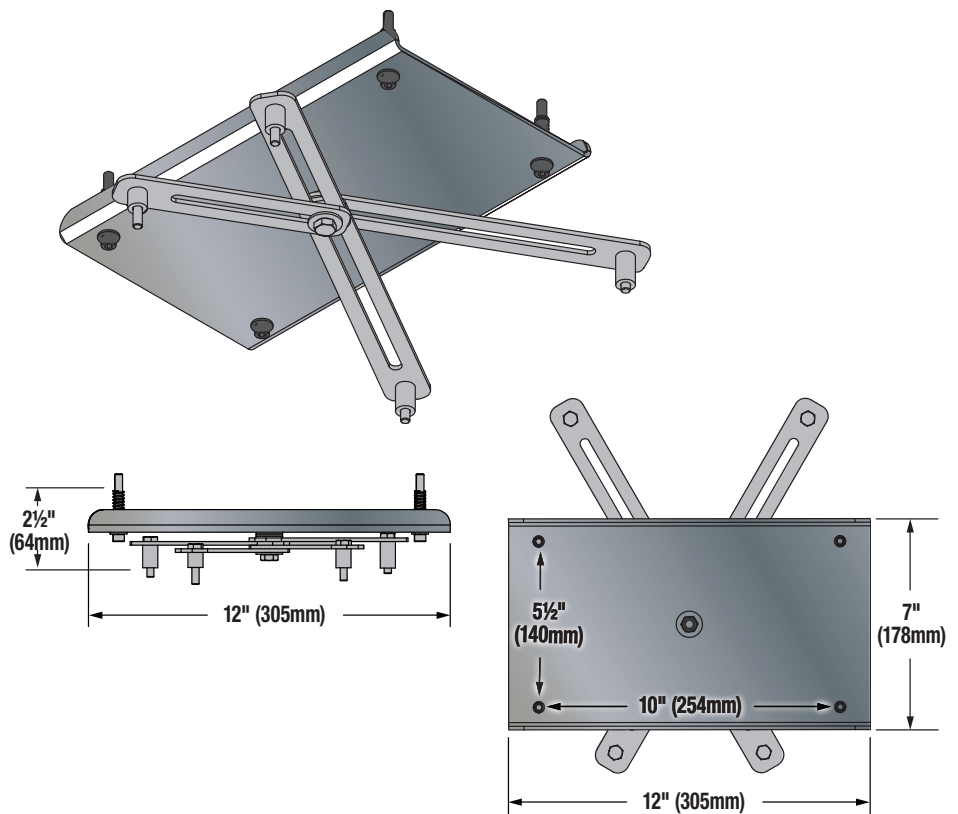
If installing with a large closure, maximum projector size is 18" x 18" (*width x length x Housing height*).

The projector plate is not pre-drilled.

When drilling initial holes for mounting projector, or if for any reason the hole placement must be changed, completely lower AeroLift before attempting to drill holes. When attaching projector bracket to plate, make sure screws are short enough that they do not touch the motor/roller above the plate when lift is closed.

Unit and projection system should be operated, checked and adjusted as necessary at this time (*see p. 5 for limit adjustment procedures*).

⚠ Warning: Keep fingers & other objects away from ceiling closure when unit is operating. Serious injury or damage can result.



Section 4 - Electrical Connections

Unit operates on 110-120V AC, 60 Hz. current.

The AeroLift 35 ships closed, with a temporary field connection provided in the form of a pigtail temporarily wired to unit.

After hanging unit, make sure power is off, remove Jbox cover and temporarily connect the unit to power and to a switch, so unit can be lowered to allow access inside.

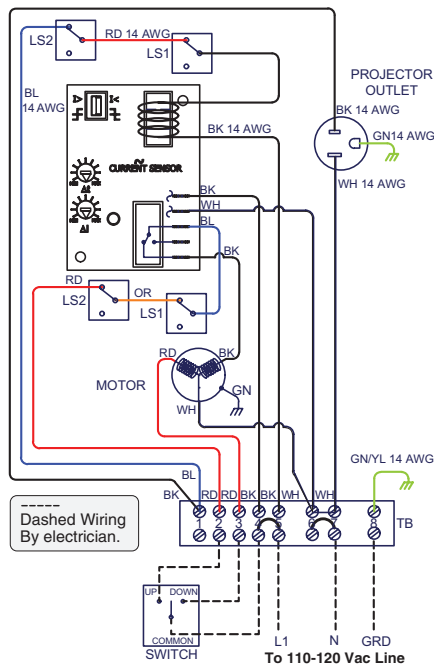
AeroLift must be installed in accordance with requirements of Local Building Codes, the Canadian Electrical Code (CEC), CAN/CSA C22.1 and the National Electric Code (NEC), NFPA 70. All operating switches should be "off" before power is connected.

Please Note: Make sure electrical supply has been disconnected before attempting to connect AeroLift 35 to electricity.

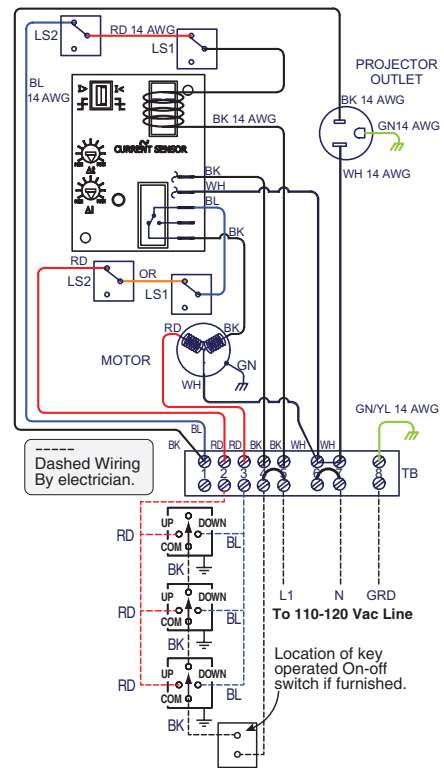
Terminal strip for field connections is located inside a junction box on the end of the unit. Unit ships with internal lift wiring complete to terminal strip. Use switch to lower lift and remove packing. Remove temporary wiring and complete permanent wiring to electricity and to switches. Wire to connect unit to power supply and to switches should be furnished by installer. Connections should be made in accordance with wiring diagram. AeroLift 35 should be operated and checked prior to installing projector and/or optional ceiling closure.

Section 5 - Wiring Diagrams

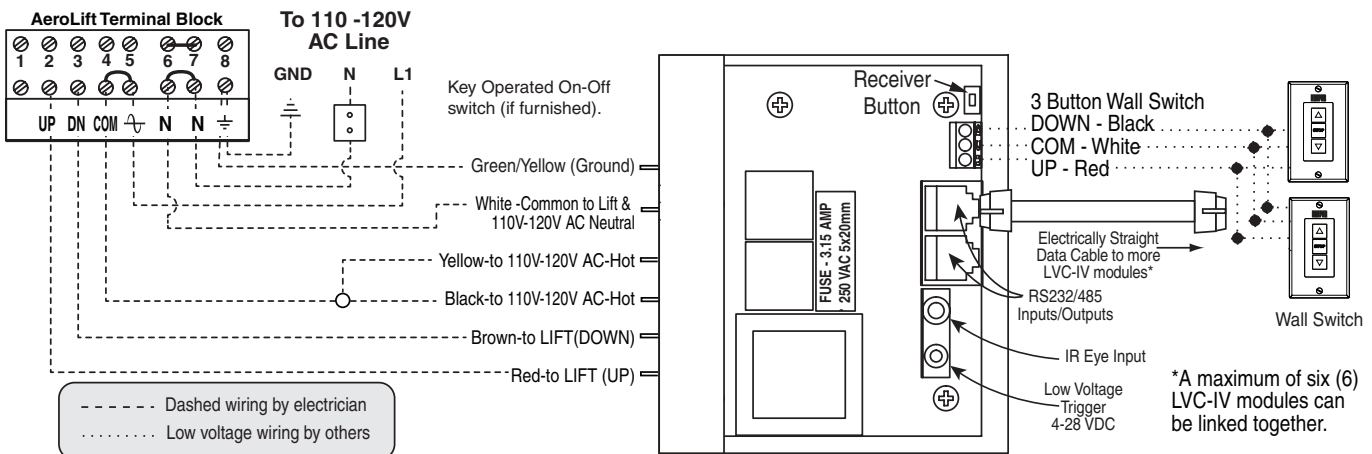
Single Station Control



Multi Station Control



Lift LVC - AeroLift Wiring Diagram



Section 6 - Operation

When unit is first operated, be cautious! If unit fails to operate when the switch is flipped “down”, return switch to “off” and recheck electrical connections before proceeding. Cycle unit down and up several times to confirm satisfactory operation.

Please Note: Optional 24V Control, Infrared or Radio Frequency Control, and RS232/ethernet require LVC-IV. (LVC-IV is optional, and does not come standard.)

110-120V Single Station Control — 3-position up-off-down switch permits operation to be stopped at any point. Factory adjusted limit switches automatically stop AeroLift 35 when fully down or fully up.

Optional 110-120V Multiple Station Control — Switches are similar in appearance to 110-120V Single Station Control. AeroLift 35 stops when switch is released and may be restarted in either direction. Factory adjusted limit switches automatically stop AeroLift 35 when up or fully down.

Optional 24V Control — Three-button up-stop-down switches stop at any point desired, operate in any sequence. Factory adjusted limit switches automatically stop AeroLift 35 when fully up or fully down.

Optional Infrared or Radio Frequency Remote Control — If ordered, a three-button transmitter is provided, with “up”, “down”, and “stop” buttons. Unit starts up or down when appropriate button is pressed, and may be stopped by pressing “off” button. Factory set limit switches stop unit automatically when projector is in “show” position.

Optional RS232/Ethernet— Serial communication and network communication optionally available with wall switches, RF or IR remote.

Optional Key Operated Switching — Two kinds of key-operated switches available:

- 1 The key-operated power supply switch controls power to the AeroLift 35 and switches. When it is “off”, the switches will not operate lift. Key may be removed from the switch in either “on” or “off” position.
- 2 A three-position key switch permits the AeroLift 35 to be operated directly by key. In this case, the screen's operator must always have a key.

Section 7 - Testing Safety Limit Switches

The AeroLift 35 is equipped with two Safety Limit Switches (see “Adjustments”). This switch may be damaged during shipping or by rough handling on the job site. Once the AeroLift 35 has been installed in the ceiling, but before the projector and closure are attached, the Safety Limit must be tested. Use a screwdriver or other tool to press and hold the switch. While holding down the switch, have someone operate the unit. If the unit works while the switch is depressed, the limit switch is broken and must be replaced. Operating the unit without a functioning Safety Limit Switch could cause the unit's motor to continue operating after the lift is closed, leading to a failure and the possibility of damage or injury.

Please Note: As weight is applied to the AeroLift 35, the projector plate may shift slightly. If this occurs, use setscrews on bottom of fabric roller brackets to compensate for shift and level projector plate.

Section 8 - Adjustments

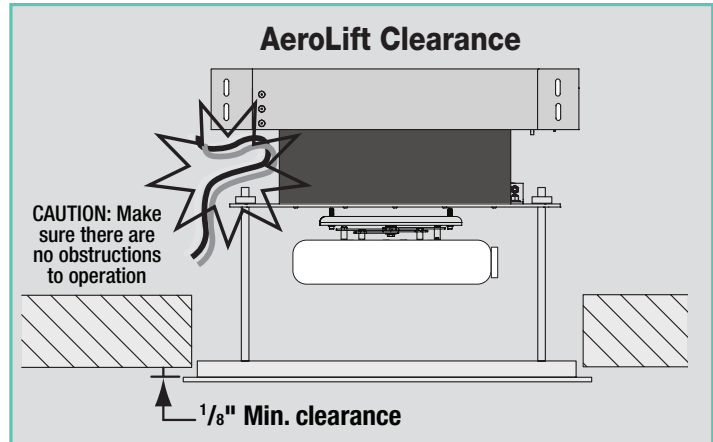
⚠ CAUTION: Be sure all switches are in "off" position before adjusting limit switches. Always be prepared to shut lift off manually when new adjustment is being tested.

Limit switches for the AeroLift are preset at the factory. The "Up" (*closed*) limit switch is set for fully closed. The "down" (*show*) limit switch is set for fully lowered. Once unit is in place, the "down" limit switch may need to be changed to stop the AeroLift closer to the ceiling (*that is, to raise the "down" position*). Limit switches are located on the end of roller, and are accessible by removing the cover of the junction box at the left end of the unit. To adjust the limit switches, use a $\frac{5}{32}$ " screwdriver/allen wrench.

⚠ Caution: It is not uncommon to overheat the motor during initial installation when setting limits. The motor is thermally protected and will stop working until it has cooled to a safe temperature before it will start operating again. DO NOT physically pull the unit down when this occurs.

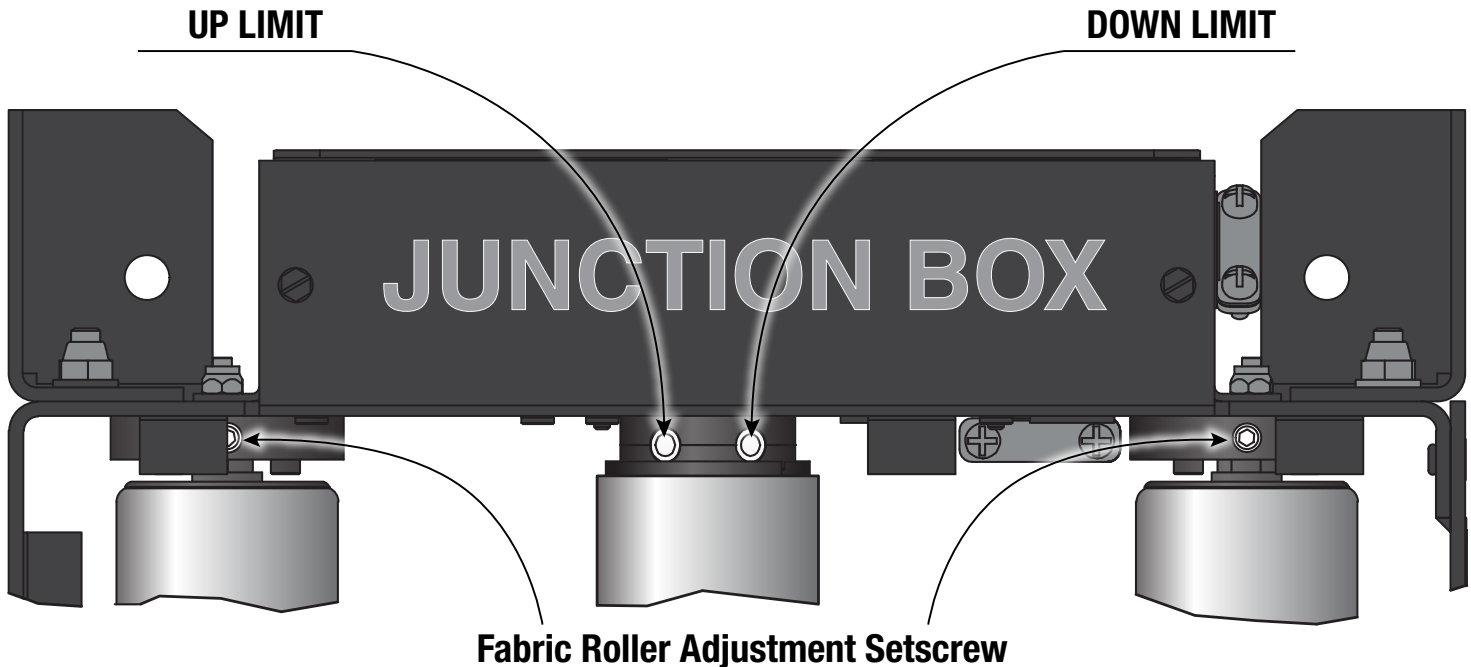
Adjusting "Down" (SHOW position) – "Down" position may be adjusted by turning the DOWN limit switch adjustment socket. Turning the socket clockwise will stop the AeroLift closer to the ceiling. Turning it counter-clockwise will cause the lift to stop at a lower point.

Adjusting "Up" (CLOSED position) – Because the "up" (*"closed"*) position is preset at the factory, Draper does not recommend changing this position using the limit switch. The "up" position of the closure may be changed by changing the length of threaded rod. If necessary, however, "up" position may be adjusted by turning the UP limit switch adjustment socket. Turning the socket counterclockwise creates a higher, or more fully closed position. Turning it clockwise creates a lower 'UP' (*closed*) position.



⚠ Caution: Make sure limit switch is set so that AeroLift motor is NOT still running after lift is closed. If it continues to cycle once lift is closed, a failure may occur, making unit descend rapidly and causing damage and/or injury.

Please Note: If load is off-center of pan, it may be necessary to adjust pitch of fabric rollers. One setscrew is provided on each end of both fabric rollers (*see drawing*). Use these to adjust roller pitch to keep entire fabric panel taut, so load is evenly distributed. Use $\frac{1}{8}$ " hex key to adjust.



Section 9 - Installing Ceiling Closure

If unit is equipped with a ceiling closure system, use either as is, or in conjunction with a piece of existing ceiling tile.

Please refer to diagrams at right for instructions.

- 1 If installing with ceiling tile, it may be necessary to cut tile so overall dimensions are same as (or slightly less than) closure panel. Place tile into trim frame. Lay closure panel on top (back side) of ceiling tile, and tighten screws to hold in place.
- 2 If installing large closure, attach brackets to bottom of projector plate.
- 3 Attach $\frac{5}{16}$ " threaded rods to slots in projector plate or brackets.

⚠ Caution: Ensure bolts and nuts attaching brackets to AeroLift are completely tightened.

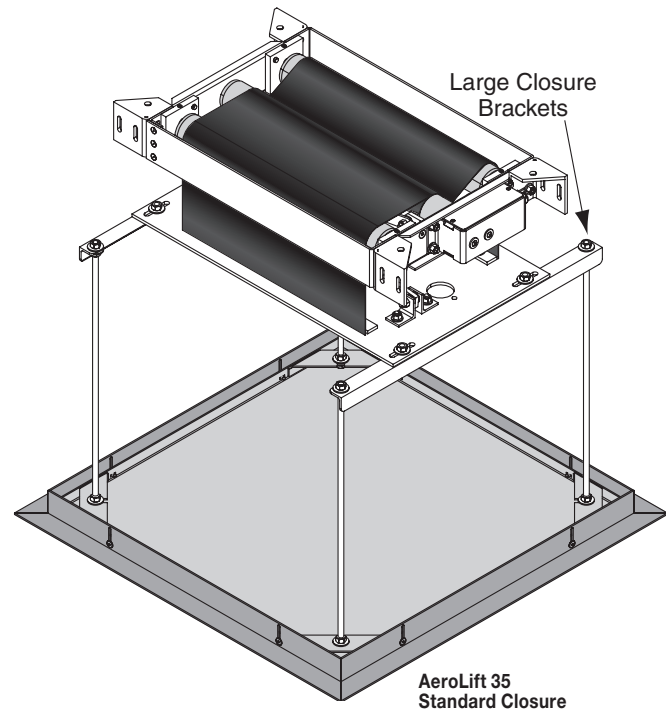
- 4 Run unit "up" until bottom pan stops at highest position. Mark position on $\frac{5}{16}$ " rods flush with ceiling level and cut rods to length (removing from pan if convenient).
- 5 Run unit "down" until bottom pan stops at "show" position.
- 6 Attach closure to lower end of $\frac{5}{16}$ " rods by slipping into four corner slots and secure with nuts above and below slots.
- 7 Run unit "up" again to highest position. Measure distance by which panel fails to reach required "closed" height for surrounding ceiling.

⚠ Caution: Make sure nuts are completely tightened.

- 8 Run unit "down" then re-adjust mounting of $\frac{5}{16}$ " rods in traveling grid to raise panel required distance.
- 9 Test unit operation to confirm that panel will stop in closed position just before touching ceiling.

⚠ Caution: DO NOT hang from, "ride," or pull down on unit. This could create a failure and cause damage and/or injury.

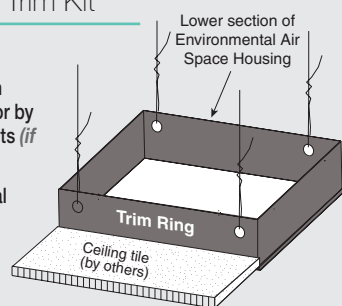
PLEASE NOTE: Immediately upon completing surrounding ceiling, operate unit to confirm that optional ceiling closure panel stops $\frac{1}{8}$ " short of ceiling in closed position. If closure panel touches ceiling, motor may continue operating after lift is closed. If it continues to cycle once lift is closed, a failure may occur, making unit descend rapidly and cause damage and/or injury.



AeroLift 35 Standard Closure

Installing Optional Ceiling Trim Kit

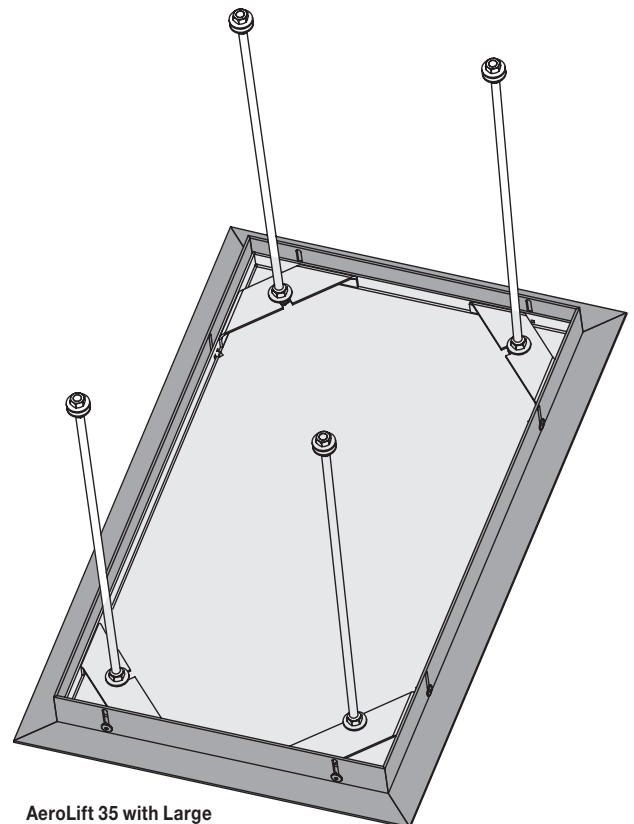
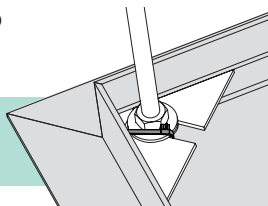
- 1 Install AeroLift 35.
- 2 Install bottom section of housing in opening by suspending with wire, or by mounting directly to the ceiling joists (if space permits).
- 3 Install projector and attach optional ceiling closure.



For Additional Safety:

- 1 Be sure the nuts that attach the threaded rods to the closure panel are tight.
- 2 Wrap a plastic wire tie around the mounting tab and the threaded rod at all four corners of the closure panel.

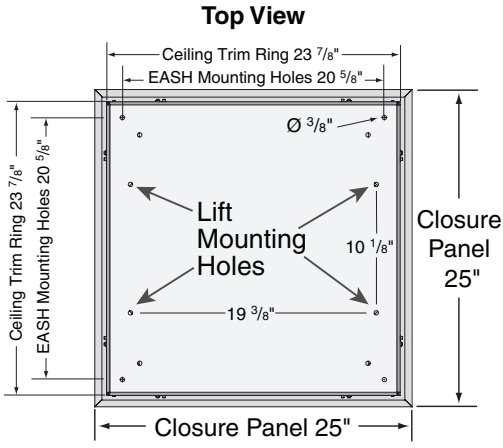
Please Note: Do NOT use a paper-covered or similar wire tie—use only plastic wire ties for maximum safety.



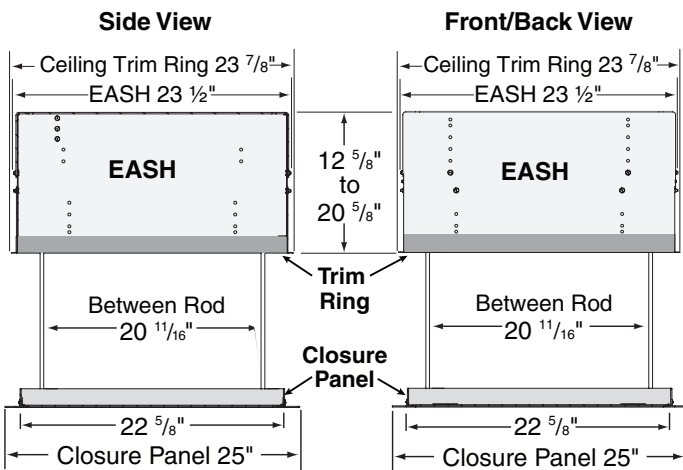
AeroLift 35 with Large Closure and Brackets

Section 10 - Dimensions

Large Environmental Air Space Housing, Lift, and Closure Dimensions



Lipless Closure Dims: 22 ¹/₈" x 22 ¹/₈"



Small Environmental Air Space Housing, Lift, and Closure Dimensions

