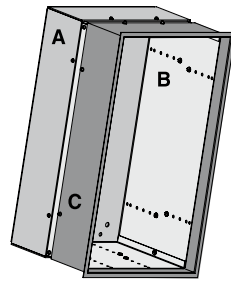


### Installing Optional Environmental Air Space Housing

The Environmental Air Space Housing is shipped pre-assembled in its shortest position. The height of the housing can be adjusted by moving the screws to different mounting holes in side panels. The incremental adjustment for the top screw and bottom screw is 1/2"; the incremental adjustment for the rest of the screws is 1". You can install the housing in a pre-assembled state or as separate components, which will require that the housing be completely disassembled prior to installation. Please note that if the Environmental Air Space Housing is to be installed in a space where there is no access from above the housing, then it is recommended that the AeroLift 35 be installed to the upper section prior to installing the housing. It is also recommended that an access panel be installed to allow future access.

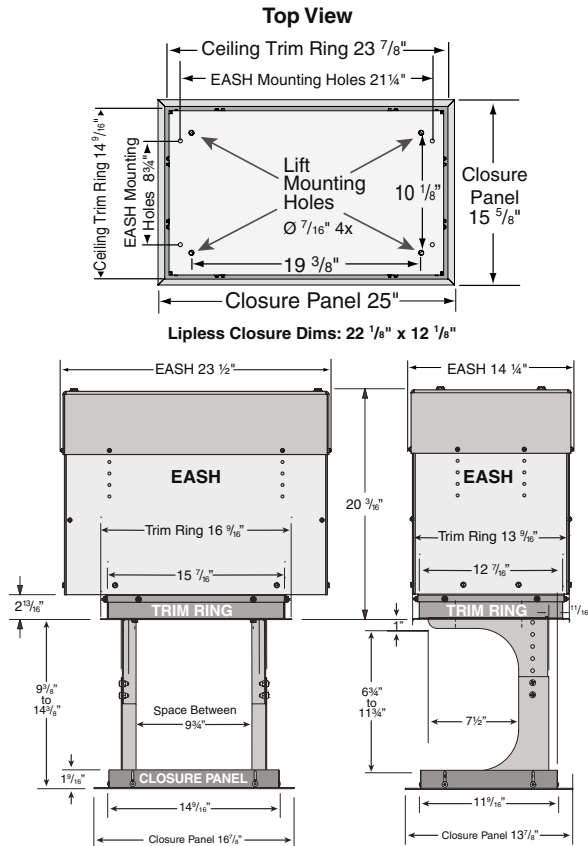
1. Install top section of housing using outer four holes located on top of upper section. If installing large housing, make sure it is oriented properly to allow correct placement of lift within housing.
2. If installing the large closure, attach brackets to bottom of projector plate.
3. Attach AeroLift 35 to upper section of housing through the inner four holes in the upper section with the 5/16" - 18 x 7/8" hex head screws, 5/16" flat washers and lock nuts provided with housing. The lock nuts should be used **above** the housing (one per screw).
4. Attach the two flat panels of the middle section across from each other with the clinch nuts to the outside of the housing.
5. Attach the two middle section panels with the formed ends across from one another.
6. Attach lower section of Environmental Air Space Housing.

### Environmental Air Space Housing (small, collapsed)

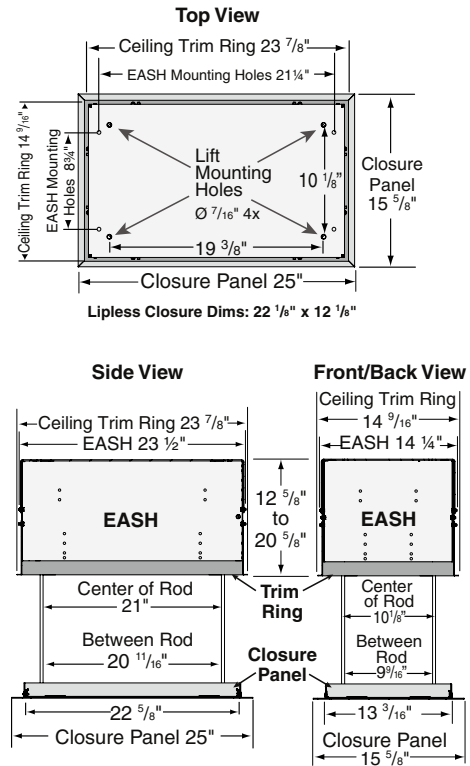


- A - Upper Section**
- B - Middle Section (Inside View)**
- C - Lower Section (Ceiling Trim Kit)**

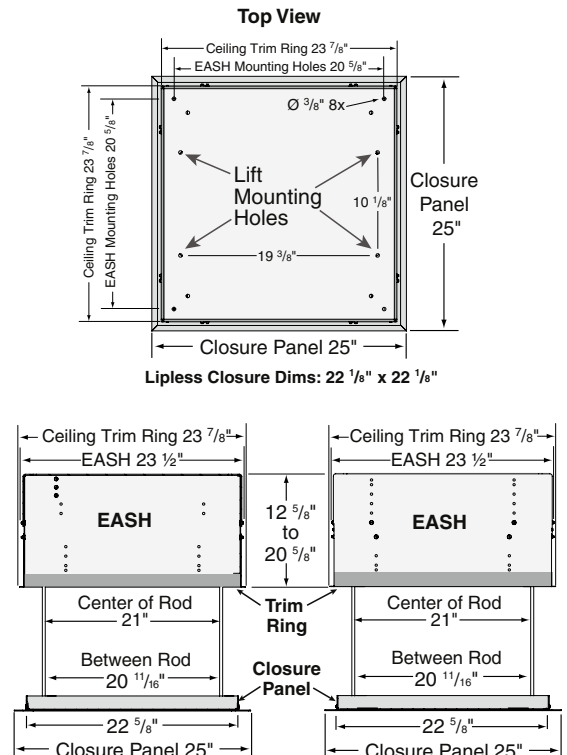
### Video Conferencing Camera Shelf (AeroLift 35 Only)



### Small Environmental Air Space Housing and Closure Dimensions



### Large Environmental Air Space Housing and Closure Dimensions



### AeroLift 35 Closure Installation

The optional ceiling closure can be used as is, or in conjunction with, a square of existing ceiling tile.

- 1 If installing with ceiling tile, you may need to cut tile so that its overall dimensions are the same as (or slightly less than) the closure panel. Place tile into trim frame. Lay closure panel on top (back side) of ceiling tile, and tighten screws to hold in place.

**Lipless Closure Option** is available by removing the Trim Ring from the Closure Panel.

A substrate material (ceiling tile, gypsum board, etc.) can be attached directly to the Closure Panel using adhesive, double-sided tape or screws. **NOTE: Make sure the added weight of the substrate does not exceed the stated weight capacity of the lift.**

Substrate should be installed so that it is centered within the finished opening in the ceiling, with a gap of no less than 3/16" around all edges.

Lipless Closure dimensions shown with \* in drawing on page 1.

- 2 Attach provided angle brackets to side of Bottom Panel of AeroLift.
- 3 Attach threaded rods to angle bracket.
- 4 Run unit "up" until bottom pan stops at highest position. Mark position on 5/16" rods even with ceiling level and cut to length (remove from pan if convenient).
- 5 Run unit "down" until bottom pan stops at "show" position.
- 6 Attach closure to lower end of rods by slipping into four corner slots. Secure with nuts above and below slots.

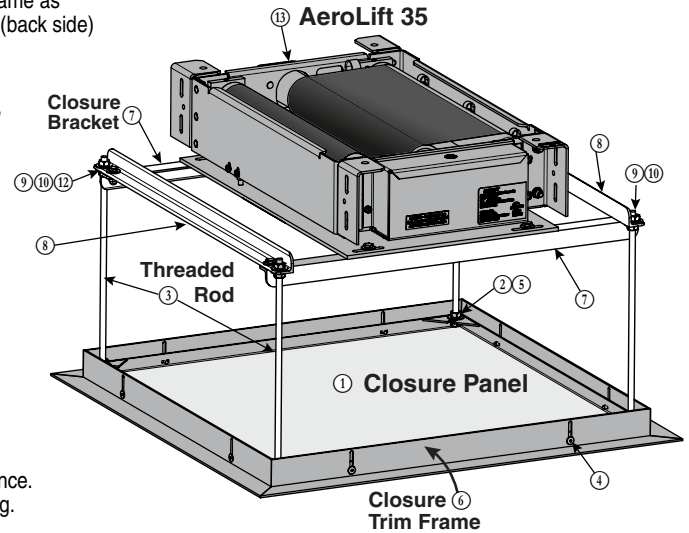
**Caution: Make sure nuts are completely tightened.**

- 7 Run unit "up" again to highest position. Measure distance by which panel fails to reach required "closed" height for surrounding ceiling.
- 8 Run unit "down" then re-adjust mounting of rods in traveling grid to raise panel required distance.
- 9 Test unit operation to confirm that panel will stop in closed position just before touching ceiling.

**Caution: DO NOT hang from, "ride" or pull down on the unit.**

*This could create a failure and cause damage and/or injury.*

**PLEASE NOTE: Immediately upon completion of the surrounding ceiling, unit should be operated to confirm that optional ceiling closure panel by Draper or by others stops 1/8" short of touching ceiling in closed position. If closure panel touches, the motor may continue operating after the lift is closed. If it continues to cycle once the lift is closed, a motor failure may occur.**

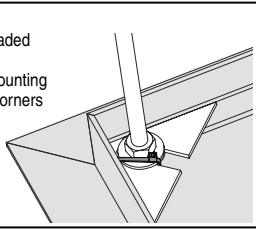


Item	Qty	Part Number	Description
①	1	044.225.08SA	Panel AL35 / MPL Closure
②	16	C018.028	Nut 5/16"-18 Zinc Hex
③	4	C077.052	Rod, Threaded 5/16" - 18 x 16" L Zinc
④	8	C020.082	Screw, #10-16 X x 1/2" L. 6 Lobe Torx Hd White
⑤	16	C013.050	Washer .375 I.D. x .875" O.D. x .064"TK GRD Zinc Flat
⑥	1	C028.183.08SA	Frame, Closure Trim
⑦	2	C002.1226.01SA	Bracket, AL35 Side Closure
⑧	2	C002.1227.01SA	Bracket, AL35 Front/Back Closure
⑨	16	C013.033	Washer, 1/4" Wide 5/16" ID x 47/64" OD x 1/16" Thk Zinc Flat
⑩	8	C018.014	Nut, .250-20 Nylon Inserted Hex Zinc Locking
⑪	4	C020.130	Screw 1/4" - 20 x 1" Hex Hd GR 2 Zinc Cap
⑫	4	C020.153	Screw 1/4" - 20 x 3/4" Grade 2 Zinc HexHd Cap
⑬	1	300319 - 300320	AeroLift 35 UL

**For Additional Safety:**

- 1 Be sure the nuts that attach the threaded rods to the closure panel are tight.
- 2 Wrap a plastic wire tie around the mounting tab and the threaded rod at all four corners of the closure panel (Fig 9).

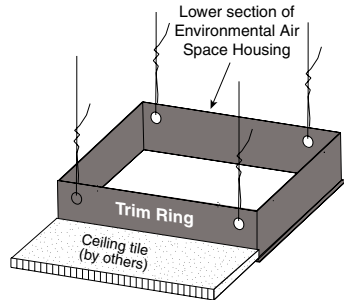
Please Note: Do NOT use a paper-covered or similar wire tie—use only plastic wire ties for maximum safety.



### Installing Optional Ceiling Trim Kit

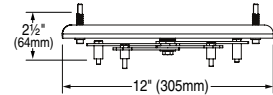
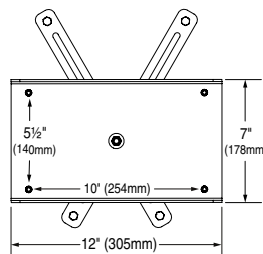
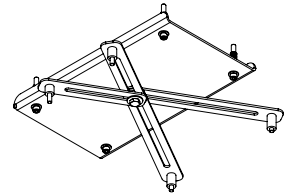
The AeroLift 35 is available with a ceiling trim kit, which consists of the lower section of the Environmental Air Space housing and optional closure panel.

- 1 Install AeroLift 35 as previously described in these instructions.
- 2 Install bottom section of housing in opening. This can be accomplished by suspending with wire, or by mounting directly to the ceiling joists (if space permits).
- 3 Install projector and attach optional ceiling closure to AeroLift 35.

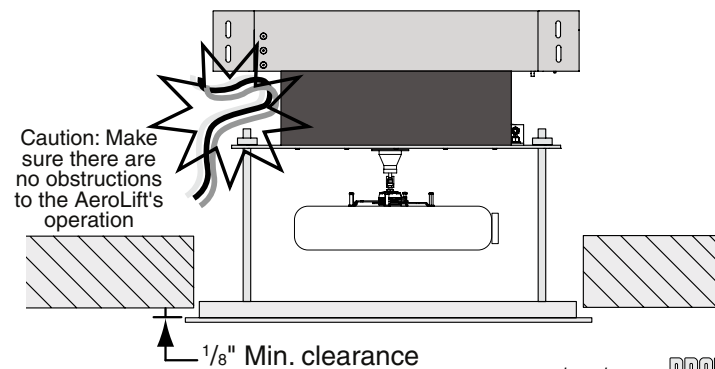


### Installing Projector Using Universal Projector Mount

Draper's optional Universal Projector Mount will hold up to 26 lbs. See Installation Instructions included with Universal Projector Mount.



### AeroLift Clearance



### Video Conferencing Camera Closure (AeroLift 35 Only)

See Installation Instructions included with Video Conferencing Camera Closure.

