

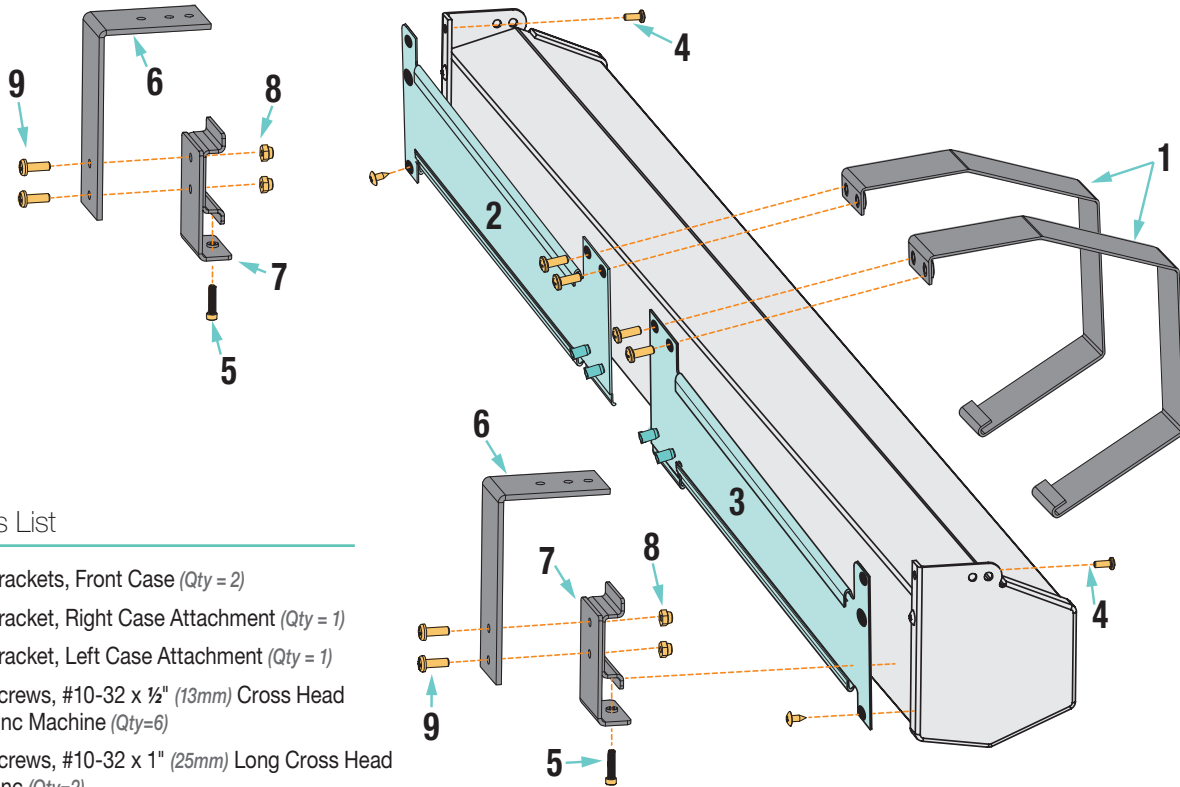
Floating Mounting Brackets

For Targa, Premier, Premier C, Luma 2, and Luma 2 with AR projection screens

INSTRUCTIONS

INSTALLATION & OPERATION

Components



Parts List

1. Brackets, Front Case (Qty = 2)
2. Bracket, Right Case Attachment (Qty = 1)
3. Bracket, Left Case Attachment (Qty = 1)
4. Screws, #10-32 x 1/2" (13mm) Cross Head Zinc Machine (Qty=6)
5. Screws, #10-32 x 1" (25mm) Long Cross Head Zinc (Qty=2)
6. Brackets, Ceiling Mounting (Qty = 2)
7. Brackets, Sliding Wall (Qty = 2)
8. Nuts, .250-20 Nylon Inserted Hex Zinc Locking (Qty = 4)
9. Screws, .250-20 x 3/4" (19mm) Cross Head Machine (Qty=4)

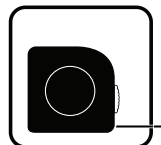
TOOLS REQUIRED



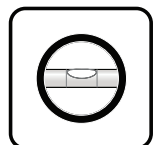
PENCIL



POWER DRILL



TAPE MEASURE

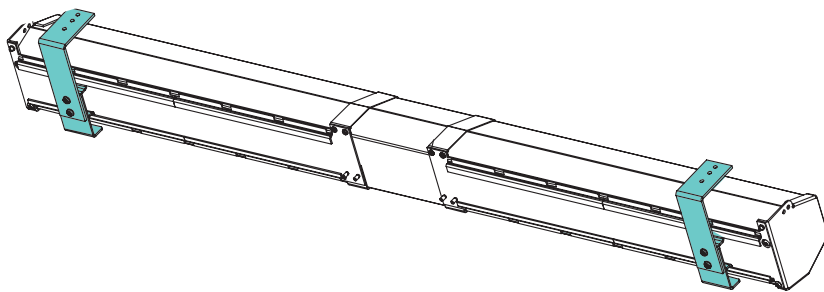


LEVEL



HARDWARE (by others)

Completed Assembly Drawing



CAUTION

Read and understand all warnings (Page 2 of this document) **before beginning installation.**

If you have any difficulties installing or servicing your Premier projection screen, call your dealer or Draper, Inc.

PLEASE READ - **Safety Information**

Important Safety Information



Important Safety Information

Improper installation and use of the Floating Mounting Bracket can result in serious injury or death. Primarily, injuries can occur if unit falls due to imprecise installation, mishandling of unit during installation, or installation on an insufficient wall or ceiling structure. Please use extreme care.

1. Please read the following installation guidelines thoroughly and follow them carefully. Failure to do so may cause product to fall or otherwise fail, and could result in serious injury.
2. Installation and calibration of the unit should only be performed by an authorized, qualified, and experienced professional. In particular, electrical work and wiring [indicated in diagram by dashed lines] must be completed only by a qualified professional electrician who has read this manual completely and is familiar with the construction and operation of this equipment and the hazards involved.
3. Do not affix the unit to walls or ceilings that have inadequate strength to permanently hold the unit during use. It is the owner's and installer's responsibility to confirm the wall or ceiling to which the unit attaches is sufficient to permanently hold the weight and stress loads of the unit at all times. Draper®, Inc., is not responsible for improper installation, application, testing, or workmanship related to the product at place of installation.
4. It is the installer's responsibility to make sure appropriate fasteners are used for mounting.
5. All hardware must be installed level. Unit must be level and square.
6. Never leave the area while operating the unit during installation, maintenance, or normal operation, unless it is secure and safe.
7. Before testing or operation, carefully inspect the entire area and path (*especially underneath*) of unit to be sure no persons or objects are in the area.
8. Turn off power and any nearby equipment or cables carrying electricity before connecting switches, wires, controls, or electrical components.
9. Do not wire motors in parallel without written permission from Draper, Inc.
10. During testing or operation, carefully watch the surrounding area for any potential safety concerns including nearby persons or objects.
11. After installation, the entire system, including all sensors, should be carefully tested to ensure safe and normal operation. Extreme care should be taken during testing to remain clear of moving parts to avoid possible injury.
12. Operation of unit should be performed only by authorized and qualified personnel, who have been trained in its safe and effective operation and understand its safety features.
13. The safety features of the unit should never be disabled, bypassed, or overridden. The system should not be operated until all safety features are properly and completely installed, calibrated, and tested.
14. Unit may need to comply with local, state, or district rules and regulations, in particular when installed in schools. All applicable rules and regulations should be reviewed before installation and use.
15. Failure to precisely follow installation guidelines invalidates all warranties.
16. Custom products/installations may not be reflected in this manual. Call Draper, Inc., if you have questions about the installation of custom products or any questions about your installation.

Before Beginning Installation

1. Look for any job site conditions that could interfere with installation or operation of the system.
2. Read carefully and be sure to understand all installation instructions and all related operations manuals. These instructions are intended to serve as a guide for the installer and owner. They should be followed closely and combined with the expertise of experienced qualified installers. Draper, Inc., is not responsible for improper installation, application, testing, or workmanship related to the product at place of installation. Please retain all instructions for future use.
3. Open cartons lengthwise.
4. Locate and lay out all pieces.
5. Inspect all boxes to make sure you have received the proper unit and parts. Controls may be shipped separately, or in same carton as unit.
6. If you have any difficulties with installing, servicing, or operating your unit, call your dealer or Draper, Inc., (765) 987-7999.

Figure 1

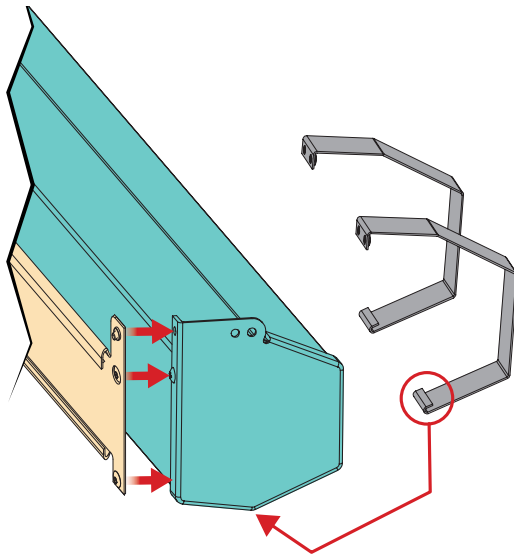
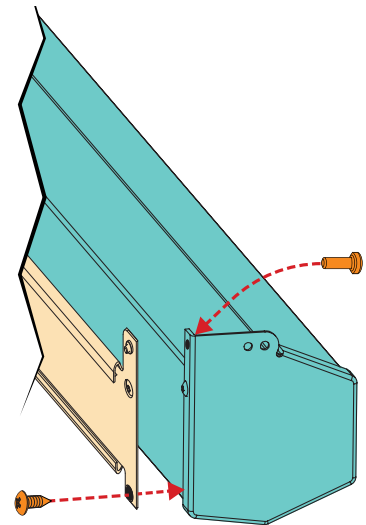


Figure 2



Wall Mounting

1. Mount two Sliding Wall Brackets to the mounting surface. Brackets should be placed on studs. Installer must ensure that fasteners used are of adequate strength and suitable for the mounting surface chosen.

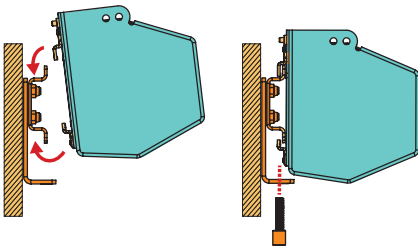
Please Note: Sliding Wall Brackets can be mounted so they can be located at any point along the Case Attachment Brackets (within 24" (61cm) of each end of case). They must be mounted level, and with bottom edges in alignment.

2. Place front brackets on screen case, making sure the lower curled edge engages the screen case (Fig. 1).
3. To protect the screen from damage, place the screen case on clean, steady surface with the bottom of the screen case facing down.
4. Remove the bottom screw from each endcap (Fig. 2).
5. Lift one end of screen case to attach Case Attachment Brackets to screen case by re-using endcap screws. Also use provided 10-32 x 1/2" (13mm) Cross Head Zinc Machine Screws, attaching through the wall mounting holes on the endcaps (Fig. 2).

Please Note: Make sure to hook bottom of Case Attachment Bracket under the bottom of the screen case (Fig. 1).

6. Attach Case Attachment Brackets to front brackets using 10-32 x 1/2" (13mm) Cross Head Zinc Machine Screws (provided).

Figure 3



7. Mount screen case to wall brackets by slightly angling the upper slots on the Case attachment Brackets into the upper channel on the Sliding Wall Brackets, then rotating screen case into place (Fig. 3).
8. Once the screen is placed in the desired position, secure screen case to Sliding Wall Brackets using #10-32 x 1" (25mm) Cross Head Screws (provided) (Fig. 3).

Ceiling Mounting

1. Attach two Sliding Wall Brackets to Ceiling Brackets using .250-20 x 3/4" (19mm) Cross Head Machine Screws and .250-20 Nylon Inserted Hex Zinc Locking Nut (provided).
2. Mount two Ceiling Brackets to the mounting surface. Brackets should be located at joists. Installer must ensure that fasteners used are of adequate strength and suitable for the mounting surface chosen.

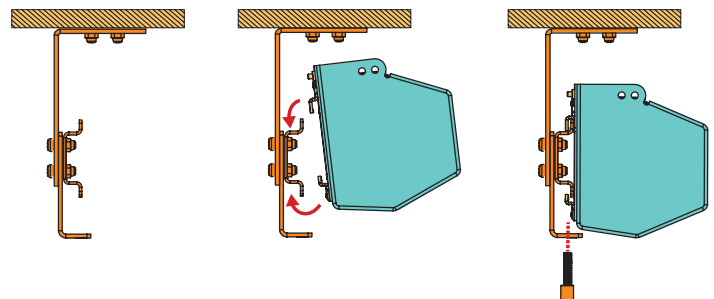
Please Note: Sliding Brackets can be mounted so they can be located at any point along the Case Attachment Brackets (within 24" (61cm) of each end of case). They must be mounted level, and with bottom edges in alignment.

3. Place front brackets on screen case, making sure the lower curled edge engages the screen case (Fig. 1).
4. To protect the screen from damage, place the screen case on clean, steady surface with the bottom of the screen case facing down.
5. Remove the bottom screw from each endcap (Fig. 2).
6. Lift one end of screen case to attach Case Attachment Brackets to screen case by re-using endcap screws. Also use provided 10-32 x 1/2" (13mm) Cross Head Zinc Machine Screws, attaching through the wall mounting holes on the endcaps (Fig. 2).

Please Note: Make sure to hook bottom of Case Attachment Bracket under the bottom of the screen case (Fig. 1).

7. Attach Case Attachment Brackets to front brackets using 10-32 x 1/2" (13mm) Cross Head Zinc Machine Screws (provided).

Figure 4



8. Mount screen case to wall brackets by slightly angling the upper slots on the Case Attachment Brackets into the upper channel on the Sliding Wall Brackets, then rotating screen case into place (Fig. 4).
9. Once the screen is placed in the desired position, secure screen case to Sliding Wall Brackets using #10-32 x 1" (25mm) Cross Head Screws (provided) (Fig. 4).

Dimensions

