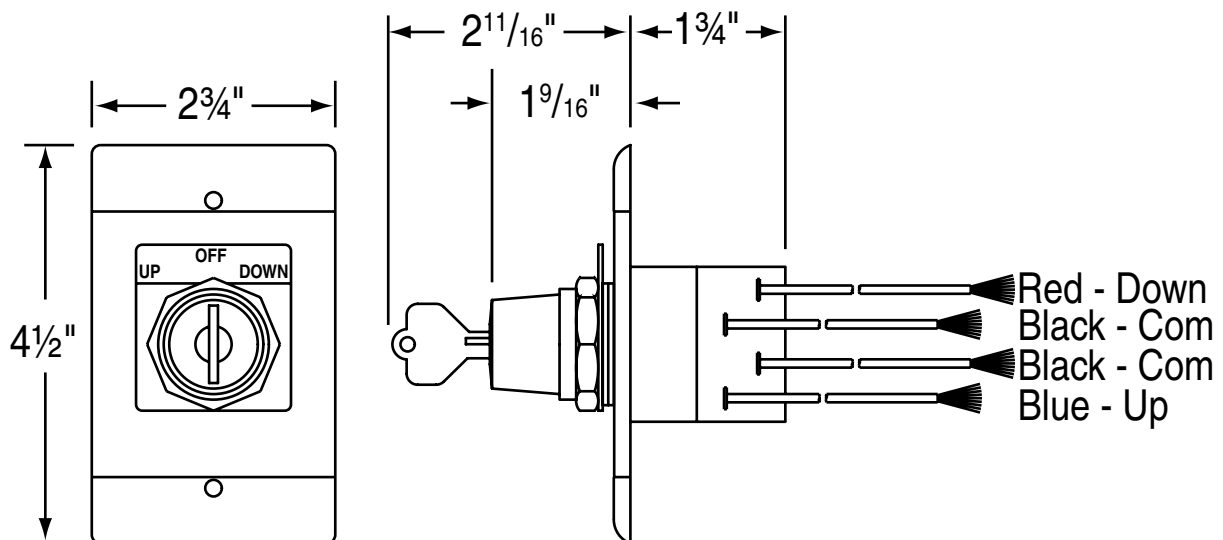


Technical Data Sheet

SP-KSM—3-Position Key Switch (Momentary) By Draper

- USES:** The SP-KSM replaces the standard 3-position key switch (KS-3) where a momentary (spring-loaded) action is required. It combines the directional functions (Up and Down) with the security of a key switch. It can be used as a single- or multiple-station control.
- COMPATIBILITY*:** SP-KSM can be used in multiples, for either high- or low-voltage systems. LVC-IV (low voltage module) can be triggered by SP-KSM (stop doesn't work). LVC-S (low voltage switch) can be used in conjunction with SP-KSM. ILT Motor with Built-in Low Voltage Controller (stop doesn't work). KS-1 Power Supply Key Switch.
- CONTACTS:** Two cam-operated Single-Pole, Single-Throw contact blocks (On-Off), wired to emulate Single-Pole, Double-Throw, Center Off (On-Off-On). Momentary action.
- RATING:** 600 Volts, UL recognized, CSA recognized.
- DESCRIPTION:** 3-position key operator, momentary action. Cover plate is stainless steel. Four 6" wire leads: black, black, red and blue (2 commons, down and up). 2 $\frac{3}{4}$ " x 4 $\frac{1}{2}$ " cover plate fits a single-gang box.
- PART NUMBER:** 121022.
- ILLUSTRATION:**



DRAPER

411 S. Pearl St., Spiceland, IN 47385 USA ■ 765-987-7999
www.draperinc.com ■ fax 765-987-7142

