

EasyKit®

WDEx10EEX

Weatherized Delayed Egress Without Electromagnetic Lock

The WDE EasyKits provide a secure outdoor system with 15-second delay and 100dB alarm when someone attempts to exit. The WDE EasyKit is perfect for garden center gates, amusement parks, sports arenas and any location exposed to weather or moisture where delayed exit is required. Although ideal in helping prevent theft, in applications such as outdoor childcare and assisted living homes, WDE EasyKit can also be used to help protect those trying to exit.



Shown with 10 Series Rim Exit Device - Available with 10/40 Rim (For Mortise and Vertical Rod Applications contact factory)

Benefits

- Immersion-proof switching and corrosion resistant components provide years of trouble-free service
- All hardware items provided with one easy-to-order, easy-to-specify part number
- Best-in-class components provide for fast, easy installation
- Advantex weatherized panic device includes internal blocker and switches to provide easy installation without a magnetic lock
- Controls foot traffic, deters unauthorized exits, reduces employee and customer theft while providing a life safety, code compliant application

Features

- Configured Weatherized Delayed Egress EasyKit includes all hardware, instructions, riser illustration and point-to-point wiring diagram
- Factory-programmed, pre-wired, delayed egress controller/power supply
- NEMA 4X enclosure protects controller/power supply from moisture and corrosive elements
- Advantex Weatherized panic device has stainless steel dead-locking Pullman-type latch bolt
- 10 ft. flex conduit loop
- Form C, momentary key switch with green and red LEDs, arms, disarms and resets system
- Outdoor protective key switch cover
- Outdoor horn has various field-adjustable tone and decibel settings. Strobe also available.
- Available in various configurations, for single and paired openings
- Outdoor, code-compliant delayed egress signage
- All hardware is non-handed
- Fire Alarm override connected at controller/power supply
- Remote bypass and signaling options available
- Heavy-duty angled end cap deflects damage away from panic device
- System does not require magnetic lock, panic provides delayed exit

Mechanical Options

- F - 3-Hour Fire Rated
- H - Hurricane Rated
- CD - Cylinder Dogging
- HD - Hex Dogging
- LD - Less Dogging (Std.)
- 36 - Fits 36" Door Width (Std.)
- 48 - Fits 48" Door Width
- 99 - Surface Strike (Std.)
- 98 - Semi Mortise Strike

Electrical Options

- 1 to 3 second code-compliant field-adjustable nuisance alarm
- 120V AC (Std.)
- Also available 277V and 240V logic controller/power supply

Where Trust is Built™
DETEX®
Life Safety, Security and Security Assurance

Accessories

- SN1 – Sex Nut Fasteners
- SSK - Torx Security Screw Kit
- GB - Glass Bead Kits

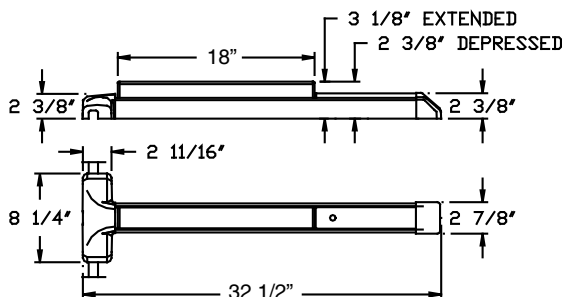
Technical Information

- Door Types - Hollow Metal, Fiberglass or Aluminum
- Gate Types - Gate plate must be at least 32" wide
- Stile - Advantex fits minimum 4-5/8" with 99 strike
- 1/4" maximum for vertical gap between gate and strike post
- Gate plate must accommodate panic device, see dimensions

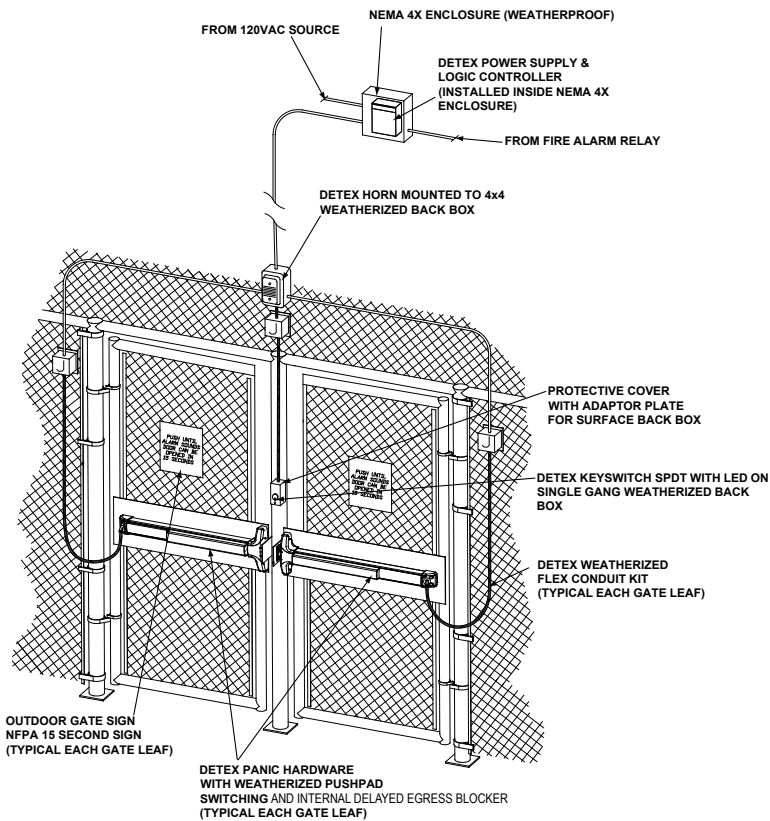
Finishes

605 / US3	Polished Brass	612 / US10	Brushed Bronze	629 / US32	Polished Stainless Steel
606 / US4	Brushed Brass	613 / US10B	Oil Rubbed Bronze	630 / US32D	Brushed Stainless Steel
611 / US9	Polished Bronze				

Dimensions



Riser Diagram



Listings and Approvals Advantex

- UL Listed Panic Hardware
- UL Listed Fire Exit Hardware for 3 hours, maximum 4'x10' single doors and pairs of 4'x8' with F90KR key removable Mullion
- Meets ADA requirements
- MIL-STD 810F, Method 506.4 (Driving Rain Test)
- MIL-STD 810F, Method 509.4 (Salt fog Test)
- UBC 97, Standard 7-2 and UL10C for positive pressure
- ANSI/BHMA certified
- Meets NFPA 80 & 101 for Life Safety
- Miami-Dade County, Florida } 10/40 Series
NOA 10-0303.02 EXP: 04/07/15 } Only
State of Florida Approval FL9052
- California State Fire Marshall - 4140-0127:105 & 3725-0127:108

Detex Limited Warranty

Advantex - 10 Year Mechanical / 3 Year Electrical Manufacturers Limited Warranty



Detex Corporation
 302 Detex Drive
 New Braunfels, Texas 78130-3045 USA
 PH. (830) 629-2900
 (800) 729-3839
 FAX (800) 653-3839
 http://www.detex.com
 USA Sales:
 marketing@detex.com
 International Sales:
 export@detex.com

Cancer & Reproductive Harm - www.detex.com/prop65