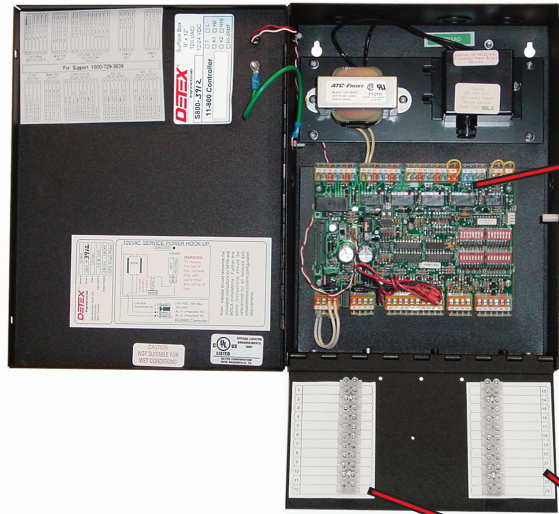
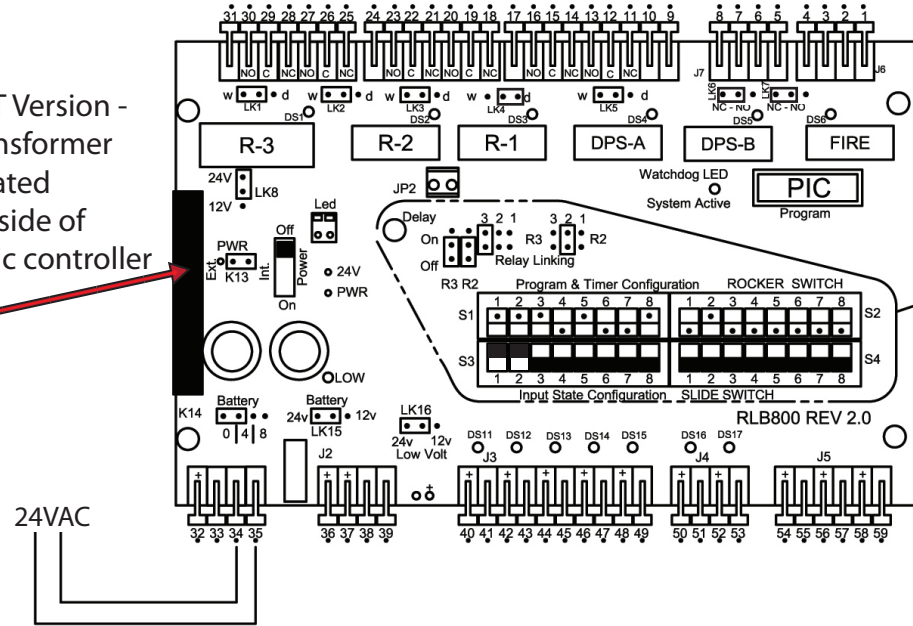


# DETEX WIRING DIAGRAM

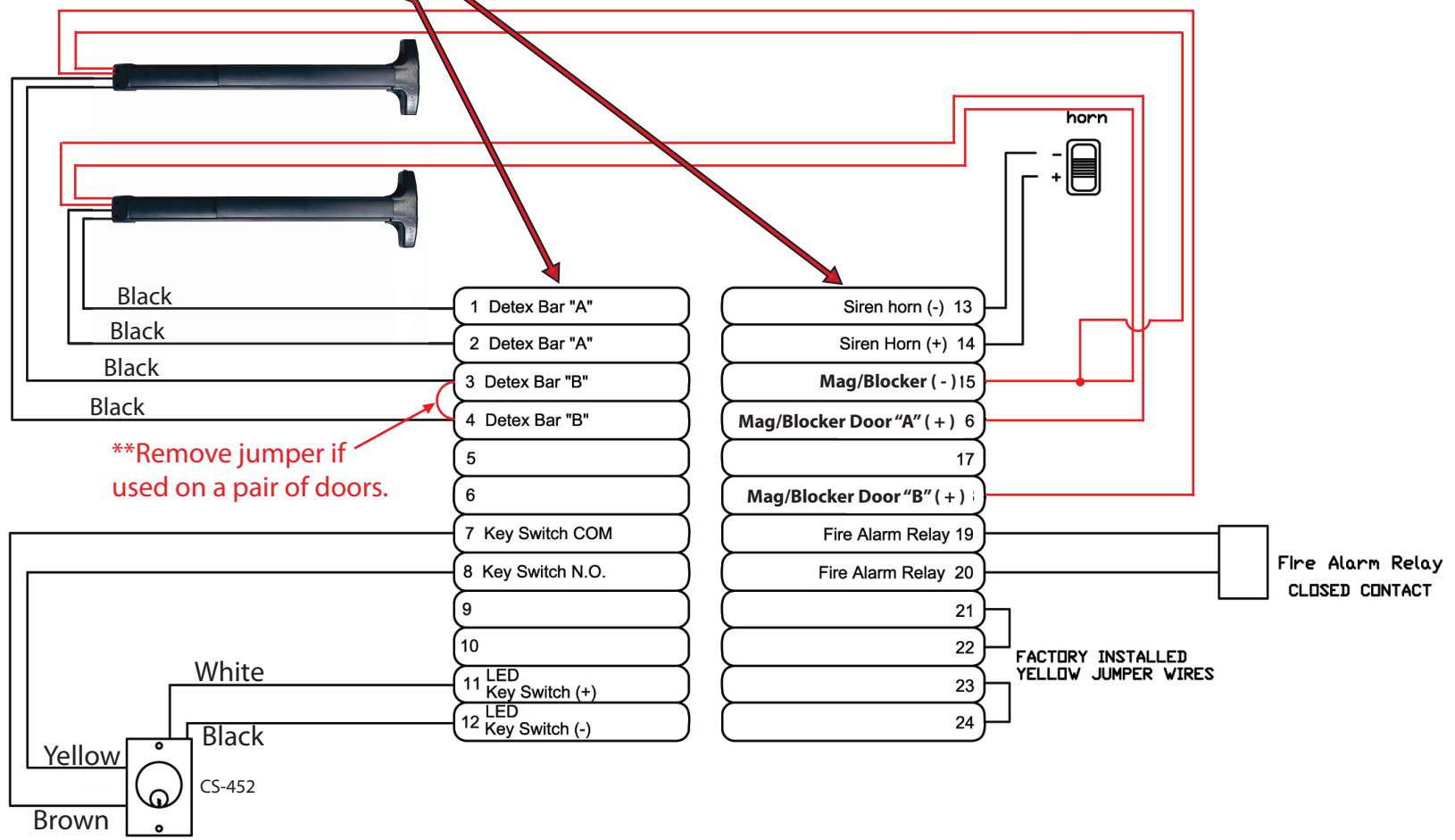
WDE Weatherized Delayed Egress Logic Controller/Power Supply



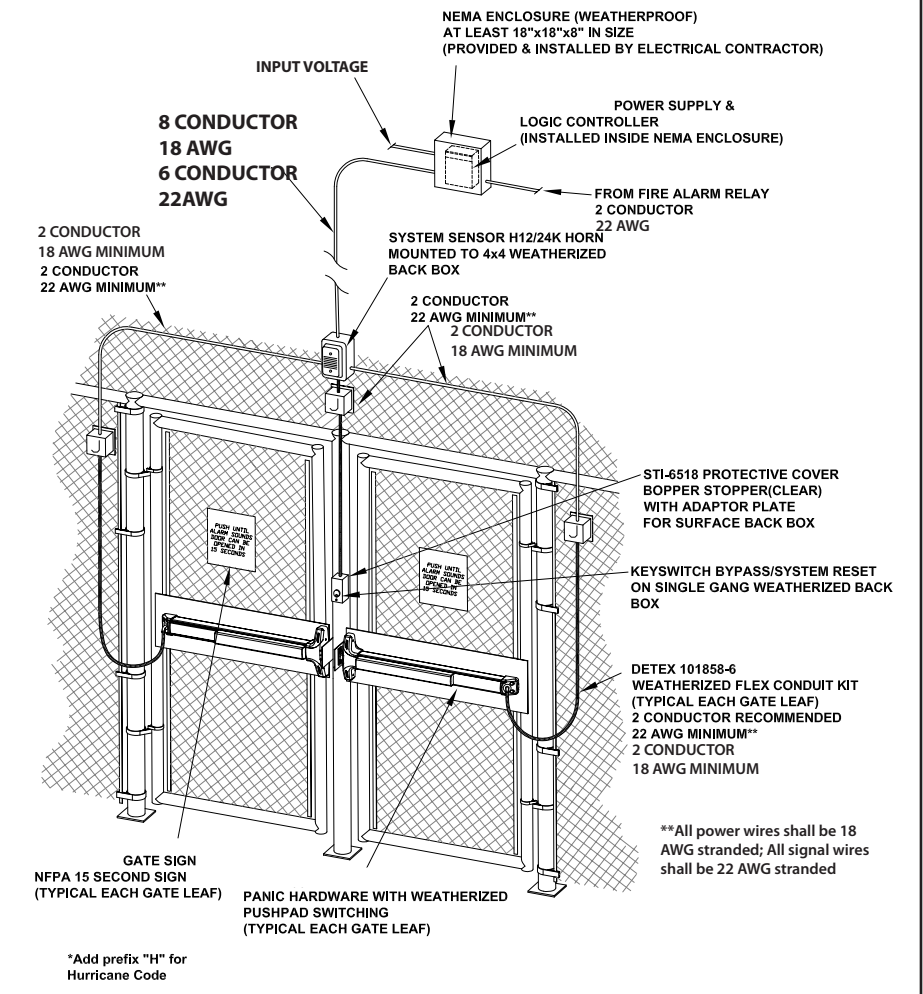
\*\*LT Version - Transformer located outside of logic controller



Note: Factory programmed to NFPA Standards Contact Detex Corporation for other building codes



\*\*Remove jumper if used on a pair of doors.



## Theory of Operation

Rotating the authorized key in the momentary key switch mounted adjacent to gate will bypass the delayed egress system, allowing exit. A Green LED will illuminate indicating disarmed status.

Pressing the pushpad on the exit device for more than 3 seconds puts the system into alarm mode and begins an irrevocable 15-second delay, keeping the gate locked for 15 seconds before the blocker(s) release(s) allowing egress through gate. Shunting the alarm and rearming the delayed egress system requires use of authorized key switch located adjacent to gate.

When activated, the fire alarm system will send a signal to deactivate the delayed egress system, allowing immediate egress. The local alarm will sound until reset.

Where Trust is Built™



Project Name	Wiring Diagram for 12-800-DE5
Dwg No.	105756
Date:	4/23/2013