

# VALUE SERIES®

## Electric Request to Exit Weatherized Switching Weatherized Switching (EX W)

### High Current / Voltage Weatherized Switching (EXV W)

The Weatherized Request to Exit (EX W) option, designed for outdoor gates and other wet environments, provides the customer with a means of signaling when the pushpad is depressed. This will open or close switch contacts (SPDT) and signal an alarm, remote strobe light or commence the cycle in a separate delayed egress system.

Available with V40 Rim  
and V50/V51 Surface  
Vertical Rod Exit  
Devices



V40 EX W Shown



Wide Stile shown, for Narrow Stile, specify NS Option  
(for use on 36" and 48" doors with 2" stiles).

#### Benefits

- Priced to be the best value for panic exit hardware
- Provides reliable loss prevention protection 24-hours a day
- Rugged, weatherized and corrosion resistant for years of reliable service
- Angled end cap deflects damage away from device
- Integrates with other loss prevention equipment
- Large, steel reinforced pushpad with black ABS cover resists damage
- Fast and easy installation saves time and money
- Patented mounting plate and strike locator replaces paper templates
- Withstands over 1400 pounds of static pull force for greater security
- Fits almost any door in any décor
- Patented back plate and plastic strike locator designed for perfect alignment with door and frame without paper template

#### Features

- Stainless steel, 3/4" throw deadlocking latch bolt
- Tamper resistant switching electronically monitors pushpad
- Covers a 161 door prep
- Weatherized switch for signalling at low currents to a central control station
- Standard SPDT (Form C) switch with three wires, Yellow (N/O), Brown (Common) & Green (N/C), creating either a Normally Open or Closed contact
- Withstands environmental elements when installed on gates or exterior doors
- Fits 2" narrow stile doors with optional narrow stile door kit
- To shunt power to an electromagnetic lock, specify EXV W
- FC3W - Weatherized 3' Flex Conduit Kit, mounts to device end cap

#### Mechanical Options

- CD - Cylinder Dogging
- HD - Hex Dogging (Std.)
- LD - Less Dogging
- F - 3-Hour Fire Rated
- H - Hurricane Rated
- 36 - Fits 36" Door Width (Std.)
- 48 - Fits 48" Door Width
- 99 - Surface Strike (Std.)
- 98 - Semi Mortise Strike
- 95 - Double Door Strike
- Available with 628 Base Rail Extrusion (Std.)
- Available with 711 (Black) Base Rail Extrusion
- RWE - Red pushpad with white lettering
- LF - Less Flex Conduit
- FC10W - Weatherized 10' Flex Conduit Kit, mounts to device end cap

For full list of available mechanical options, see How To Order page

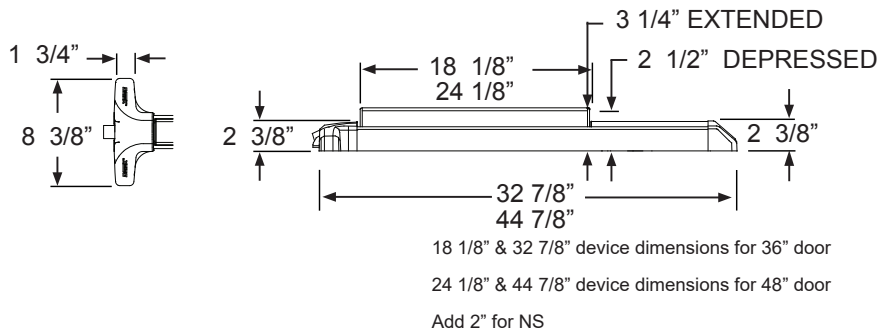
## Accessories

- SN1 - Sex Nut Fasteners
- KS - Key Stop - key removed only when armed
- NSK - Narrow Stile Conversion Kit - Converts V40 to fit narrow stile glass door applications
- SSK3 - Security Screw Kit
- GTPLKIT - Adjustable Gate Plate
- Outside Trim (see Value Series Trim Options)

## Technical Information

- Door Types - Wood, Hollow Metal, Fiberglass or Aluminum
- Door Thickness - Fits standard 1-3/4" - 2-1/4"
- Door Stile - Fits 2" narrow stile doors with 98 semi-mortise strike - Specify V40xNS
- Door Stile - Fits standard door with 99 surface strike (Std.)
- Machine and Self Drilling Screws (Std.)
- Optional Sex Nuts or Security Torx Screws available

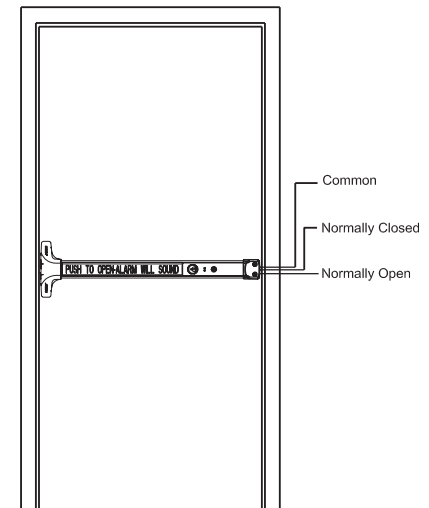
## Dimensions



## Listings and Approvals

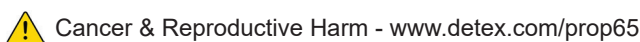
See individual device (i.e. V40 Series) catalog page for fire and panic listings and windstorm ratings/approvals

## Riser Diagram



## Detex Limited Warranty

10 Year Mechanical/3 Year Electrical  
Limited Manufacturer's Warranty



Where Trust is Built™  
**DETEX**®  
Life Safety, Security and Security Assurance

Detex Corporation  
302 Detex Drive  
New Braunfels, Texas 78130-3045 USA  
PH. (830) 629-2900  
(800) 729-3839  
FAX (800) 653-3839  
<http://www.detex.com>  
USA Sales:  
[marketing@detex.com](mailto:marketing@detex.com)  
International Sales:  
[export@detex.com](mailto:export@detex.com)