



Detex Corporation, 302 Detex Drive, New Braunfels, Texas 78130-3045
 830-629-2900 / 800-729-3839 / Fax 800-653-3839 / Text photos only: 830-481-6433 / INTERNET: www.detex.com

INSTALLATION INSTRUCTIONS FOR THE EAX-2500 EXIT ALARM



Dwg #: 102700

	Page
Table of Contents	
Parts breakdown view & part numbers.....	2
Hardware list, Wiring schematic.....	3
Device installation.....	4
Device installation continued.....	5
Device operations & wiring.....	6

Should you have any Question/Problem with your Detex device please call Detex Technical Support from the job site at 1-800-729-3839 and choose option 2 on our menu. Please do not return the product to the distributor.

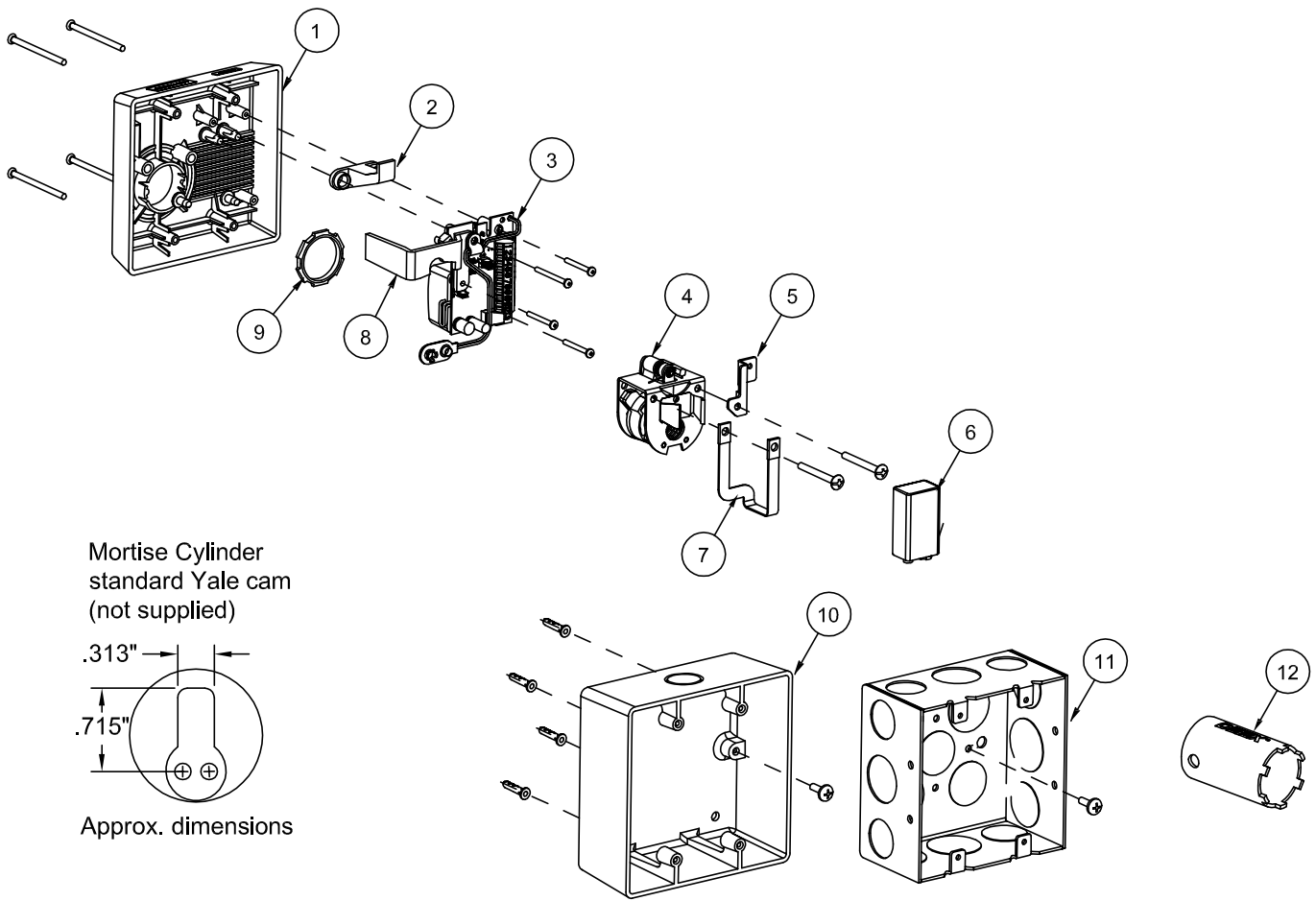
For **WARRANTY** information,
 scan code below or
 go to www.detex.com/warranty



For device installation videos,
 scan code below or
 go to www.detex.com/videos


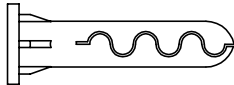

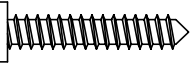


Owner's Copy



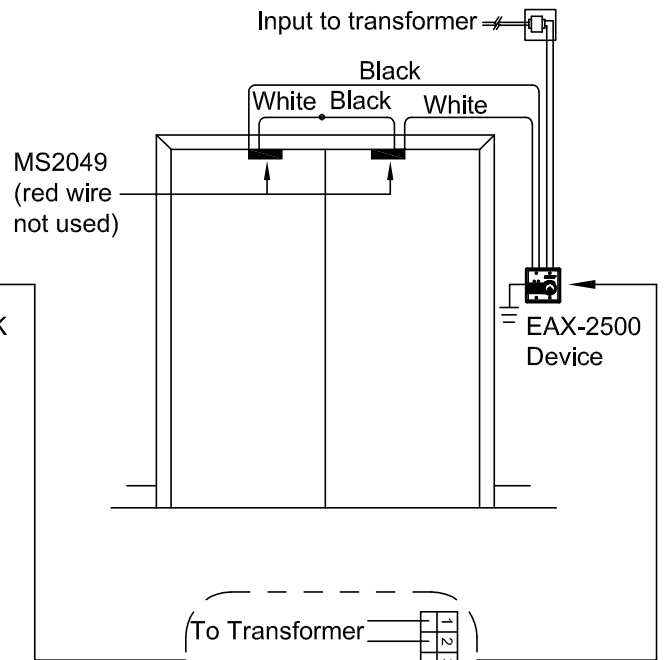
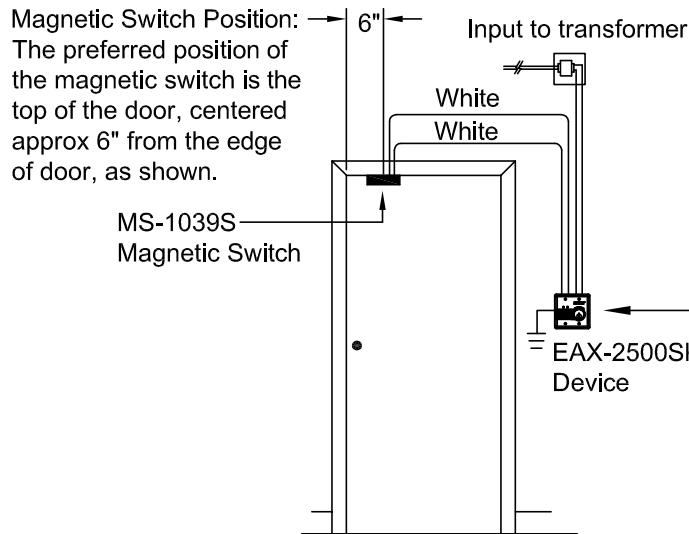
PARTS BREAKDOWN		
Item	Order Part #	Description
1	105430-1	Cover, gray
	105430-2	Cover, black
2	102619	Plunger, security
3	102661	Circuit board kit
4	102660	Cam assembly kit
5	102701	Tamper bracket
6	PP-5567	9 Volt battery
7	104448	Ground strap
8	102631	Guard, IKC switch
9	100783	Cylinder nut
10	102649-1	Backbox, gray
	102649-2	Backbox, black
11	102629	Box, outlet, double gang
12	103779	Cylinder nut socket (optional)

Your particular part or configuration may not be shown:
Contact Detex technical support at 800-729-3839 (option 2)

HARDWARE LIST	
	P/N: 102866-17 6-32 x 2-1/8" PFH
	P/N: 102642-3 1/4" x 1-3/16" ANCHOR
	P/N: 103276-41 #10 x 1" PPH SELF DRILLING
	P/N: PP-5183-68 #10 x 1" PPH
#4 x 3/8 inch Phillips Flat Head screw" data-bbox="238 232 278 258"/>	P/N: 101976-1 #4 x 3/8" PFH

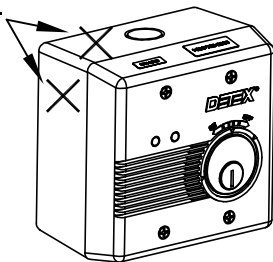
SI=Status Indicator
L9=Less 9V Battery

Transformer necessary but not included in all kits.
Order separately as required.
Detex p/n: 12 VAC: **PP-5152-3**
24 VAC: **PP-5152-2**

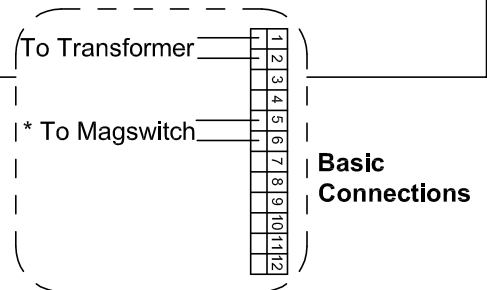


WARNING

Do not bring the conduit into the top left corner of the back box. This can interfere with the normal operation of the tamper lever function.



* Use magnetic switch contacts that are closed when door is secure. See magnetic switch documentation for more info.



STEP 1-5: PREP DEVICE

1. Supplied ground strap **MUST** be connected from back box.
2. Back box **MUST** be grounded per National Electrical Code requirements.
3. Ground strap **MUST** be as short as possible.
4. Units are shipped with ground strap installed.

1 Remove cam assembly from cover:

Unfasten (2) screws

Loosen screw and rotate bracket

Remove Cam Assembly

2 Install mortise cylinder with cylinder nut provided:

*Mortise cylinder uses Yale Cam

If 7-pin cylinder is used - **OBSERVE**

Orient cam as shown

Collar required if distance is greater than 5/16".
Optional collar can be ordered from Detex (p/n: ECL-1595)

3 KEY STOP installation, if required:
(Key stop parts included in hardware kit)
If NO keystop, skip to step 4

P/N: 101976-1
#4 x 3/8" PFH

Ground strap

Rotate key to this position before reinstalling cam assembly

Back View

KS (p/n 105770-1) used with standard Yale style cam

KS shown 105770-1

KS2 (p/n 105770-2) used with Adams Rite small style cam

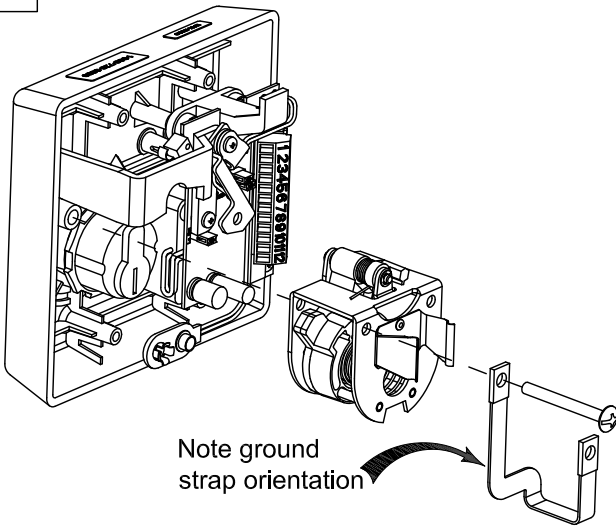
KS2 shown 105770-2

KEY STOP POSITIONS

"ON" position
(Key can be removed)

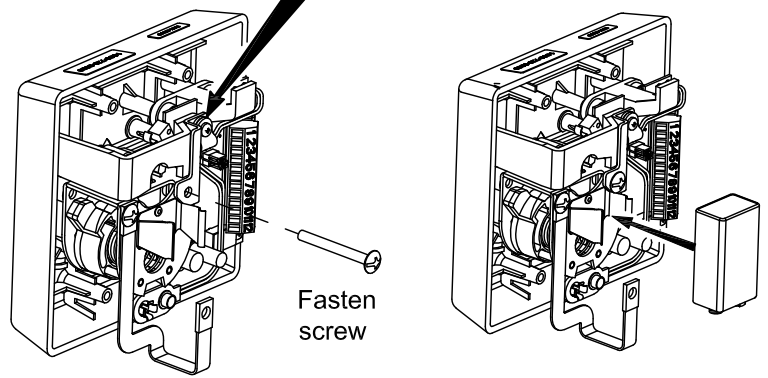
"OFF" position
(Key cannot be removed)

4 Re-install cam assembly:



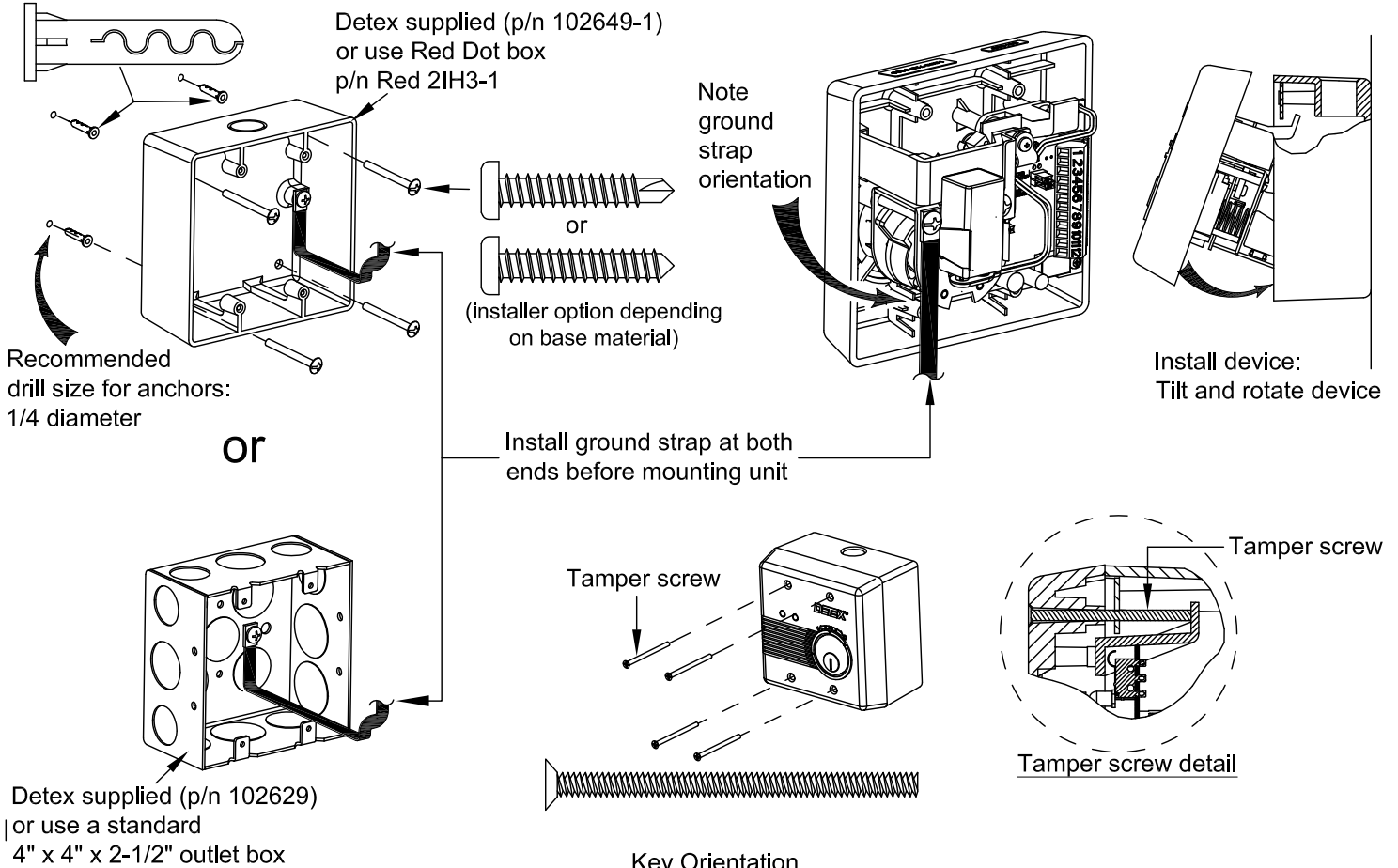
5 Install 9-volt battery:

Rotate bracket to original position & hand tighten screw

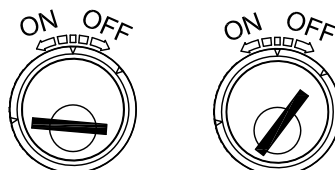


6 Install back box at desired location
(Box must be grounded):

7 Install device to back box
(Device must be grounded):



Key Orientation



"ON" position "OFF" position

(for KEY STOP option positions, see previous page)

EAX-2500 Operations and Wiring

The device has two different functions

* Default - Extended Bypass - If the unit is turned on and the door is open after the arming delay, the alarm will arm when the door closes. If the door is closed and armed, when the door is opened the alarm sounds.

Timed Bypass - If the unit is turned on and the door is left open after the arming delay, the alarm will sound. If the door is closed and armed, when the door is opened the alarm sounds.

Key Operations:

There is a slight delay when rotating the key.

The Detex exit alarm has a positive stop in both directions of the cylinder key rotation (8 o'clock to 2 o'clock).

The key removal/insertion position is 12 o'clock.

On position

Insert the key and turn the key counterclockwise(CCW) to 8 o'clock. Resistance will occur at 9 o'clock, turn key through the resistance to 8 o'clock, you may hear and feel a click. This is the on position. Turn the key back to the 12 o'clock position and remove key.

NOTE: With keystone installed the on position is 12 o'clock; when the key is removed the device is turned on.

Off position

Insert the key and turn the key clockwise(CW) to 2 o'clock. Turn the key back to the 12 o'clock position and remove key.

NOTE: With keystone installed the key cannot be removed in the off position.

Operations Arming/Disarming (Real Time Switching- power does not need to be reset)

Close the door and secure the tamper screw, turn the key CCW. The red LED will blink twice then the green LED will be on solid for the arming delay time (default 15 seconds). After arming delay time, the green LED will turn off and the unit will beep three times to indicate the unit is armed. When the door opens, the alarm will sound. Turn the key CW to turn the alarm off.

Slide Switches:

Status Indicator

*Default Status Indicator off - the LEDs will not blink to indicate armed/disarmed.

Status Indicator on - a LED will blink every 3 seconds to indicate armed/disarmed state. Red=armed Green=disarmed

Auto Rearm (AUTO REARM)

*Default Auto Rearm off - the unit will be in extended bypass and the unit requires a key to reset the alarm condition.

Auto Rearm on - the unit will be in timed bypass and when in alarm, the unit will rearm in 2 minutes after the door is secured.

Disable Low Battery (Dis Lo Bat)

*Default Disable Low Battery off - the unit will give a low battery signal every 45 seconds when the battery is low and needs to be replaced.

Disable Low Battery on - the unit will not give a low battery signal when the battery is low or when a battery is not used.

Extra wiring features

Remote bypass input - Terminals 3&4 can be wired to a dry open switch to allow authorized door access without alarm activation.

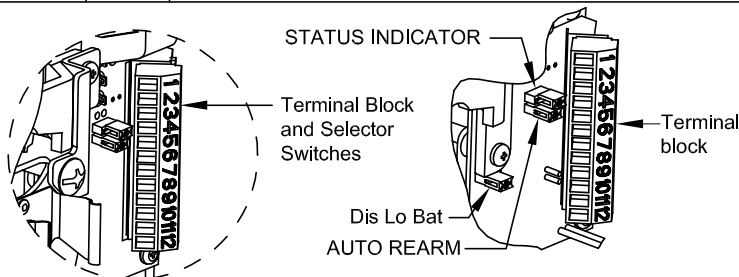
Call bell input - Terminals 7&8 can be wired to a dry open switch to activate the alarm for 3 seconds. Door bell feature.

Alarm Relay Output - Terminals 10, 11 & 12 can be wired to a dry contact input, the relay is triggered when the alarm sounds.

*As shipped from DETEX

Terminal Block	Wiring	Description
1	Power (AC or DC+)	12-24V
2	Power (AC or DC-)	
3	Remote Bypass (Open Contact)	Close to Activate
4	Remote Bypass (Common)	
5	Magnetic Door Switch (Closed Contact, Door Secure)	Open to Activate
6	Magnetic Door Switch (Common)	
7	Call Bell	Close to Activate
8	Call Bell	
9	Not used	
10	Remote Signal (Common)	Alarm Relay Contacts rated at 1.0A @ 30VDC or 0.5A @ 125VAC
11	Remote Signal (Open)	
12	Remote Signal (Closed)	

Status Indicator	Auto Rearm	Selector Switch Modes
*OFF	*OFF	No Status indication. Device is in Extended Bypass Mode.
OFF	ON	No status indication. Device is in Timed Bypass Mode.
ON	ON	Status indication active. Device is in Timed Bypass Mode.
ON	OFF	Status indication active. Device is in Extended Bypass Mode.



Activate/De-activate Silent Arming (No 3-Beeps): Remove all power and open the door/ door contacts. Turn key fully CW to disarm the unit. Hold the Call Bell button (terminals 7&8) closed and apply power. Use a jumper wire if the Call Bell feature is not used. Red and Green LED's flash and siren chirps twice, after approximately 5 seconds release the Call Bell or remove jumper and install unit per instructions.