

**ES411-KO**

- Stand alone access control
- Notifies area personnel of security breach
- Local audible alarm alerts users of door prop condition
- Reduces false alarms caused by unintentional door propping

Operation

The **ES411 Series Door Prop Alarm** provides a unique solution for the common security problem of propped doors (door held). These units are typically mounted near the monitored door. When the door has been held open longer than the preset time interval (adjustable 0-60 sec) the local audible alarm sounds to advise that the door should be closed. When the door is closed, the alarm is silenced and the timing circuit is automatically reset.

This unit also has an alarm status relay to enable remote monitoring of door alarms. The relay and audible alarm are activated after time delay expires.

Electrical Specifications

Power	12-24 VAC/VDC @ 100 mA
Local Control	Key switch for reset/bypass
Control Input	N/C door contact
Control Output	N/C, 500 mA @ 30 VDC
Delay Time	Adjustable 0-60 seconds
Alarm	80dB @ 3 ft

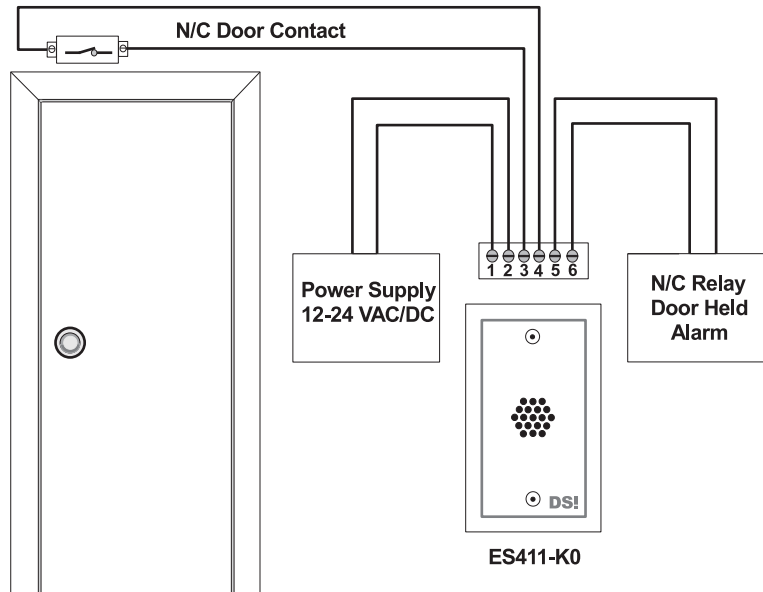
Mechanical Specifications

Dimensions	ES411-K0	2.76"w x 4.60"h x 1.49"d
	ES411-K1	4.60"w x 4.60"h x 1.49"d
	ES411-K2	4.60"w x 4.60"h x 1.49"d
	ES411-K3	4.60"w x 4.60"h x 2.30"d
	ES411-K4	4.60"w x 4.60"h x 2.30"d
	ES411-K5	4.60"w x 4.60"h x 1.49"d
	ES411-K6	4.60"w x 4.60"h x 1.49"d
	ES411-K7	4.60"w x 4.60"h x 2.30"d

Key Switch Options	K0	No key switch
	K1	Double bit
	K2	Barrel
	K3	Rim with cylinder
	K4	Rim without cylinder
	K5	Medeco
	K6	DPDT
	K7	Rim with small format interchangeable core cylinder (SFIC)

Finish	Painted - DSI Beige
---------------	---------------------

Door Prop Alarm Application

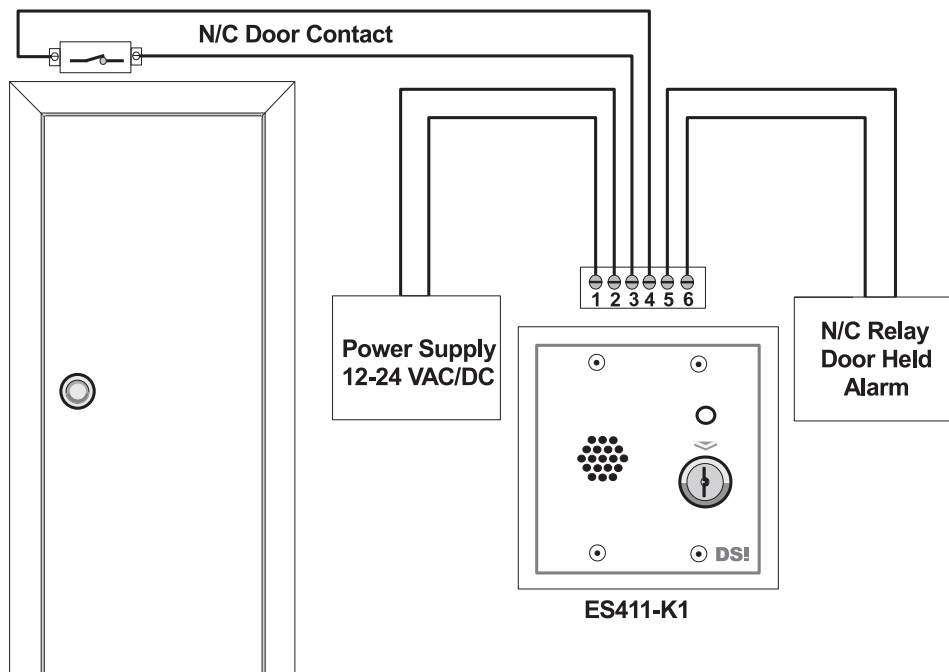


The **ES411 Door Prop Alarm** gives an audible warning tone whenever employees/tenants leave monitored doors open longer than necessary for normal door use (adj 0-60 seconds).

This encourages them to close the door, which silences the audible alarm.

The “Door Held Alarm” contact may be monitored remotely to record the violation or to alert security.

Wiring Diagram



ES411 Accessories

Surface Mount Boxes **DSI part number S1, S2**
* Space inside for wiring
* Mounts directly to wall surface
* 1 gang, 2 gang
For specifications see accessories page 1

Door Contact **DSI part number DC/HS30, DC/SD80**
* Surface mount or recessed
* White
For specifications see accessories pages 2, 3

Power Supply **DSI part number PS/AC16**
* Basic surge protection
* LED power indicator
For specifications see accessories page 5

Extra Keys **DSI part number K-1**
* Double bit key
* 2 keys included

DSI part number K-2
* Barrel key
* 2 keys included

DSI part number K-3
* Rim cylinder key
* 1 key included

DSI part number K-5
* Medeco key
* 1 key included

DSI part number K-6
* DPDT
* 2 keys included

ES411 Options

Key Switch Options * K0 No key switch
* K1 Double bit
* K2 Barrel
* K3 Rim hardware with cylinder
* K4 Rim hardware without cylinder
* K5 Medeco
* K6 DPDT
* K7 Rim with small format interchangeable core cylinder (SFIC)