



EN ENGLISH



Centaur[®]

INTEGRATED ACCESS CONTROL

CA-A360-USBCAB

**USB/RS-232 to
RS-485 Converter**

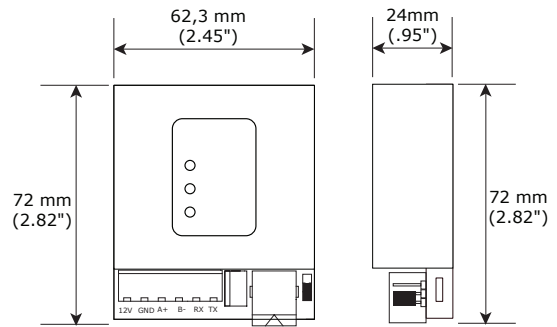
The CAA360USBCAB (RS485 Converter module) is a communication interface that is installed between the managing computer and the first controller of your CENTAUR access control system. Connect the controllers in a “daisy chain” configuration up to a distance of 1220m (4000ft). Two converters can also be used as a repeater, extending the distance of an RS232 or RS485 bus by 1220m (4000ft). Transmit, receive and power LEDs provide visual indication of the module’s status.

The installer’s choice
cdvi.ca

CENTAUR
CA-A360-USBCAB Converter

CA-A360-USBCAB - USB/RS-232 to RS-485 Converter

- Converts RS-485 protocol to USB or RS-232 protocol.
- Communicate with a CT-V900-A controller up to 1220m (4000ft) away.
- Required cable: 2 twisted pair UTP cable (Cat 5)
- Transmit, Receive and Power status LEDs
- On-board End-Of-Line (EOL) and BIAS jumpers
- 2m (6ft) 9-Pin D-Sub RS-232 connector included
- Power Requirements: 12Vdc
- Current consumption: 100mA max.
- Selectable baud rate: 9600 or 19200 bps
- Operating temp: 0°C to 49°C (32°F to 120°F)



Wiring Diagram

