



CDV® Group

INSTRUCTIONS

USB TO RS-485 CONVERTER CA-A360-USB

The USB / RS-485 converter (CA-A360-USB) is a local interface between the Access Control system and the Centaur Software. Connected directly between a computer and the CT-V900-A, the USB / RS-485 converter will transfer information at a speed of 19,200 baud to a distance of up to 1220m (4000ft).



- Converts RS-485 to USB or RS-232 protocol
- Communicate with a CT-V900-A controller up to 1220m (4000ft) away.
- Transmit, Receive and Power status LEDs
- One 120 Ohms resistor (End Of Line resistor)
- 2m (6ft) DB-9 serial cable included
- Power Requirements: 12Vdc
- Current consumption: 100mA max.
- Recommended cable: 4 twisted pairs UTP (Cat 5)

JUMPER AND RESISTOR SETTING

The jumper JP1 (Half/Full) on the Converter must be set to ON (Half Duplex) and the 120 Ohms resistor should be installed between A+ RX and B- RX (See figure 1)

LED INDICATORS

Receive: Incoming transmission from controller.
 Transmit: Outgoing transmission to controller.
 Power: Indicates the presence of power.



End of line resistor
120 Ohms

Figure 1

JP1 →



HARDWARE INSTALLATION

When the distance between the CT-V900-A and the computer is beyond 8m (25ft), the CA-A360-USB converter is required.

Serial Connection

Connect the 6 pin cable that comes with the CA-A360-USB module to the connector on the module. The other end (DB-9 adaptor) should be connected to the serial RS-232 communications port on the computer.

USB Connection

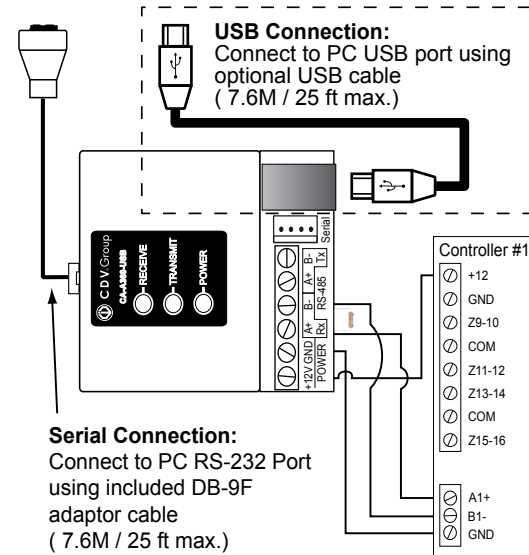
If using a USB cable (not included) instead of a standard 9-pin serial cable (DB- 9) to connect to the computer, the USB driver must first be installed on the computer. The driver is available on the Centaur CD, and on the CDV Americas Web site: www.cdvamericas.com.

1. If retrieving the USB driver from the Centaur CD, insert the CD into the computer's CD-ROM drive. If retrieving the USB driver from the CDV Americas Web site, save and extract the appropriate .zip file (**USB-RS485 Drivers Win2000-XP. ZIP**) to the computer.
2. Connect the USB cable from the USB / RS-485 converter to a USB port on the computer.
3. Follow the on-screen instructions. If the USB driver was obtained from the CDV Americas Web site, you will need to browse the computer when prompted for the required files.

Connect the A+ (Rx), B- (Rx), +12V and GND terminals of the CA-A360-USB module to the A1+, B1-, +12V and GND terminals of the first CT-V900-A controller (Figure 2). Terminals +12V and GND of the CA-A360-A can be connected to external power supply.



Figure 2



SOFTWARE INSTALLATION

In order for Centaur to communicate with the CT-V900-A via your new USB / RS-485 converter, the desired COM / USB port must be selected.

1. Open the administration console, right click on you site from the left tree view, and then properties
2. From the Site properties, go in the Coms tab and select from the COM port 1 (CTL 1-64) drop down list the com port assigned to your new CA-360-USB converter

Note:

Refer to the Windows device manager to know which COM Port number has been assigned to your CA-360-USB converter (Figure 3)

Figure 3

