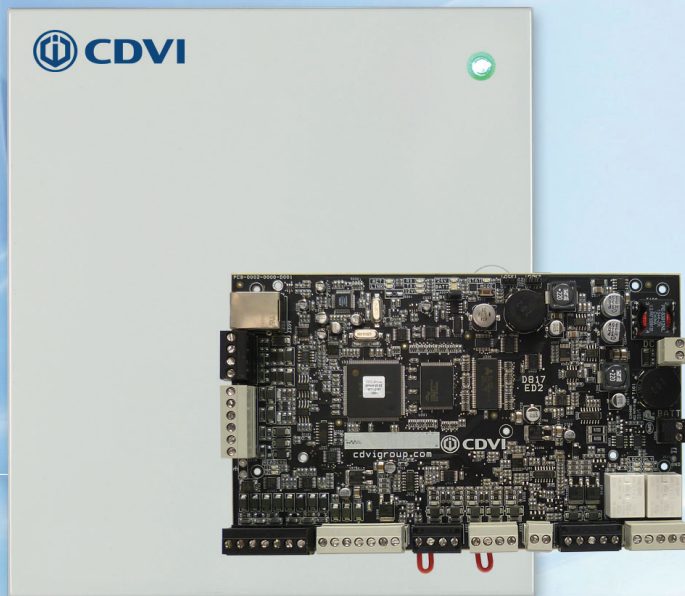




EN ENGLISH



**ADH10**

**ATRIUM  
Schlage Integration Module**

*The installer's choice*  
**cdvigroup.com**

**ATRIUM ADH10**

Schlage Integration Module (Control up to 10 Schlage Door Handles)

**Thank you for buying our products and for the confidence you placed in CDVI.**

**1] PRODUCT PRESENTATION . . . . .3**

**2] NOTES AND RECOMMENDATIONS. . . . .4**

    FCC & IC Compliance . . . . . 4

    UL Compliance. . . . . 4

    UL 294 Compliance Notice . . . . . 4

    Free Technical Support . . . . . 4

    Recommended Wiring. . . . . 5

    Specifications . . . . . 5

    Free Technical Support . . . . . 5

**3] PACKAGE CONTENTS . . . . .7**

    Location and Mounting . . . . . 8

**4] MOUNTING INSTRUCTIONS . . . . .9**

    Installing the Tamper Switches . . . . . 9

    Installing the box lock . . . . . 12

    Fixing the Box to its Location . . . . . 13

    Installing the ADH10 PC board . . . . . 14

**5] WIRING DIAGRAM. . . . .15**

    Connecting ALLEGION GWE, PIM400-485 or AD-300 . . . . . 15

    Box Tamper Switches . . . . . 16

    Power supply. . . . . 17

    Battery Backup . . . . . 19

    LED Indicators. . . . . 20

    Ethernet Network Connection & RS485 BUS . . . . . 21

    System overview . . . . . 22

**6] PROGRAMMING . . . . .23**

**7] WARRANTY - TERMS & CONDITIONS . . . . .24**

Copyright (C) 2011 CDVI. All rights reserved. ATRIUM Access Control is protected by copyright law and international treaties. Unauthorized reproduction or distribution of this product, or any portion of it, may result in severe civil and criminal penalties, and will be prosecuted to the maximum extent possible under law.

All other brand and product names are trademarks or registered trademarks of their respective companies.

The information contained in this publication is subject to change without notice.

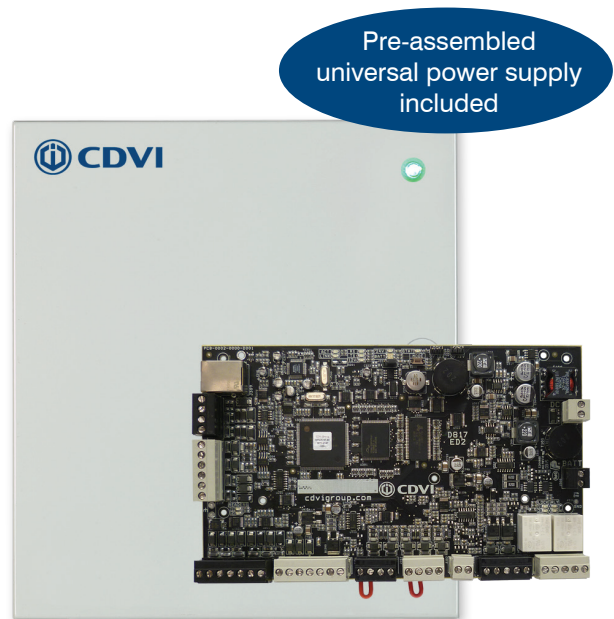
# ATRIUM ADH10

## Schlage Integration Module (Control up to 10 Schlage Door Handles)

### 1] PRODUCT PRESENTATION

One ATRIUM ADH10 controller has the capacity to control ten NDE, AD300 and/or AD400 SCHLAGE door handles. ATRIUM ver. 3.1 (or higher) multi-account software supports up to 500 door handles per account (site). This is accomplished by using fifty ADH10 controllers connected to an IP network. Effortless auto detect technology identifies the SCHLAGE door handle on the communication bus. A pre-assembled universal power supply is included with every ADH10 making this unit an industry leader in efficiency and simplicity.

- **Control 10 Schlage door handles**
- **On-board Ethernet Port with AES 256-bit encryption**
- **Auto-detect technology**
- **10,000 users**
- **10,000 cards**
- **25,000 Event Buffer**
- **100 holidays**
- **1,000 Access Levels**
- **1,000 Schedules each supporting up to 100 time periods (dd, hh:mm) and recurrence**
- **Full calendar with leap year support**
- **Time zone definition (full D.S.T. support)**
- **1220m (4000ft) 4 conductor RS-485 expansion bus (No jumpers or DIP switches)**
- **Comprehensive LED status indicators**



### SCHLAGE DOOR HANDLE COMPATIBILITY:

Bluetooth™  
4.0

Low Energy



**NDE**  
Wireless Electronic Lock  
(Work with GWE)



**AD-300**  
Hardwired Electronic Lock

900MHz



**AD-400**  
Wireless Electronic Lock  
(Work with PIM400-485)

## ATRIUM ADH10

### Schlage Integration Module (Control up to 10 Schlage Door Handles)

## 2] NOTES AND RECOMMENDATIONS

---

### FCC & IC COMPLIANCE

This device complies with Part 15 of the FCC rules Class A. Operation is subject to the following two conditions: (1) this device may not cause harmful interference, and (2) this device must accept any interference received including interference that may cause undesired operation. This class A digital apparatus meets all requirements of the Canadian Interference Causing Equipment Regulations. The ATRIUM ADH10 is also compliant with EN55022:1998, amendment 1:1995, Class A.

### UL COMPLIANCE

To comply with UL listings, the following requirements must be met:

- Use of UL listed readers (Wiegand: 26-bit, 30-bit and 40-bit; mag stripe: up to 32 digits)
- Use of a UL recognized tamper switch on every housing cabinet for the ADH10
- Use only UL listed cables
- Use only UL listed adaptors

Note: All circuits are power limited.

### UL 294 COMPLIANCE NOTICE

- Use only UL 294 listed power supply
- Connect CDVI LED status indicator, part number 7020-0001-0000, to the DC Input gray terminals of the ADH10.

Note: Backup battery provides operation of up to 12 hours but has been tested for 4 hours per Section 33 of UL 294, fifth edition.



---

The system's location and wiring methods shall be in accordance with the National Electrical Code, ANSI/NFPA 70.

---

### FREE TECHNICAL SUPPORT

For technical support in Canada or the U.S., call 1-866-610-0102, Monday to Friday from 8:00 a.m. to 8:00 p.m. EST. For technical support in your area, refer to the last page of this document or visit our website: [www.cdvigroup.com](http://www.cdvigroup.com).

# ATRIUM ADH10

## Schlage Integration Module (Control up to 10 Schlage Door Handles)

### RECOMMENDED WIRING

Equipment	Wire Type	Size	Maximum Length
Power Supply	3 conductors, solid copper 18AWG (1.02mm)	14AWG (1.63mm)*	8m (25ft.)
Ethernet	CAT 5/5e	-	100m (300ft)
RS485 bus, Star or Daisy Chain (no BIAS/EOL required)	CAT 5/5e or 4 pairs	24AWG (0.51mm)	1220m (4000ft.)
	4 conductors, copper	26AWG (0.40mm) to 18AWG (1.02 mm)	

\* The Minimum Size Equipment Conductors for the AC mains required are 14 AWG if made of Copper or 12 AWG if made of Aluminium or Copper-Clad Aluminium. Do not use any switch-controlled outlets to power the system.

### SPECIFICATIONS

System Resources	
Schlage Door Locks	Up to 10 Schlage Door Locks
Cards and users	Up to 10,000 cards and users
Schedules	Up to 250 Schedules each supporting up to 100 time periods (dd, hh:mm)
Buffered Events	Up to 25,000 events
Holidays	Up to 100 holidays (yyyy-mm-dd, hh:mm)
Access Levels	Up to 1000 access levels
Operating Temperature	-20°C to +70°C (-4°F to +158°F)
Humidity	0% to 85% (non condensing)
System Autonomy	Full Distributed Architecture (100% Off-line Operation)
Firmware	Online Upgradeable
PCB Dimensions	19.9cm (7.83") x 12.38 cm (4.875")
Cabinet Dimensions	29 cm (11.4") high, 28 cm (11") wide, 8 cm (3.15") deep

Inputs	
Box Tamper	Normally Closed (N.C.) contact

# ATRIUM ADH10

## Schlage Integration Module (Control up to 10 Schlage Door Handles)

### Communication

LOCAL BUS	RS485 @ 57600Baud supporting daisy chain topologies up to 4000ft (1220 meters)
ETHERNET	10/100 Base-T, Auto Sensing, 100m(300ft)

### Power Supply

AC Power	120-240Vac
Frequency	50Hz/60Hz
Output	24Vdc, 2.5A
AC Terminal Fuse	250Vac, 2.5 A, Time Lag, Slow Blow, Operating Temperature: -55°C to +125°C
Power Loss Indicator	Yes (DC IN)



Do Not Connect to a Receptacle Controlled by a Switch.  
Other 24Vac, 75VA 50/60Hz UL/ULC certified transformer can be use.

### On-Board Protection (All fuseless, auto-resume)

AUX	12Vdc @ 1A
Battery	Against reversal, short, current limited/monitored

### Power output specifications

#### Battery Backup

Battery Capacity	12Vdc 7Ah rechargeable acid/lead or gel cell backup battery (UL/ULC: YUASA #NP7-12 recommended, Europe: CDVI B7AH recommended). Ensure proper polarity.
Charging Current	250mA (default), 320mA, 500mA, or 1A. Refer to the ATRIUM user interface instruction manual for more information on how to modify the battery charging current.
Low Battery @	11.8Vdc
Low Battery Restore @	12.2Vdc
Low Battery Cut-Off @	10.5Vdc

#### Power Outputs (+12Vdc)

LOCAL BUS	Maximum Current 1000mA
-----------	------------------------

# ATRIUM ADH10

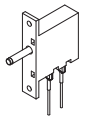

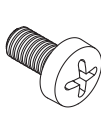
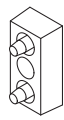
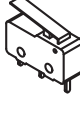
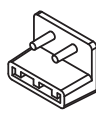
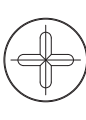
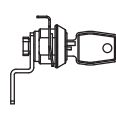
## Schlage Integration Module (Control up to 10 Schlage Door Handles)



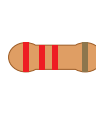
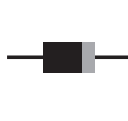
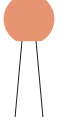

### 3] PACKAGE CONTENTS

This chapter details how to install and setup the ATRIUM ADH10 .

The ADH10 contains:

- One ADH10 module in its cabinet with connection diagram label
- AC power cord
- Metal Box kit (See below)
- Installation kit (See below)

								
<b>Metal Box Kit</b>	Wall Switch and a white wire (115mm)	3 wires for tamper switch (2 x 360mm and 1 x 165mm)	Bolts and Nuts	Wall Switch Spacer	Door Switch and 2 white wires (350mm)	Door Switch Support	Metal box screw for door enclosure	Metal box lock and key
	1	3	2 each	1	1	1	4	1

						
<b>Installation Kit</b>	Red and black wires, for backup battery (400mm)	1K Resistor	2.2K Resistor	Diode 1N4007 for DC door strikes or maglocks	Varistor for AC door strikes or maglocks	Fastener (PCB Holder)
	1 pair	22	10	2	2	7

If any item is missing, please notify your distributor immediately.

# ATRIUM ADH10

## Schlage Integration Module (Control up to 10 Schlage Door Handles)

### LOCATION AND MOUNTING

The cabinet is designed to be installed indoors, in a safe and secure location. Suggested locations include electrical rooms, communication equipment rooms, closets or in the ceiling. To save time, wiring and facilitate testing, install the cabinets at an equal distance between its controlled doors. Normal temperature and humidity levels should be maintained.



Please note that other approved cabinets with approved tamper switch on the front cover and rear surface can be used.

#### Cabinet Dimensions:

29 cm (11.4") high, 28 cm (11") wide, 8 cm (3.15") deep

#### The Cabinet Can Accommodate:

One 12Vdc @ 4.5AH or 7AH, gel cell type batteries and wiring connections (15cm (6") high, 6cm (2.5") wide, 9 cm (3.54") deep)

Battery Model	Voltage	Capacity	Length	Width	Height
YUASA #NP7-12	12 Volt	7 Ah	151mm (5.94")	65mm (2.56")	97.5mm (3.84")
YUASA #NP4-12	12 Volt	4.5 Ah	90mm(3.54")	70mm (2.76")	106mm (4.17")

#### Multiple Conduit Knock-outs:

Two 19.05mm (0.75") on each side and one 12.7mm (0.5") on top

#### Minimum Clearance For Cabinet:

- 25cm (10") clear space around all sides
- 38cm (15") clear space in front of cabinet

#### Minimum Clearance From Electrical Interference:

- 2.4m (8ft.) from high voltage equipment or wiring and from electrical equipment likely to generate interference
- 1.2m (4ft.) from telephone equipment or lines and 8m (25ft.) from transmitting equipment



The system's location and wiring methods shall be in accordance with the National Electrical Code, ANSI/NFPA 70.



# ATRIUM ADH10

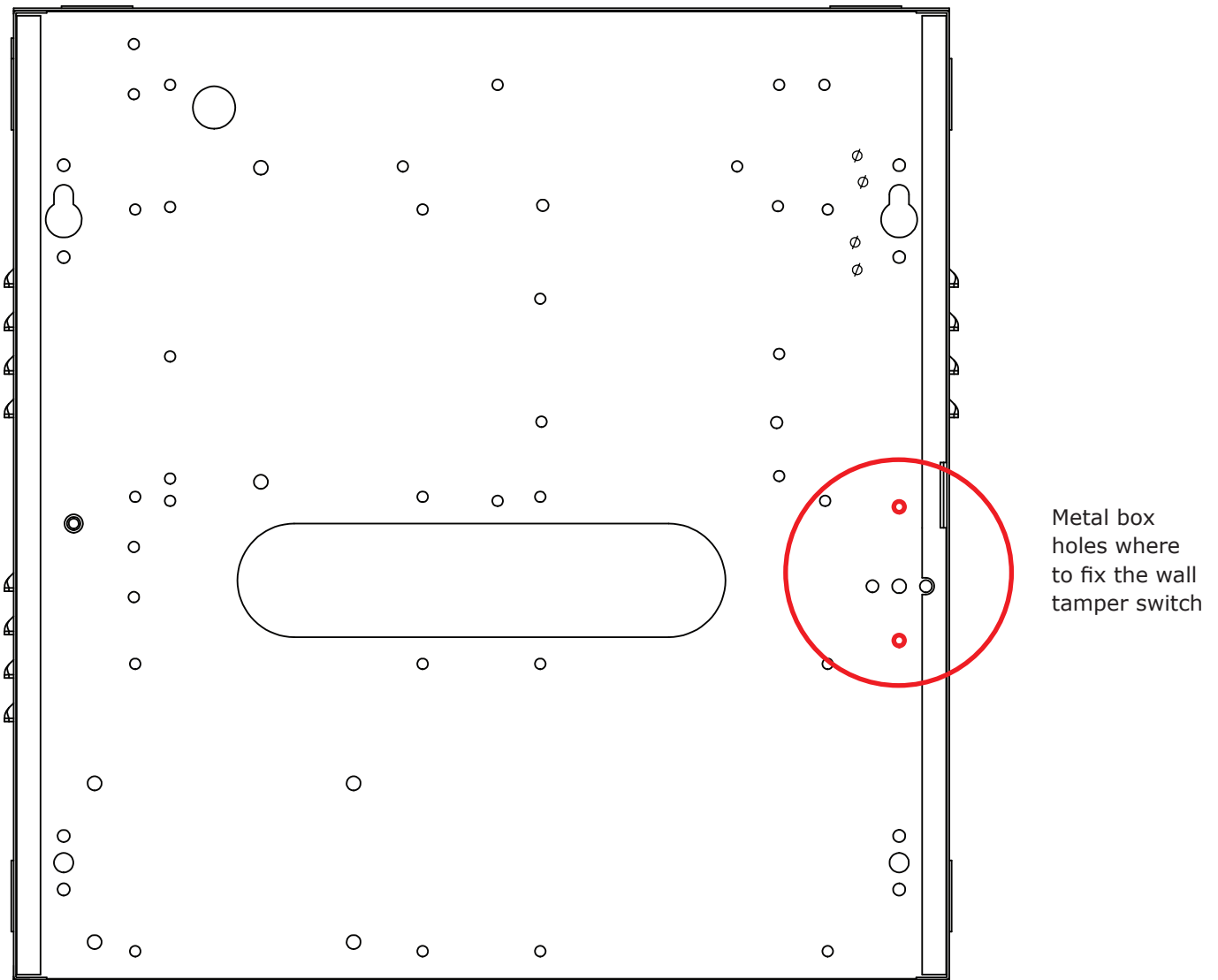
## Schlage Integration Module (Control up to 10 Schlage Door Handles)

### 4] MOUNTING INSTRUCTIONS

The box needs to be prepared before fixing it to its location.

#### INSTALLING THE TAMPER SWITCHES

Installing tamper switches allows the ADH10 to detect when the cabinet door is opened and/or when the cabinet is removed from the wall. If needed install the tamper switch(es) as follows:

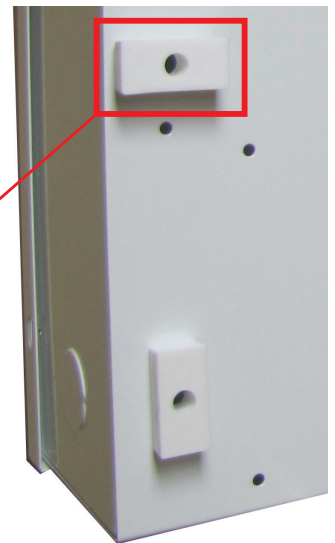
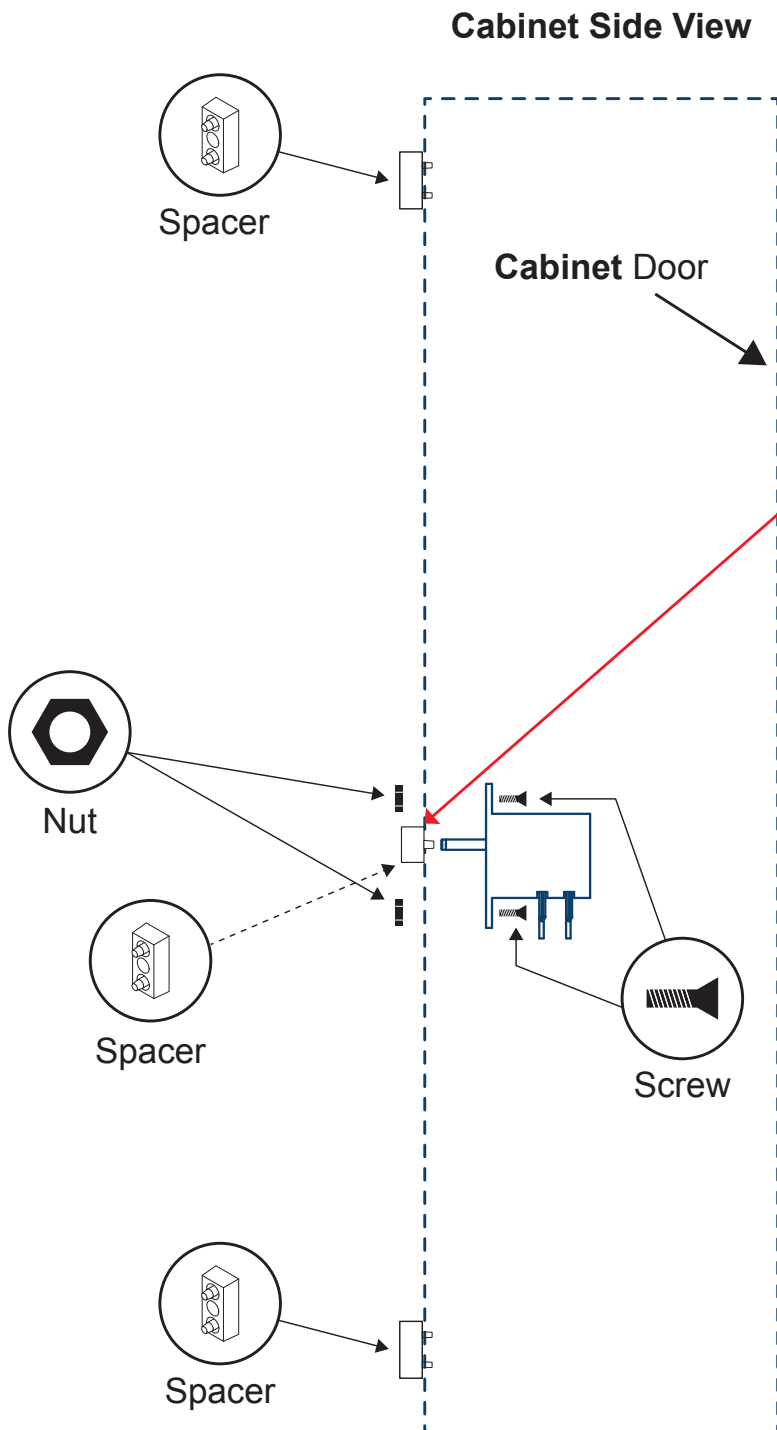


# ATRIUM ADH10

## Schlage Integration Module (Control up to 10 Schlage Door Handles)

Install the wall tamper switch using the supplied bolts and nuts as shown in the following picture.

Install the tamper switch plastic spacer on the back at bottom left side of the box as show in the following picture.



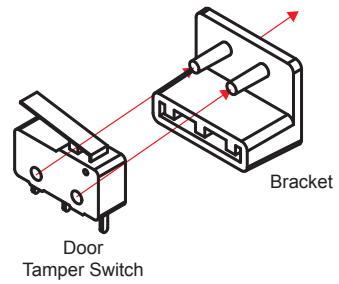
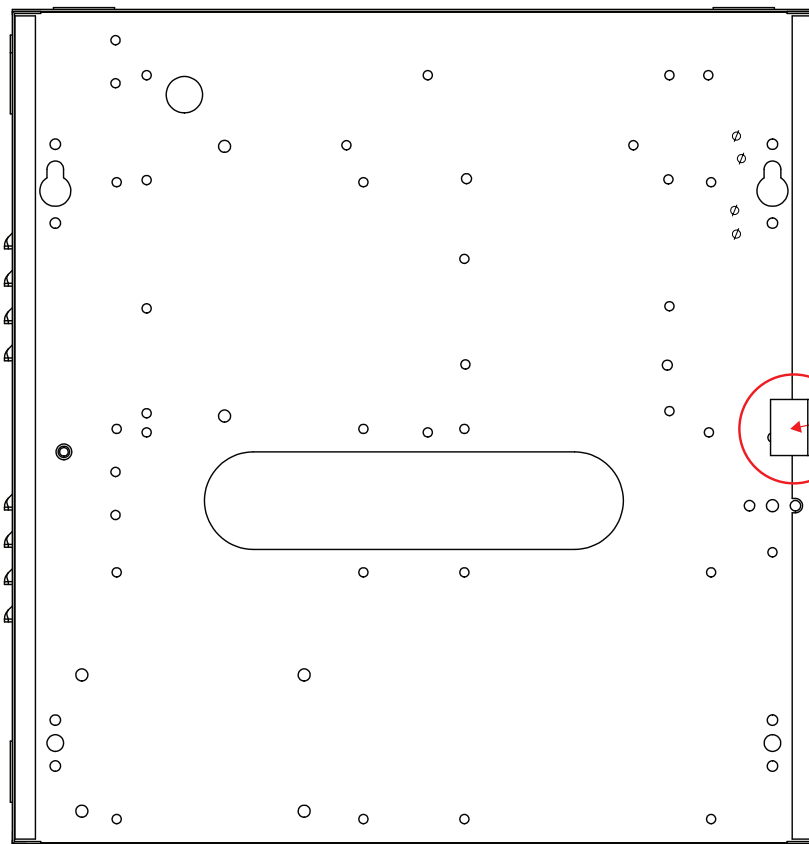
# ATRIUM ADH10

## Schlage Integration Module (Control up to 10 Schlage Door Handles)

Install the door tamper switch by aligning the switch holes to the pre-installed plastic bracket pins. Press firmly to secure the tamper switch in position, then fix the bracket to its mounting flange.

Refer to page 14 for wiring diagram.

Fix the tamper switch to the bracket then mount the bracket on the mounting flange



Door Tamper Switch Mounting Flange



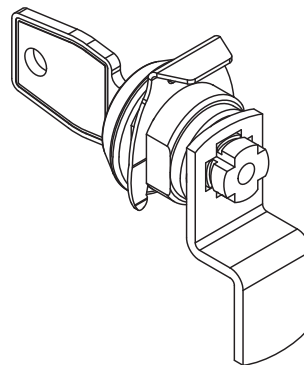
# ATRIUM ADH10

## Schlage Integration Module (Control up to 10 Schlage Door Handles)

### INSTALLING THE BOX LOCK

Installing the box lock allows to secure the box from unauthorized access. Installation procedure:

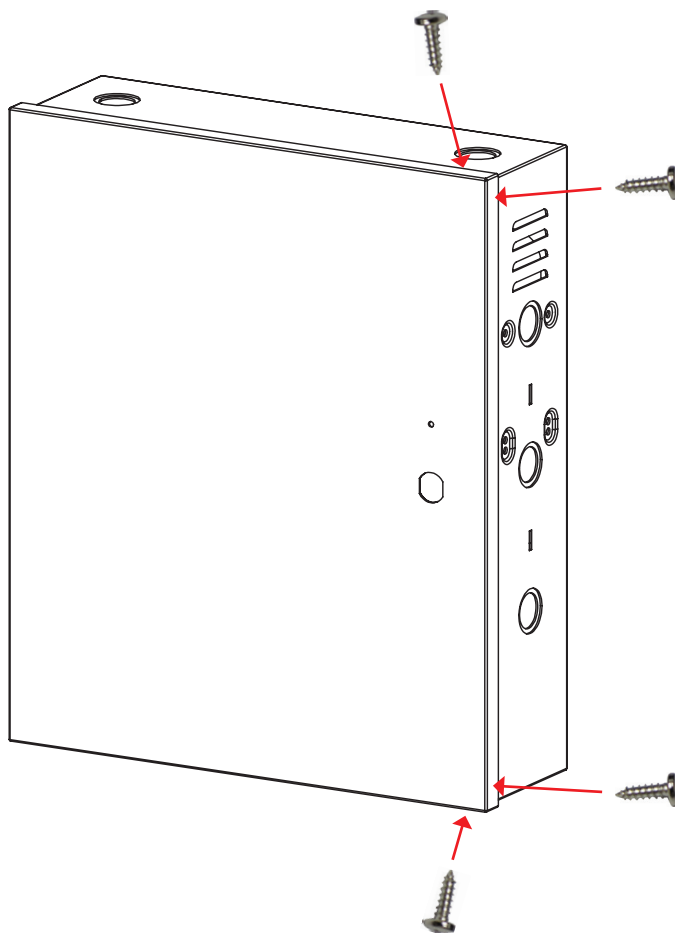
1. Remove the box door knock-out.
2. Insert the lock in the hole.
3. Slide the "U" metal part into the lock groove to secure the lock in place.



Alternatively or complementary to the box lock, the box may be secured by fixing the cover to its base using screws.

However this should be done only once the installation is completed.

1. Use the 4 screws supplied to secure the box cover to its base as shown in the following picture.



## ATRIUM ADH10

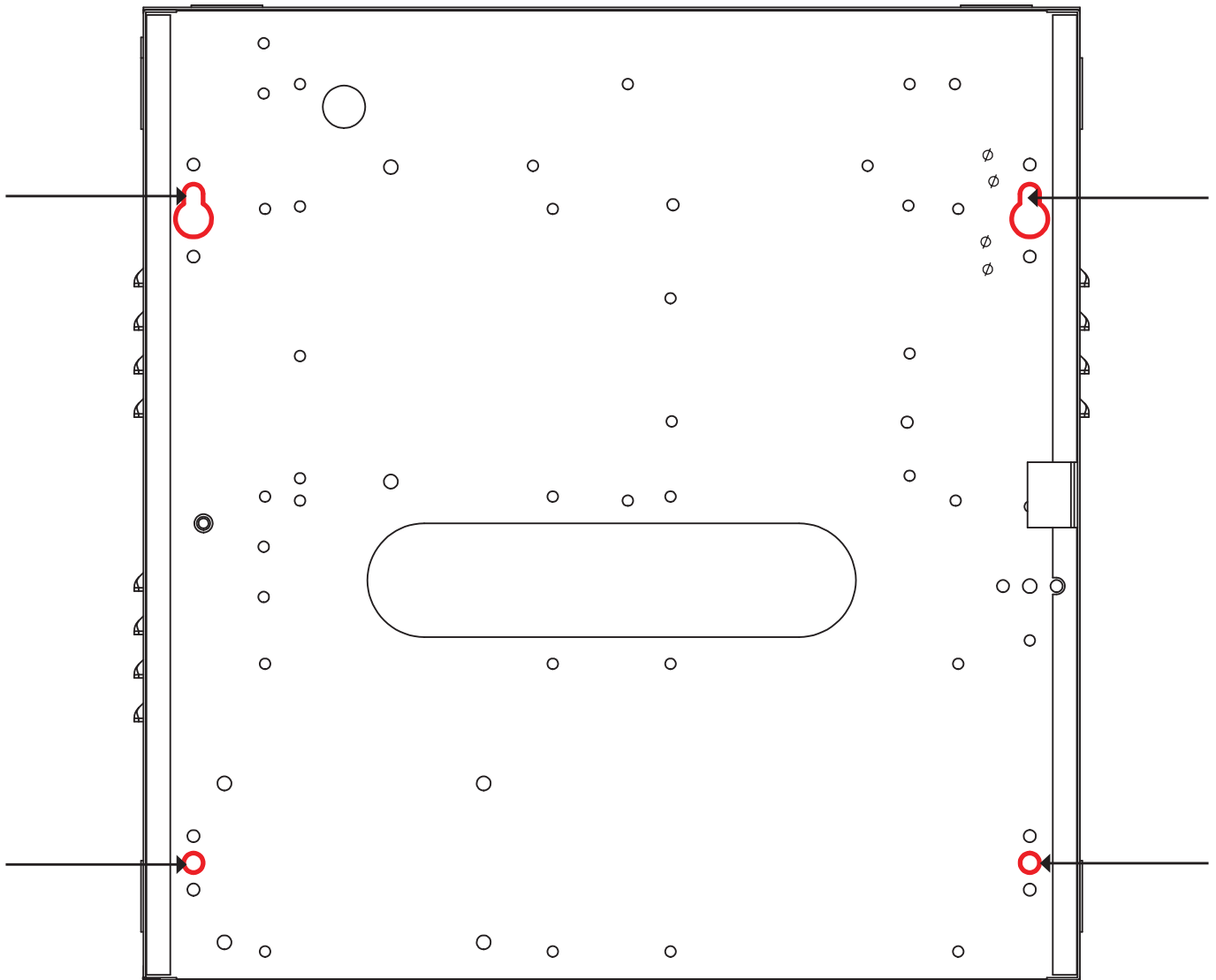
### Schlage Integration Module (Control up to 10 Schlage Door Handles)

#### FIXING THE BOX TO ITS LOCATION

Install the box to its location using 4 screws (not supplied) as shown in the following picture.



If the wall tamper switch is used, make sure that the tamper switch arm moves freely and is completely pushed in when the enclosure is installed on the wall.

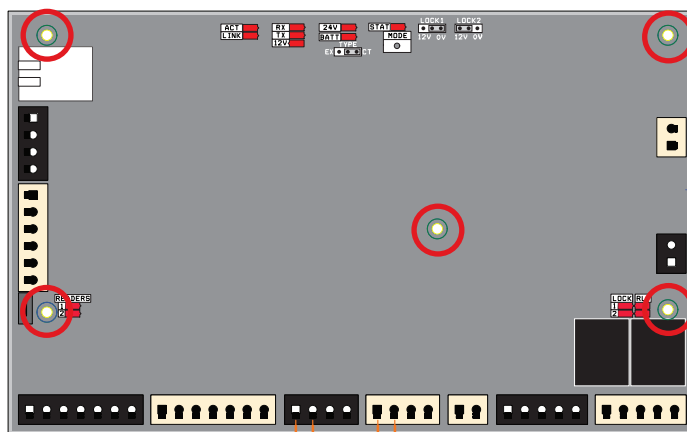
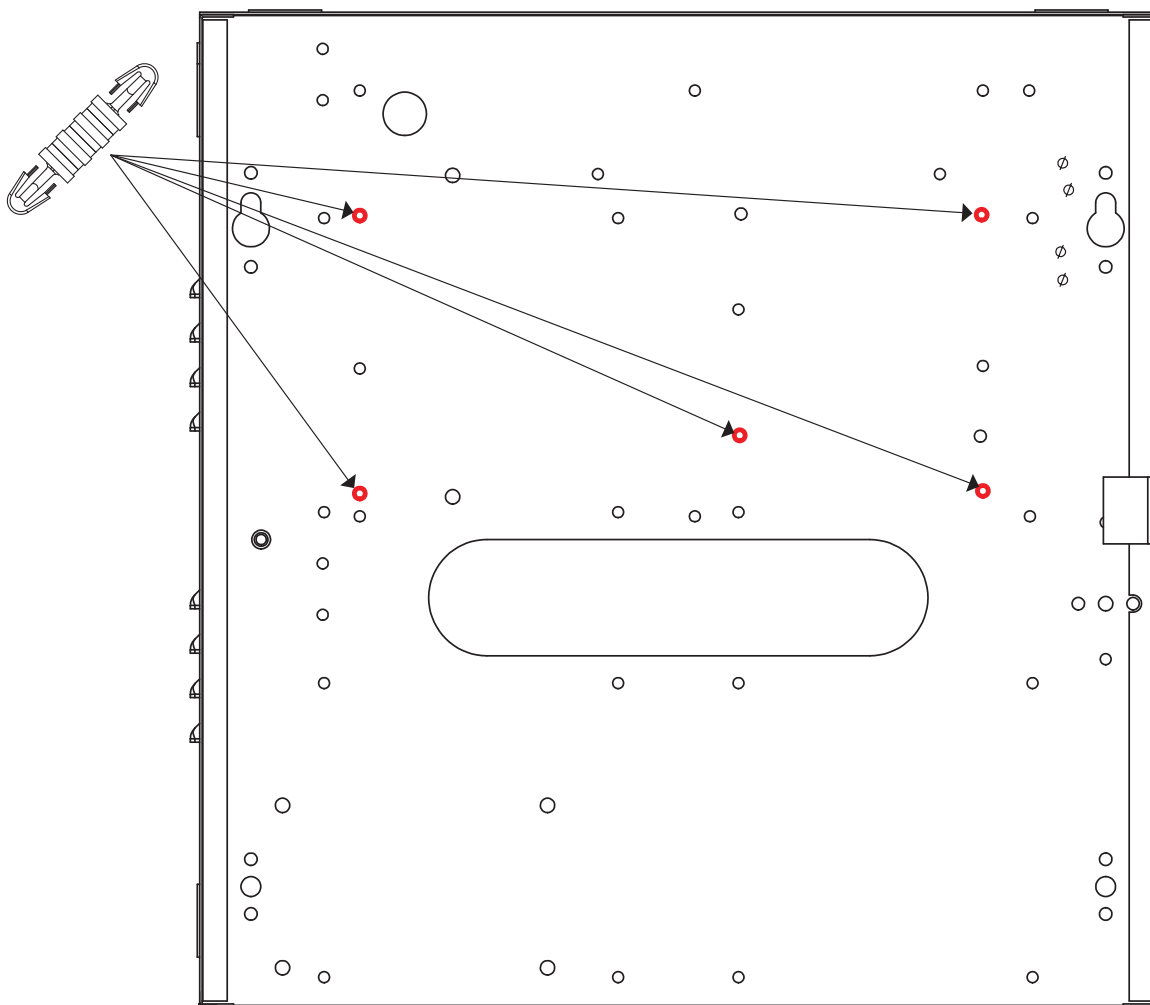


# ATRIUM ADH10

## Schlage Integration Module (Control up to 10 Schlage Door Handles)

### INSTALLING THE ADH10 PC BOARD

Install the 5 fasteners (PCB holder) supplied respectively to the box holes identified in red in the following picture. Install the ADH10 PCB by aligning the fasteners with the corresponding PCB holes and pressing firmly to secure the PCB in place.



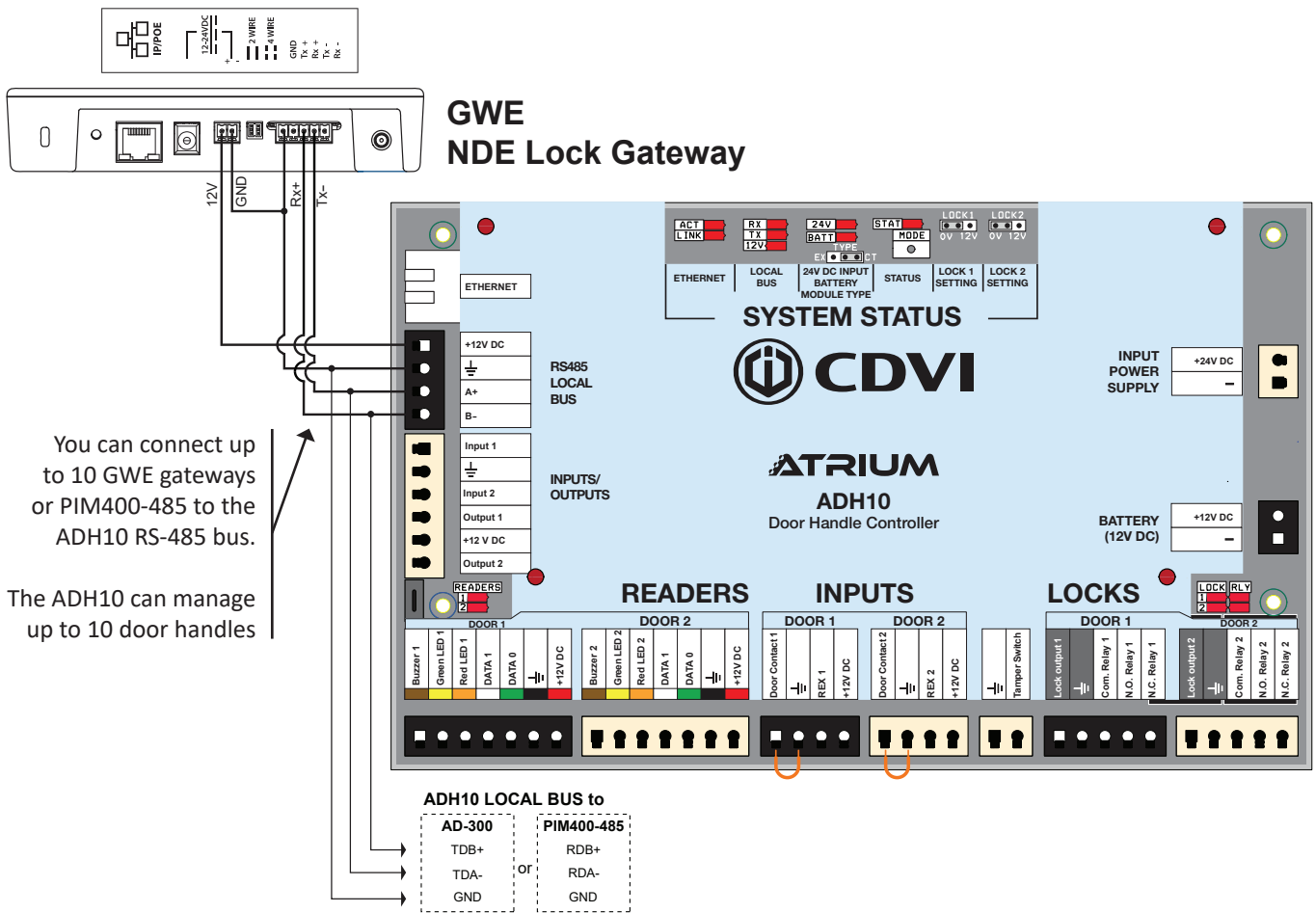
# ATRIUM ADH10

## Schlage Integration Module (Control up to 10 Schlage Door Handles)

### 5] WIRING DIAGRAM

#### CONNECTING ALLEGION GWE, PIM400-485 OR AD-300

Connect ALLEGION GWE gateway, PIM400-485 or AD-300 on a 3 conductor RS485 communication loop in daisy chain configuration up to 1220m (4000 ft) from the ATRIUM ADH10 controller.



Once the connection is properly done as shown above, the ATRIUM ADH10 will automatically detect the Allegion GWE gateway, AD-300 or PIM400-485 on power on.



The ADH10 can provide power to up to three GWE Gateways and/or PIM400-485. Use the supplied GWE transformer to power additional gateways on the same ADH10.

# ATRIUM ADH10

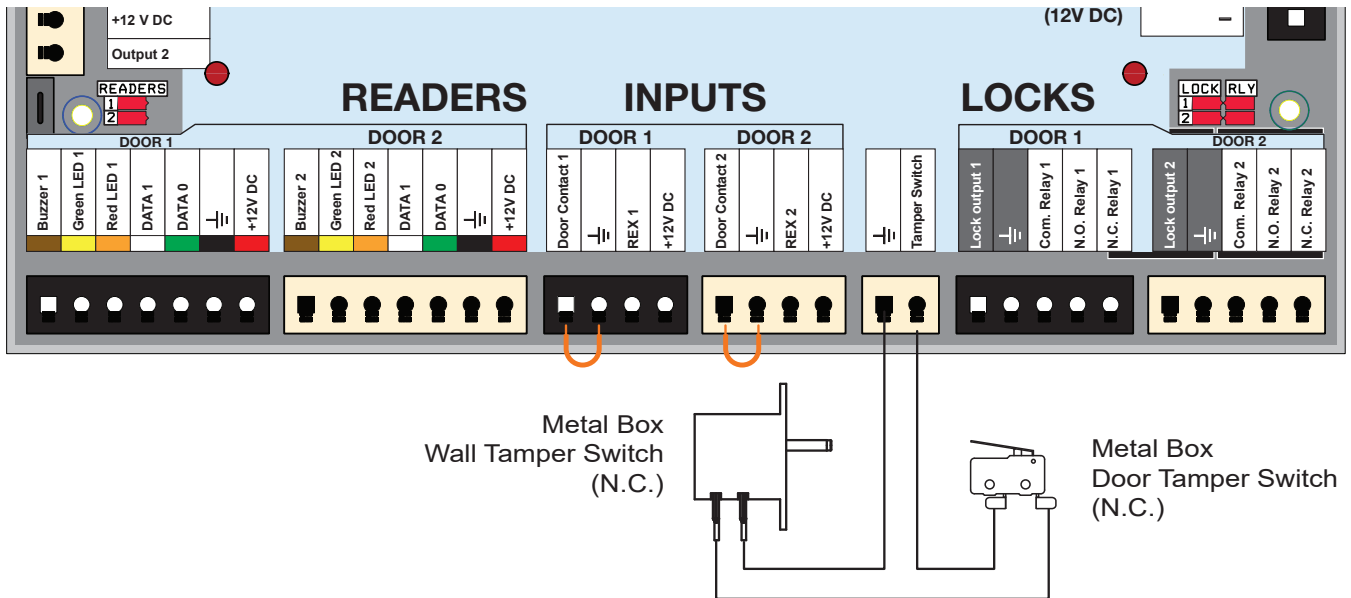
## Schlage Integration Module (Control up to 10 Schlage Door Handles)

### BOX TAMPER SWITCHES

Connecting the tamper switches allows the ADH10 to detect when the cabinet door is opened and/or when the cabinet is removed from the wall. To install the tamper switches, see "Installing the Tamper Switches".

To use both switches:

1. Connect one end of the supplied wire to the door tamper switch terminal and the other end to the wall tamper switch terminal.
2. Connect the other terminal of the door tamper switch to the "TMP" terminals using the supplied wire.
3. Connect the other terminal of the wall tamper switch to the "GND" terminals using the supplied wire.



To use only one switch:

1. Connect one terminal of the tamper switch to the "TMP" terminals using the supplied wire.
2. Connect the other terminal of the same tamper switch to the "GND" terminals using the supplied wire.



If you do not use the tamper switch, connect a wire between the "TMP" and "GND" terminals.



# ATRIUM ADH10

## Schlage Integration Module (Control up to 10 Schlage Door Handles)

### POWER SUPPLY



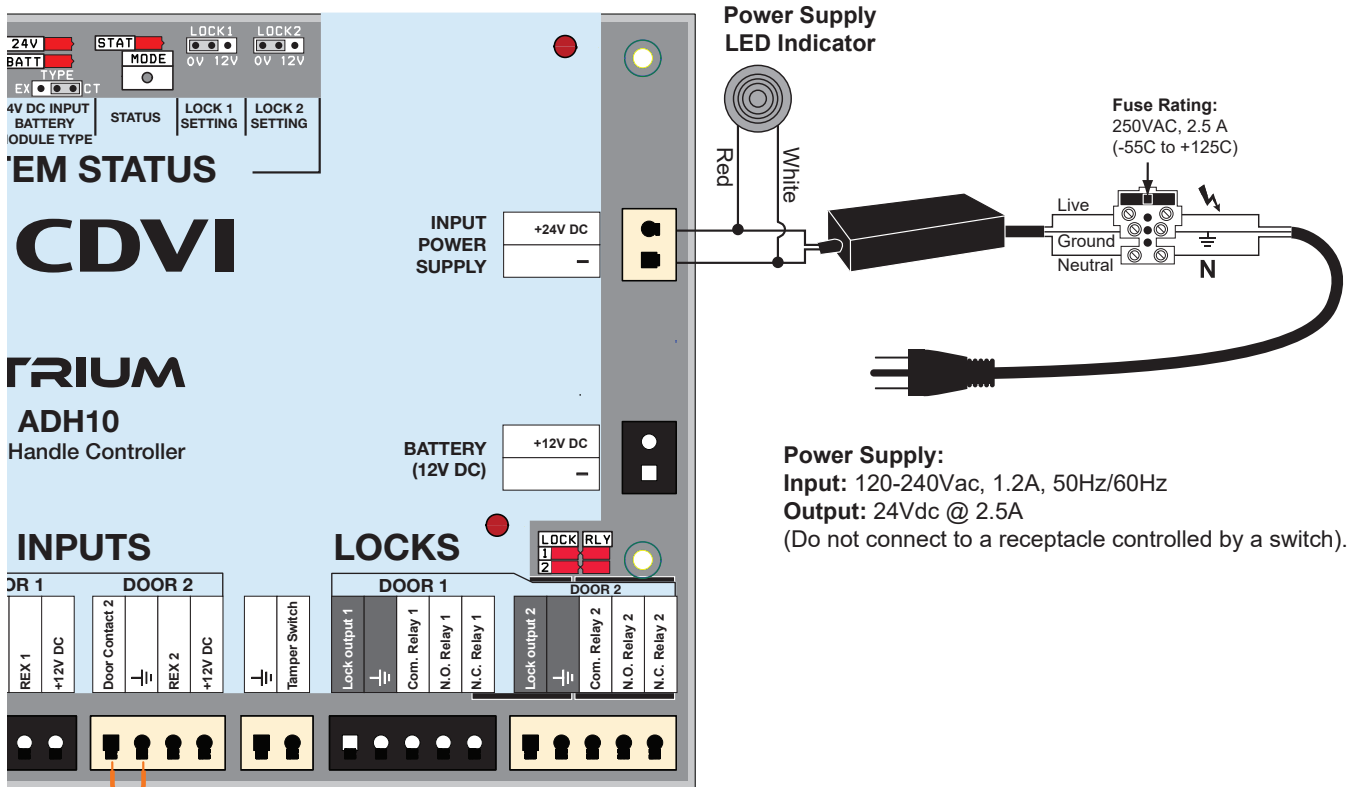
Do not power up the ADH10 until all connections are completed.

The module operates from any 120/240 Vac sources using the supplied AC/DC power supply and provides fully monitored power solutions using:

- Smart Battery Deep discharge prevention with automatic electronic cut-off.
- Programmable & Adaptive battery charging algorithm (250mA (default), 320mA, 500mA, or 1A).
- Intelligent battery monitoring & charging algorithms allowing optimum performance using standard lead acid or gel cell type batteries.
- Real Time Monitoring algorithm for 'Battery Low/Disconnect/Reversal' and 'Insufficient Main Power'.

### AC Source

The AC to DC power supply is pre-installed in the ADH10 box but needs to be connected to the PCB. Simply plug the two pin terminal to the input power supply.



See "Recommended Wiring" section for more information on wiring type, size, and maximum length.

## ATRIUM ADH10

### Schlage Integration Module (Control up to 10 Schlage Door Handles)



The Minimum Size Equipment Conductors for the AC mains required are 14 AWG if made of Copper or 12 AWG if made of Aluminium or Copper-Clad Aluminium. Do not use any switch-controlled outlets to power the system. The system is to be connected to a 15A receptacle or circuit.



For PERMANENTLY CONNECTED EQUIPMENT, a readily accessible disconnect device shall be incorporated external to the equipment.



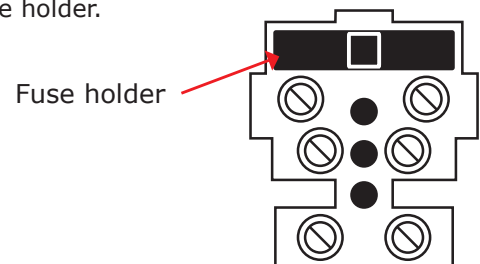
For PLUGGABLE EQUIPMENT, the socket-outlet shall be installed near the equipment and shall be easily accessible.

## AC Terminal Fuse



The following steps are only presented in case you need to replace the AC terminal fuse.

1. Disconnect the AC power cord from the power source or for permanent installation, turn off the power breaker<sup>1</sup>.
2. Open the AC compartment at the top left to access the fuse holder.
3. Pull out the fuse holder.
4. Replace the fuse using the same fuse type:  
250VAC, 2.5 A, Time Lag, Slow Blow,  
Operating Temperature: -55°C to +125°C.



Permitted replacements:

- a) Littelfuse P/N 021802.5MXP
- b) Schurter P/N 0034.3121
- c) Various (means any type, from any manufacturer that complies with the "Technical Data and securement means" and meets the "Mark of conformity" can be used).

5. Replace the fuse holder in its location.
6. Close the AC compartment.
7. Connect the AC power cord to the power source or for permanent installation, turn on the power breaker<sup>1</sup>.



<sup>1</sup>. For permanent installation, this step must be done by a qualified person in accordance with your local safety regulations.

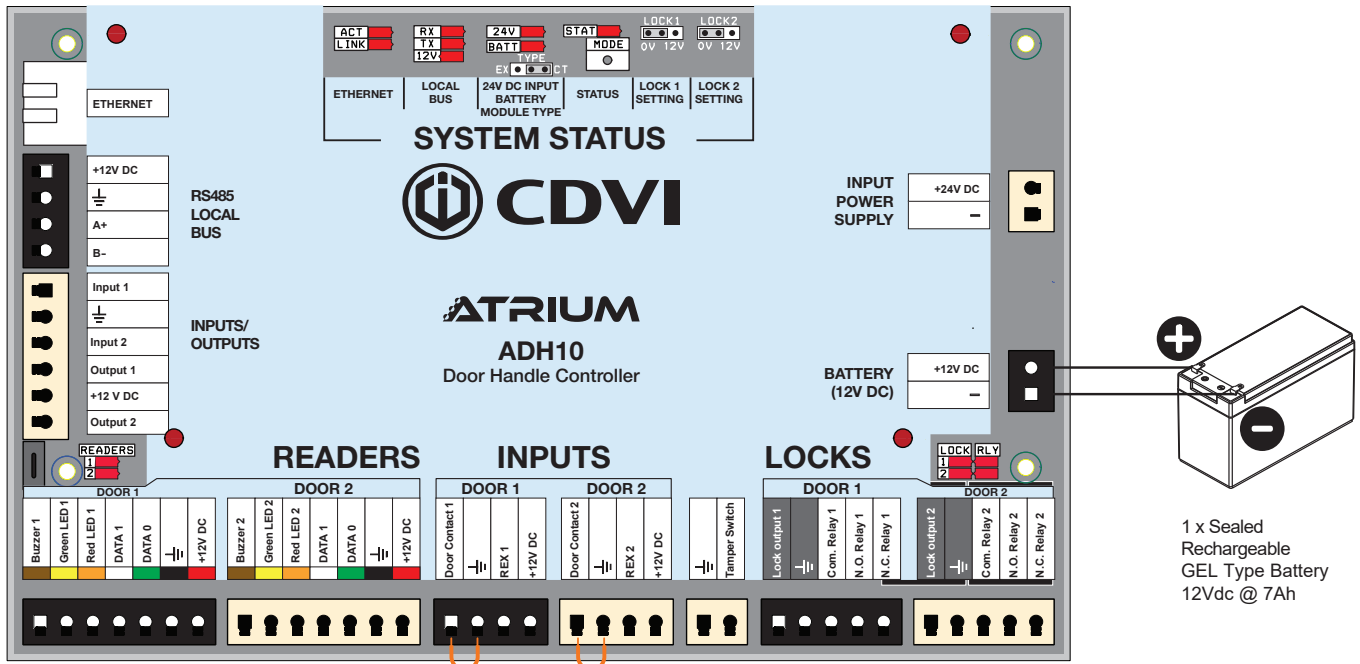
# ATRIUM ADH10

## Schlage Integration Module (Control up to 10 Schlage Door Handles)

### BATTERY BACKUP

The ADH10 cannot be started on battery power only. Battery backup time varies with each system. Typical backup time is between 2 and 20 hours using standard equipment and settings.

Wire a 12Vdc (either 4.5Ah or 7Ah) gel type battery and then connect it to the BATT "+" and "-" terminals with the battery leads supplied.



12Vdc 7Ah rechargeable acid/lead or gel cell backup battery (UL/ULC: YUASA #NP7-12 recommended, Europe: CDVI B7AH recommended). Ensure proper polarity. Various (means any type, from any manufacturer that complies with the "Technical Data and securement means" and meets the "Mark of conformity" can be used).



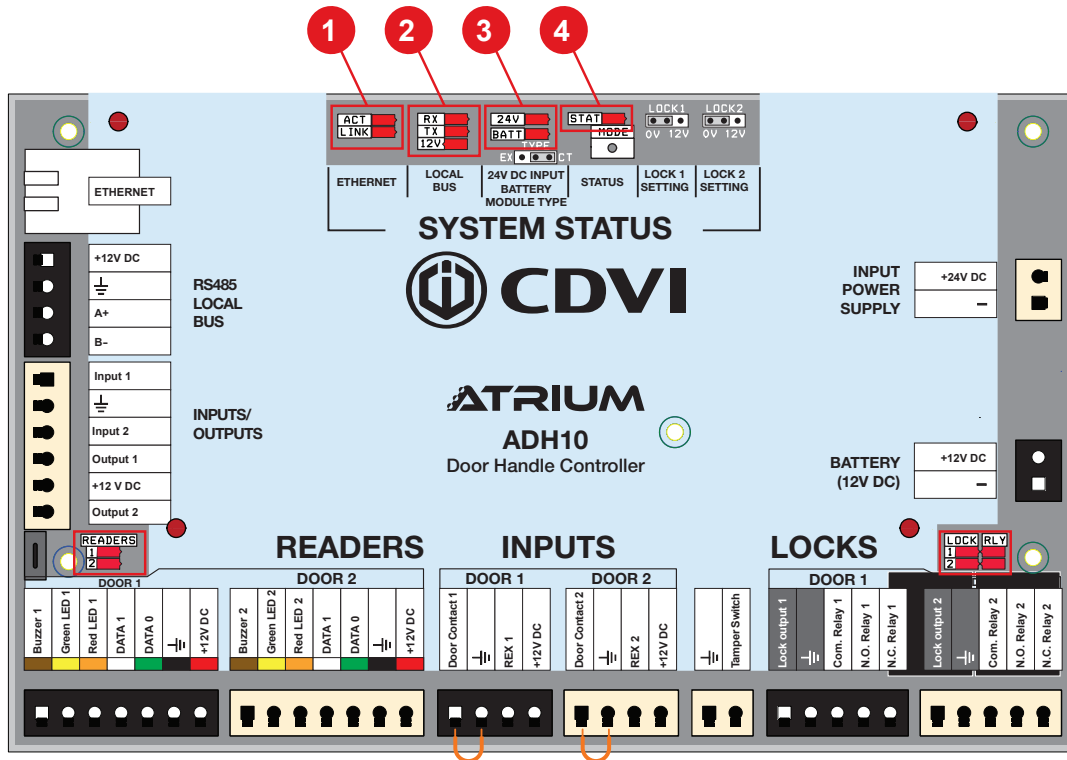
The battery charge current can be set to either 250mA (default), 320mA, 500mA, or 1A. Refer to the ATRIUM user interface instruction manual for more information on how to modify the battery charging current.

# ATRIUM ADH10

## Schlage Integration Module (Control up to 10 Schlage Door Handles)

### LED INDICATORS

The ATRIUM ADH10 has several status LEDs that are very useful to diagnose problems when using or installing the ATRIUM system. Refer to the following picture to locate the LEDs on the ATRIUM ADH10. All LEDs are explained in the following pages.



1	ETHERNET	ACT	Green LED flashing: Data transmitted/received.
		LNK	Green LED: Ethernet network detected.
2	LOCAL BUS	RX	Green LED flashing: Data received on local bus.
		TX	Green LED flashing: Data transmitted on local bus.
		12V	Green LED: 12V on local bus.
3	24Vdc Input / Battery	24V	DC IN Green LED: ADH10 is powered properly. Red LED: No primary power.
		BATT	BATT Green LED: Primary power present and battery charging. Off LED: Primary power present and battery full.
			Red LED: No battery or battery not properly connected.
			Red LED flashing: Battery power is below 11.8Vdc.
4	STATUS	STAT	Flash once per second: Firmware is operating normally. Flash rapidly: Firmware is upgrading. Blink once per 3 seconds: Card enrollment mode.

# ATRIUM ADH10

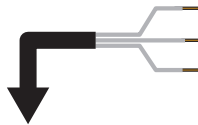
## Schlage Integration Module (Control up to 10 Schlage Door Handles)

### ETHERNET NETWORK CONNECTION & RS485 BUS

The ATRIUM ADH10 provides a 10/100Mbps Ethernet port to allow direct connection from a local PC or interconnect to an existing LAN/WAN. Connect the Ethernet 10/100 Mbps port of the ATRIUM ADH10 to a LAN or WAN network using an UTP cable (maximum 100m (300ft)). Connect expansion modules on a 3 conductor RS485 communication loop in daisy chain configuration up to 1220m (4000 ft) from the ATRIUM controller.

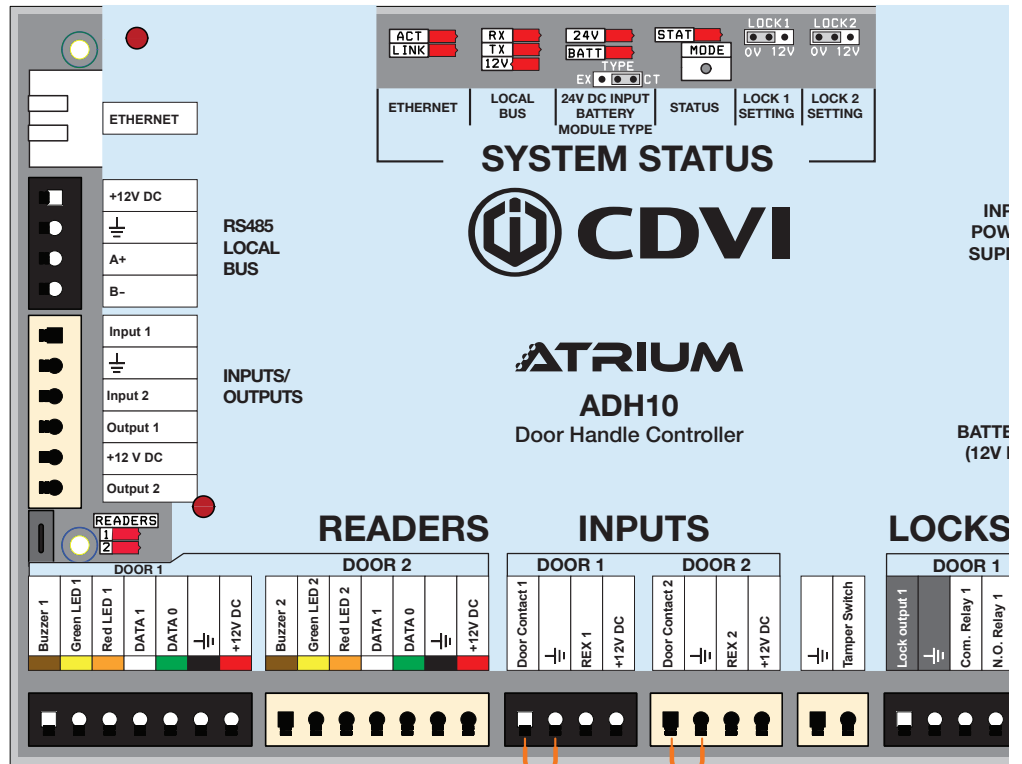
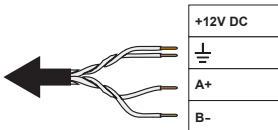


Ethernet @ 10/100 Mbps  
Maximum 100m (300ft.)



Furthest module can be up to 1220m (4000ft) from the ADH10.

In noisy environments use twisted pair wiring as shown below:

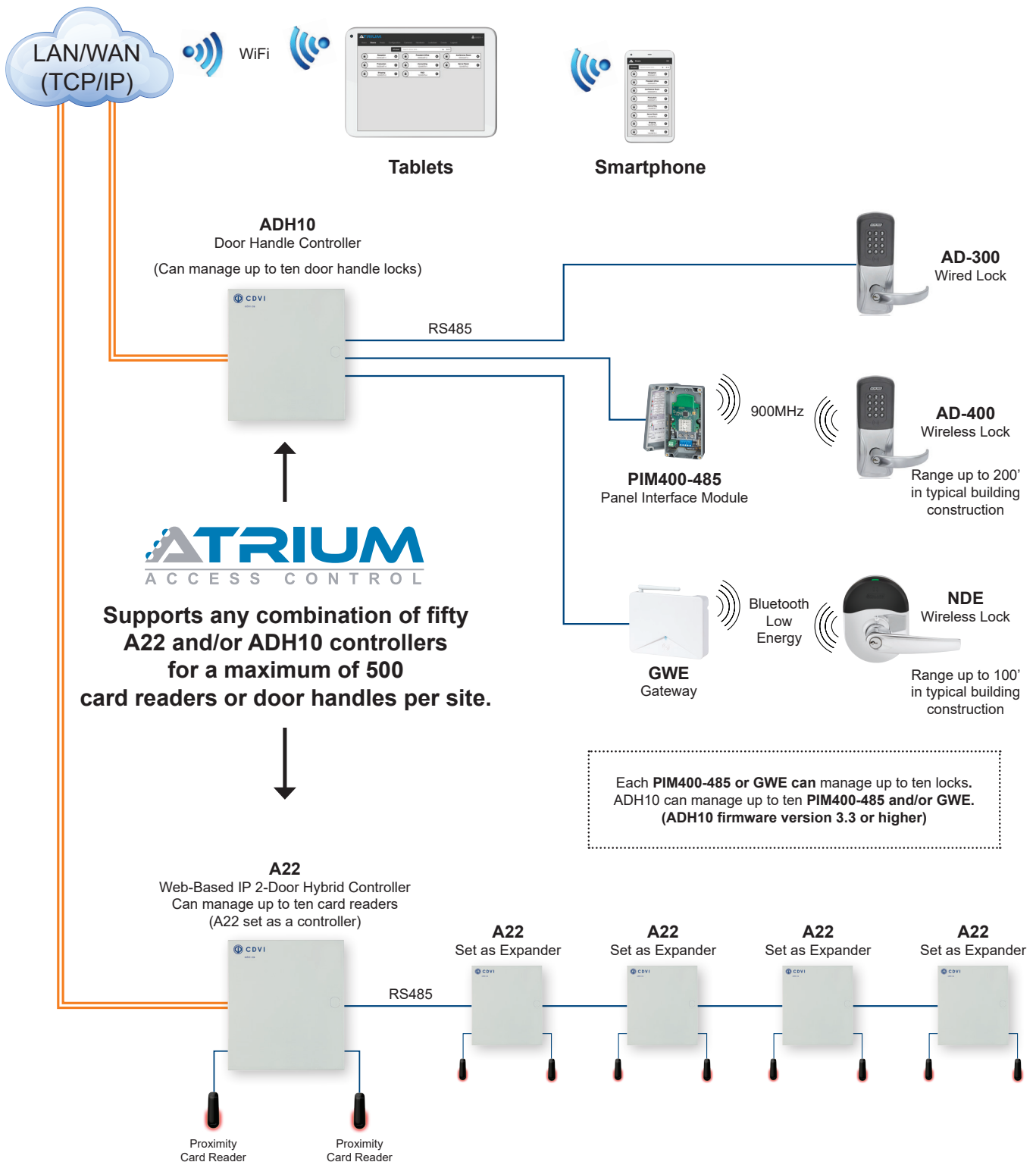


# ATRIUM ADH10

## Schlage Integration Module (Control up to 10 Schlage Door Handles)

### SYSTEM OVERVIEW

One ATRIUM ADH10 controller has the capacity to control ten AD300 and/or AD400 SCHLAGE door handles. ATRIUM ver. 3.1 (or higher) multi-account software supports up to 500 door handles per account (site). For increased flexibility, the system also supports proximity or magnetic stripe card readers. Combine AD300/400/NDE door handles and card readers on the same system as shown in the diagram below.



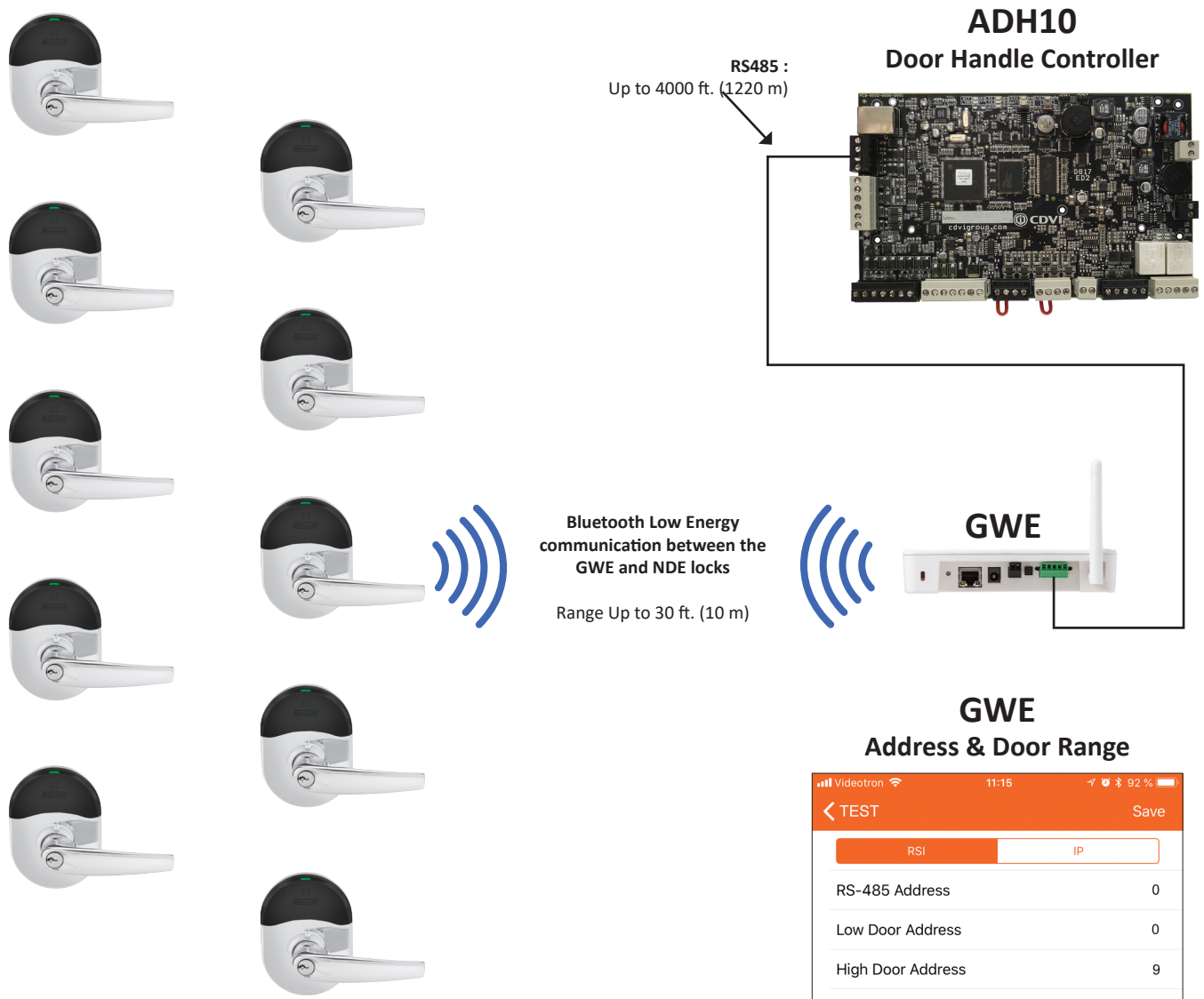
# ATRIUM ADH10

## Schlage Integration Module (Control up to 10 Schlage Door Handles)

### 6] PROGRAMMING

Refer to the ADH10 Schlage Integration Quick Guide, available on our Web site, to configure GWE and Schlage locks.

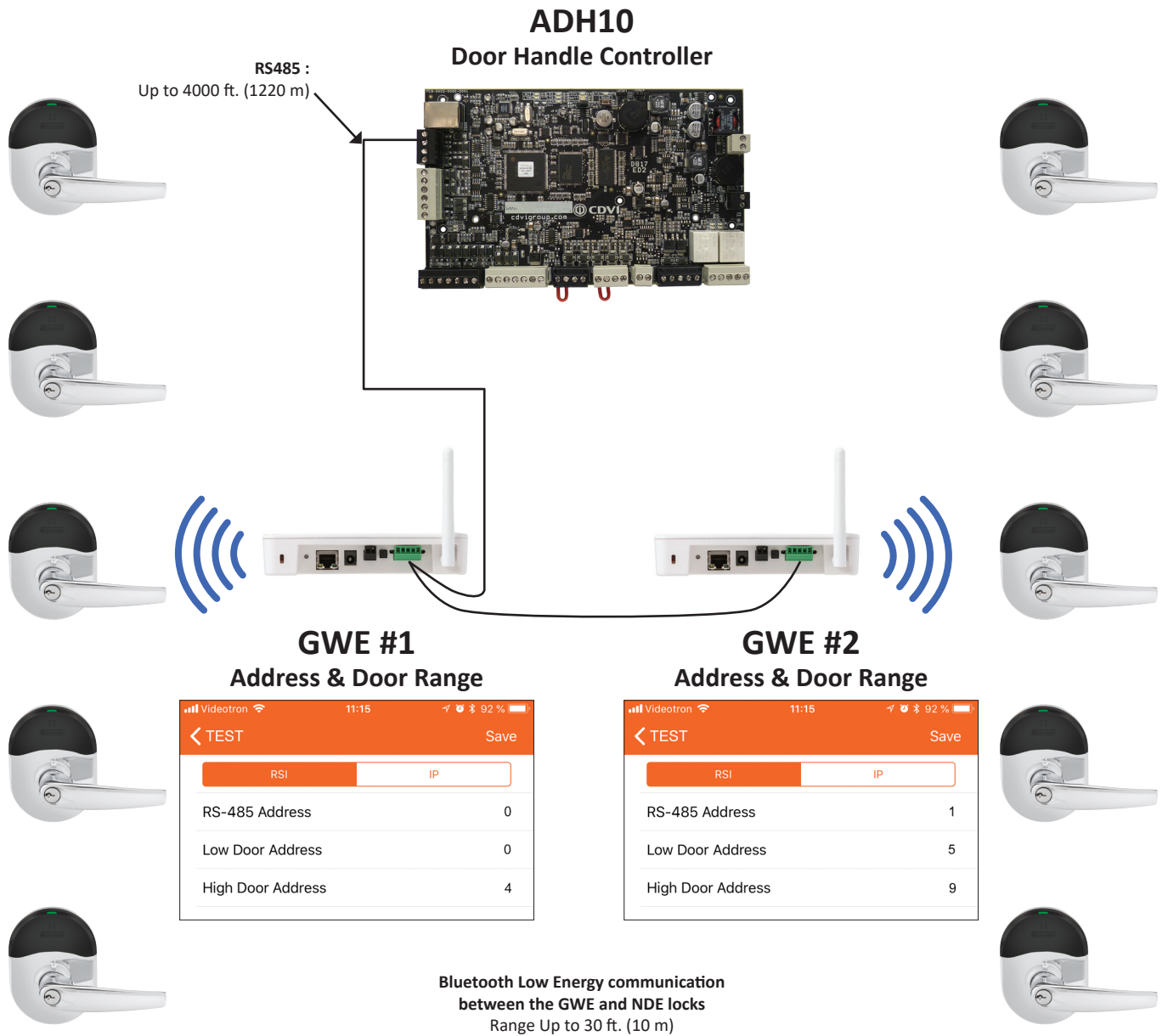
## Typical ADH10 & GWE wiring diagram (1 GWE managing 10 NDE wireless locks)



**ATRIUM ADH10**

Schlage Integration Module (Control up to 10 Schlage Door Handles)

**Typical ADH10 & GWE wiring diagram**  
(2 GWE managing 5 NDE wireless locks each)

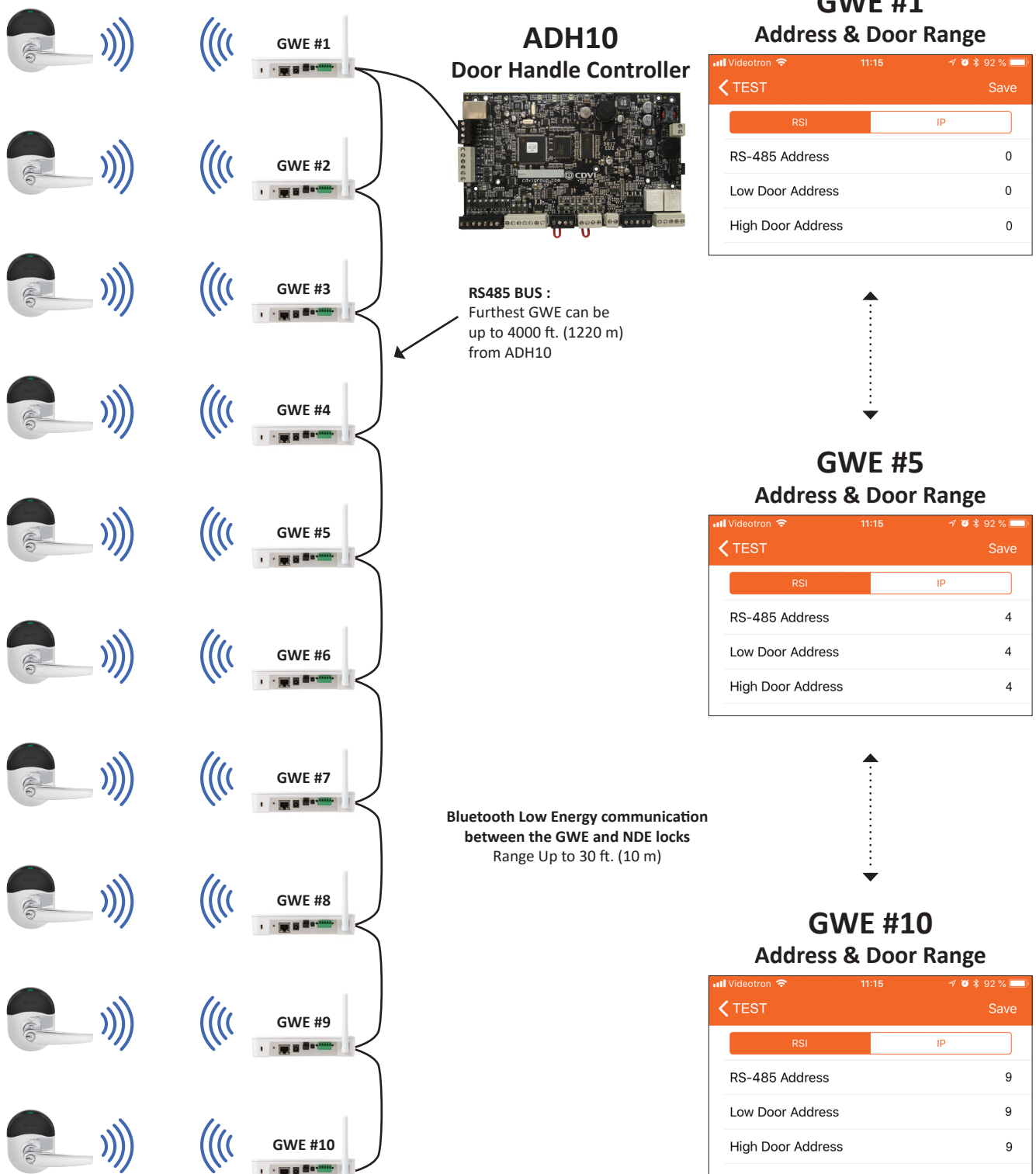




# ATRIUM ADH10

Schlage Integration Module (Control up to 10 Schlage Door Handles)

## Typical ADH10 & GWE wiring diagram (10 GWE managing 1 NDE wireless locks each)



## ATRIUM ADH10

### Schlage Integration Module (Control up to 10 Schlage Door Handles)

## 7] Warranty - Terms & Conditions

The "10 Year Warranty" is offered by CDVI exclusively for CDVI products featuring the logo "10 Year Warranty", and supplied by authorized CDVI dealers participating in the offer. You can obtain the address of the local authorized dealer participating in the offer by contacting CDVI or a local CDVI subsidiary. The "10 Year Warranty" is only applicable to hidden defects detected during the lifetime of the product, as defined by the CDVI Group (10 years or 400 000 operations - whichever of the two expires first).

The "10 Year Warranty" conditions shall not modify the sales conditions between CDVI and its customers.

### DURATION OF THE OFFER:

- This offer is valid from February 1st 2018; CDVI reserves the right to terminate this offer without prior notice.
- However, any product already registered up to the date of withdrawal of the offer will remain eligible for the "10 Year Warranty".
- The warranty applies only to the available products mentioned in the above statement.

### CONDITIONS :

- Hidden defects are guaranteed for an unlimited shelf life (period of time before use).
- The "10 Year Warranty" only applies to products installed by a skilled and experienced personal with the necessary trade qualifications to install according to the highest standards, respecting the standards, instructions and guidelines defined by CDVI and according to the maximum recommended specifications.
- To enable CDVI to determine whether a product is eligible to claim for the "10 Year Warranty", after prior issue of a return of materials authorization number (RMA) by CDVI, the customer must return the product and all of its accessories in the original packaging with a copy of its invoice. The transport fees shall be paid by the customer and the package must be returned to CDVI or to a CDVI authorized repair centre.
- Eligibility for the "10 Year Warranty" cover must be confirmed by CDVI.
- The "10 Year Warranty" only covers the replacement or repair of the parts acknowledged as faulty by CDVI.
- CDVI reserves the right to respect its obligation by replacing the product or the parts acknowledged as faulty by a standard part replacement or by a product or new parts, or by an updated or improved version of the product with identical or similar functionalities.
- In respect of the applicable law, CDVI cannot be held responsible for material or immaterial damages caused to goods or to third parties and as a direct or indirect result of the installation, utilization, product faults or poor functioning of a device.
- The "10 Year Warranty" is non-assignable and non-transferrable.
- The "10 Year Warranty" is limited to the eligible product and is strictly limited to the conditions in effect on the date of purchase by the customer.



**Reference :**  
**Extranet : EXE-CDVI\_IM ADH10 CMYK A4 EN 03**



**CDVI Group**

FRANCE (Headquarter/Siège social)  
Phone: +33 (0)1 48 91 01 02  
Fax: +33 (0)1 48 91 21 21

**CDVI**

FRANCE + EXPORT  
Phone: +33 (0)1 48 91 01 02  
Fax: +33 (0)1 48 91 21 21

**CDVI AMERICAS**

[CANADA - USA - LATIN AMERICA]  
Phone: +1 (450) 682 7945  
Fax: +1 (450) 682 9590

**CDVI**

BENELUX  
[BELGIUM - NETHERLAND - LUXEMBOURG]  
Phone: +32 (0) 56 73 93 00  
Fax: +32 (0) 56 73 93 05

**CDVI**

TAIWAN  
Phone: +886 (0)42471 2188  
Fax: +886 (0)42471 2131

**CDVI**

SUISSE  
Phone: +41 (0)21 882 18 41  
Fax: +41 (0)21 882 18 42

**CDVI**

CHINA  
Phone: +86 (0)10 62414516  
Fax: +86 (0)10 62414519

**CDVI**

IBÉRICA  
[SPAIN - PORTUGAL]  
Phone: +34 (0)935 390 966  
Fax: +34 (0)935 390 970

**CDVI**

ITALIA  
Phone: +39 0321 90 573  
Fax: +39 335 127 89 96

**CDVI**

MAROC  
Phone: +212 (0)5 22 48 09 40  
Fax: +212 (0)5 22 48 34 69

**CDVI**

SWEDEN  
[SWEDEN - DENMARK - NORWAY - FINLAND]  
Phone: +46 (0)31 760 19 30  
Fax: +46 (0)31 748 09 30

**CDVI**

UK  
[UNITED KINGDOM - IRELAND]  
Phone: +44 (0)1628 531300  
Fax: +44 (0)1628 531003

All the information contained within this document (pictures, drawing, features, specifications and dimensions) could be perceptibly different and can be changed without prior notice. Printed in Canada. June 2018

*The installer's choice*  
**cdvigroup.com**