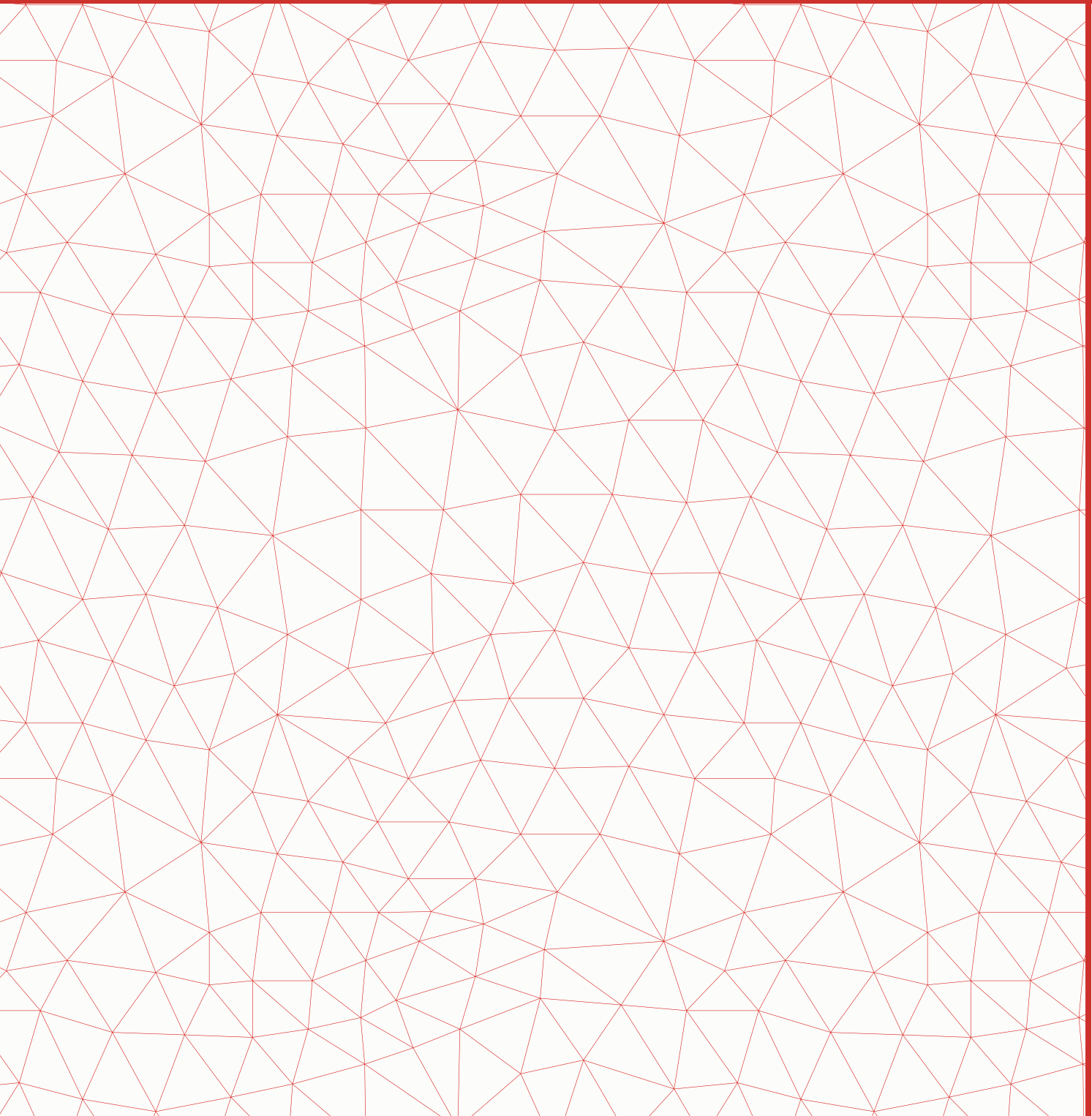




CATALOG





ELECTROMAGNETS

8000 SERIES 1

8100 SERIES 3

8400 SERIES 5

8500 SERIES 7

8600 SERIES 11

8700 SERIES 15

8900 SERIES 17

ACCESSORIES 18

GLASS DOOR ACCESSORIES 19

ELECTRIC STRIKES

1500 SERIES 20

1400 / 3400 SERIES 27

SOLENOIDS 36

1700 SERIES 37

1106 SERIES 39

2400 SERIES 40

EXIT DEVICES

9200 - 9700 SERIES 46

9800 SERIES 51

9500 SERIES 52

MISCELLANEOUS ACCESS CONTROL

MISC. ACCESS CONTROL 53

CONVERTERS / TRANSFORMERS 55

DOOR CORDS 57

TERMS & CONDITIONS

SHEAR LOCK

8031-002

ROFU's 8031-002 Shear Lock features 2200 LB holding force for enhanced security and SPDT relay output for remote monitoring. It is suitable for dual swinging doors, glass doors, in semi-surface and fully surface installation.

8031-002 features monitoring and bond sensor functions.



STANDARD FEATURES

- Door position sensor: dry reed contact and adjustable magnet
- Maximum gap (between magnet and armature plate): 1/8" or 3 mm
- Relock delay: 1~6 seconds, 3 seconds is default
- Fail-safe: releases instantly when power is disconnected with no residual magnetism
- Fail alarm: may be released upon activation of fire alarm
- Magnet and armature plate finish: zinc
Housing: black powder coating
- Designed for dual swinging doors, suitable for narrow frames and glass doors installation
- Can be installed horizontally or vertically

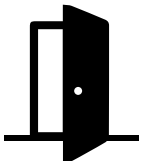
SPECIFICATION

HOLDING FORCE	2200 LB
VOLTAGE	12 to 24 VDC
CURRENT	Pull in: 1.85 A, Holding: 0.45 A/12 VDC Pull in: 1.1 A, Holding: 0.25 A/24 VDC
DIMENSIONS	Magnet: 10 1/2" x 1 3/8" x 1 5/16" Armature: 10 1/2" x 1 3/8" x 1 5/16"

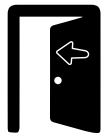
OPTIONAL BRACKETS

MODELS	DESCRIPTION
 21059	Surface Mount Housing (Each)

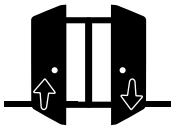
APPLICATIONS



OUTSWING

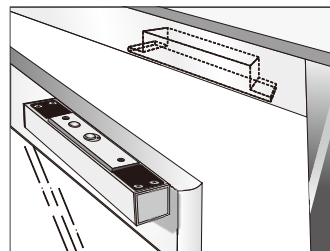


INSWING

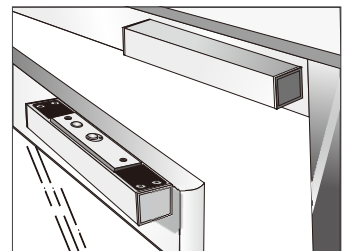


DOUBLESWING

Semi-Surface Installation



Surface Installation



SHEAR LOCK

8035 SERIES

ROFU's 8035 Mini Shear Locks are fail-safe, 12/24 VDC selectable magnetic locks. The magnetic shear locks are compact solutions, designed for dual swinging interior doors and can be installed in horizontal or vertical position.

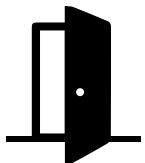
8035-002 features monitoring and bond sensor functions.



STANDARD FEATURES

- Dual voltage 12/24 VDC field selectable
- Maximum gap (between magnet and armature plate) : 2 mm
- Fail-safe: releases instantly when power is disconnected
- Fail alarm: may be released upon activation of fire alarm
- Magnetic bond sensor output: SPDT rated: 0.5 A/ 125 VAC ; 1 A/ 24 VDC (on 8035-002 model only)
- Magnet and armature finish: zinc plating
- Designed for dual swinging doors, suitable for narrow frames and glass doors installation
- Can be installed horizontally or vertically
- No residual magnetism

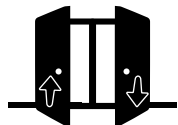
APPLICATIONS



OUTSWING



INSWING



DOUBLESWING

SPECIFICATION

HOLDING FORCE	1200 LB
VOLTAGE	12/24 VDC
CURRENT	420 mA/12 VDC , 210 mA/24 VDC
DIMENSIONS	Magnet: 7 1/16" x 1 3/16" x 1 1/16" Armature Plate: 7 1/16" x 1 3/16" x 1 11/16"

8035 SERIES MODELS

MODELS	DESCRIPTION
8035	Mini Shear Lock
8035-002	Mini Shear Lock, Monitored

OPTIONAL BRACKETS

MODELS	DESCRIPTION
<p>21036</p>	Surface Mount Housing (Pair)
<p>21037</p>	U-Bracket (Pair) for use with 21036
<p>21054</p>	Tamperproof Housings (Pair)

HANDLE MEGNETIC LOCKS

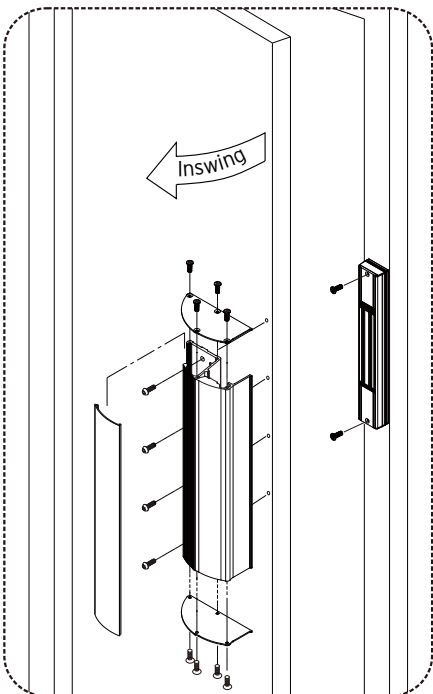
8106HD SERIES

The 8106HD Electromagnets feature a new design which encloses the armature plate in a door handle. Single and double magnets options are available, with a holding force of 600 LB per single magnet.

STANDARD FEATURES

- Stylish hidden magnet design - safe and secure
- Dual voltage 12/24 VDC field selectable
- Durable, high quality aluminum anodized finish
- Fail-safe: releases instantly when power is disconnected. No residual magnetism
- No residual magnetism
- For inswing doors only
- Bond sensor (B): built-in hall effect sensors, detecting magnetic field strength from door position and voltage input

APPLICATIONS



8106HD-B



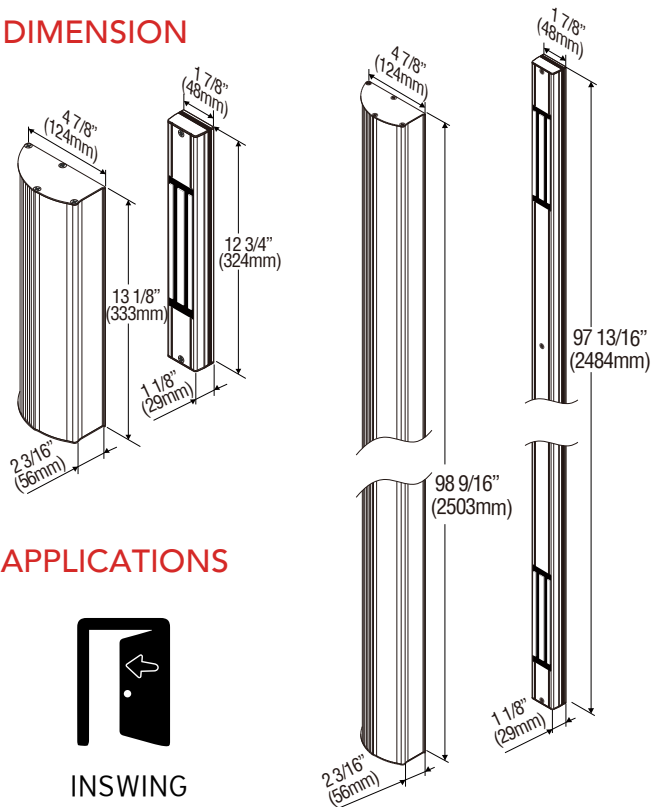
8106HD-2-B



SPECIFICATION

MODELS	8106HD-B	8106HD-2-B
HOLDING FORCE	600 LB	600 LB x2
VOLTAGE	12/24 VDC	
CURRENT	500 mA/12 VDC , 250 mA/24 VDC	
DIMENSIONS	8106HD-B Magnet: 12 3/4" x 1 1/8" x 1 7/8" Armature: 13 1/8" x 2 3/16" x 4 7/8" 8106HD-2-B Magnet: 97 13/16 x 1 1/8" x 1 7/8" Armature: 98 9/16" x 2 3/16" x 4 7/8"	

DIMENSION



APPLICATIONS



INSWING

FULL LENGTH MAGNETIC LOCKS

8112FF SERIES

8112FF Full Length Electromagnets are equipped with a base board and a security cover. Single magnet 8112FF-BD-RD is 45" in length for a horizontal configuration and the handings can easily be reversed. Double magnets 8112FF-2-BD-RD is 96" in length for a vertical configuration. Both models have a holding force of 1200 LB per single magnet.

STANDARD FEATURES

- Fail-safe: releases instantly when power is disconnected. No residual magnetism
- Fail alarm: may be released upon activation of the fire alarm
- Housing: satin aluminum
- Bond sensor (B): built-in hall effect sensors, detecting magnetic field strength from door position and voltage input
- Door status (D) function works in conjunction with the bond sensor
- Relock time delay (RD): Timer can be adjusted to relock after 1~80 seconds
- LED: Bi-colored red/green



8112FF-2-BD-RD

8112FF-BD-RD

APPLICATIONS

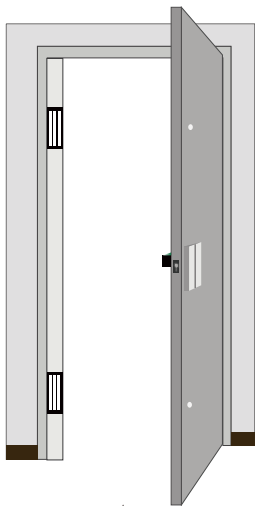


INSWING

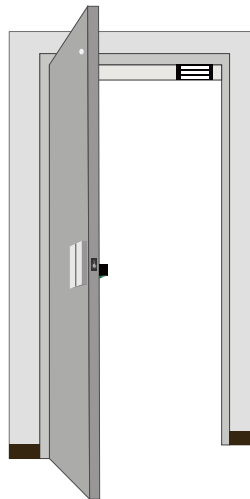
SPECIFICATION

MODELS	8112FF-BD-RD	8112FF-2-BD-RD
HOLDING FORCE	1200 LB	1200 LB x2
VOLTAGE	12/24 VDC	
CURRENT	500 mA/12 VDC , 250 mA/24 VDC	
DIMENSIONS	8112FF-BD-RD 45" x 1 9/16" x 3 5/16" 8112FF-2-BD-RD 96" x 1 9/16" x 3 5/16"	

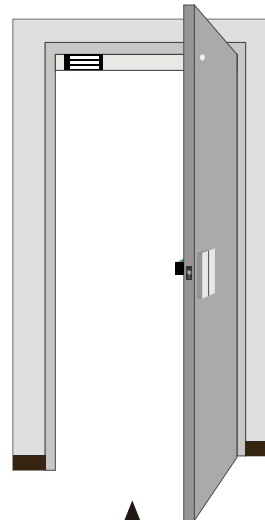
APPLICATIONS



Single Door Vertical Configuration



Single Door Horizontal Configuration (Right Hand Reverse)



Single Door Horizontal Configuration (Left Hand Reverse)

ELECTROMAGNETS

ELECTRIC STRIKES

EXIT DEVICES

MISC. ACCESS CONTROL

ELECTROMAGNETS

8406M

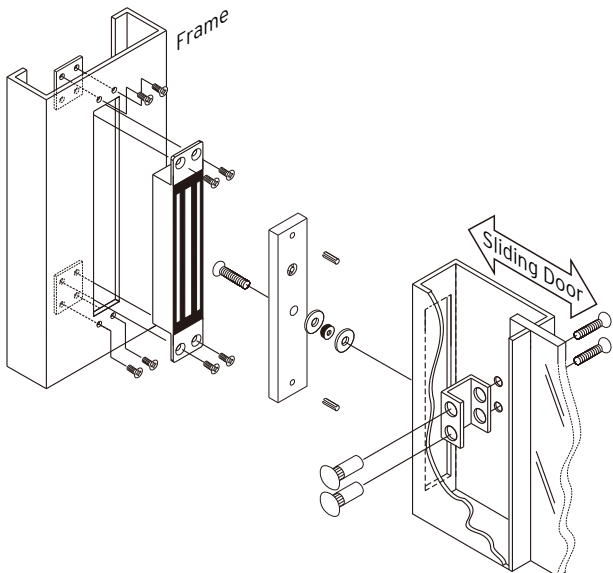
8406M Mini Sliding Door Electromagnet is a compact mortise maglock made with steel housing and is a durable option for high frequency use.

8406M is ideal for securing sliding or swinging, manual or automatic doors.

STANDARD FEATURES

- Easy installation: versatile mounting brackets included for new and existing installation
- Magnet designed to mortise into the jamb
- Armature plate mortises into the edge of sliding door
- Fail-safe: releases instantly when power is disconnected
- Fail alarm: may be released upon activation of fire alarm
- No residual magnetism


APPLICATIONS



SPECIFICATION

HOLDING FORCE	600 LB
VOLTAGE	12/24 VDC
CURRENT	500 mA/12 VDC , 250 mA/24 VDC
DIMENSIONS	Magnet: 7 1/2" x 1 1/2" x 1 1/8" (9 1/16" x 1 1/2" x 1 1/8") Armature: 7 1/4" x 1 1/2" x 1/2"

OPTIONAL BRACKETS

MODELS	DESCRIPTION
 20925	Armature Mounting Bracket for Wood Jambs

ELECTROMAGNETS

8403 SERIES



8403S-12



8403M-12



8403F-12

ROFU 8403 Micro Electromagnets are designed for compact applications such as small cabinets, drawers, lockers and safes.

8403M-12 is designed for mortise installation on sliding doors.

8403F-12 is for front or top mount installation.

8403S-12 is supplied with a mounting plate and is for standard surface mount installation.


STANDARD FEATURES

- Fail-safe: releases instantly when power is disconnected
- No residual magnetism
- Weather resistant cable connection
- This model is not recommended for life safety or high security applications
- Housing: attractive, heavy duty nickel plated steel

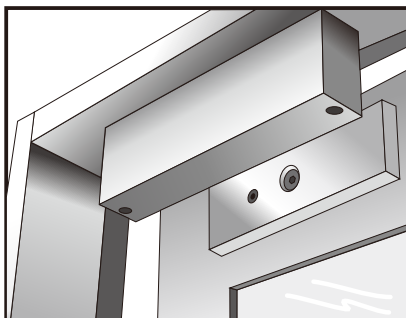
SPECIFICATION

HOLDING FORCE	300 LB
VOLTAGE	12 VDC
CURRENT	300 mA/12 VDC
DIMENSIONS	8403S-12 Magnet: 6 11/16" x 11/4" x 15/16" Armature Plate: 6" x 11/4" x 3/8"
	8403M-12 Magnet: 7 7/8" x 11/4" x 15/16" Armature Plate: 6" x 11/4" x 3/8"
	8403F-12 Magnet: 6 11/16" x 11/4" x 15/16" Armature Plate: 6" x 11/4" x 3/8"

OPTIONAL BRACKETS

MODELS	DESCRIPTION
 20918	Mounting Plate for 8403S-12

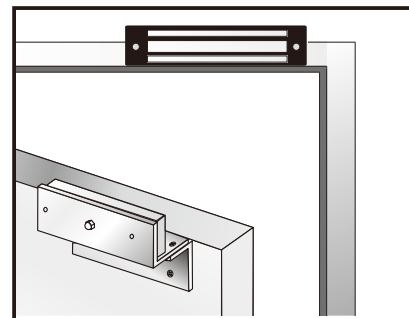
APPLICATIONS



8403S-12



8403M-12



8403F-12

ELECTROMAGNETS

ELECTRIC STRIKES

EXIT DEVICES

MISC. ACCESS CONTROL

ELECTROMAGNETS

8500 SERIES

The 8500 Series Electromagnets replace 8011 Series while offering the same functionality.

All of the magnets in the range are 12/24 VDC selectable, fail-safe, suitable for indoor use, featuring anti-residual magnetism design and keyhole mounting for ease of installation.

STANDARD FEATURES

- Easy installation with keyhole mounting "slides left to right"
- Mounting hardware included to mount the maglock and the armature plate for out-swinging door
- No residual magnetism
- Fail alarm: may be released upon activation of fire alarm
- Housing: attractive, heavy duty anodized extruded aluminum housing, no need for a cover
- Mounting hardware included with each unit, for out-swinging doors
- Optional brackets for in-swinging doors and special installations (see Accessories)
- Dual voltage 12/24 VDC field selectable
- Fail-safe: releases instantly when power is disconnected. No residual magnetism



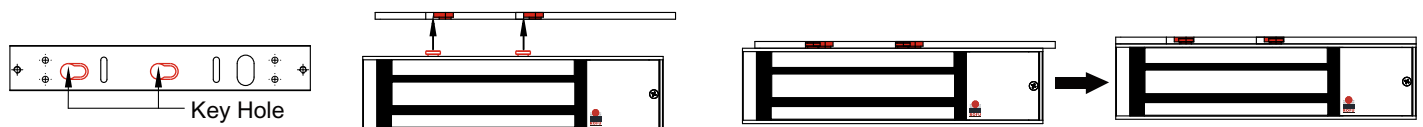
SPECIFICATION

HOLDING FORCE	1200 LB
VOLTAGE	12/24 VDC
CURRENT	500 mA/12 VDC , 250 mA/24 VDC
DIMENSIONS	Magnet: 10 1/2" x 1 9/16" x 2 11/16" Armature Plate: 7 1/4" x 5/8" x 2 3/8"

8500 SERIES MODELS

MODELS	DESCRIPTION
8512-LC	Standard Single Magnet
8512-LC US40	Standard Single Magnet (US40)
8512-B	Standard Single Magnet, Bond Sensor
8512-2-B	Standard Double Magnet, Bond Sensor
8512-2-B-US40	Standard Double Magnet, Bond Sensor (US40)
8512-20993	Oklahoma Special with Specifically Designed PC Board
8512-DE	Standard Single Magnet, Delayed Egress

ATTACHING MAGNET TO MOUNTING PLATE



1. Align the two slotted holes and attach the magnet to the mounting plate.

2. Slide the magnet onto the mounting plate.
 → Keyhole Mounting "slides Left to Right"

ELECTROMAGNETS

8512 SERIES

STANDARD FEATURES

- Easy installation with keyhole mounting "slides left to right"
- Dual voltage 12/24 VDC field selectable
- Built-in MOV spike and surge protection
- No residual magnetism
- Fail alarm: may be released upon activation of fire alarm
- Housing: attractive, heavy duty anodized extruded aluminum housing

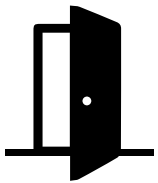


8512-LC

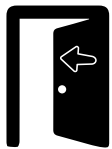


8512-LC US40

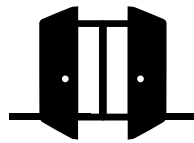
APPLICATIONS



OUTSWING



INSWING



DOUBLE DOOR

SPECIFICATION

MODELS	HOLDING FORCE	STANDARD FEATURE	CURRENT DRAW	DIMENSIONS
8512-LC 8512-LC US40	1200 LB	Standard, US40	500 mA/12 VDC 250 mA/24 VDC	Magnet: 10 1/2" x 1 9/16" x 2 11/16" Armature Plate: 7 1/4" x 5/8" x 2 3/8"
8512-B	1200 LB	Bond sensor	500 mA/12 VDC 250 mA/24 VDC	Magnet: 10 1/2" x 1 9/16" x 2 11/16" Armature Plate: 7 1/4" x 5/8" x 2 3/8"
8512-2-B 8512-2-B US40	1200 LB x2	Bond sensor	500 mA/12 VDC 250 mA/24 VDC	Magnet: 21" x 1 9/16" x 2 11/16" Armature Plate: 7 1/4" x 5/8" x 2 3/8" x2

OPTIONAL BRACKETS

Optional brackets compatible with 8512 Models

MODELS	DESCRIPTION
21031 21031 US40	Z-Brackets for 8512 Models (Optional: US40)
21033 21033 US40	Z-Brackets for 8512-2-B (Optional: US40)



Z-Bracket Sets
21031

ELECTROMAGNETS

ELECTRIC STRIKES

EXIT DEVICES

MISC. ACCESS CONTROL

ELECTROMAGNETS

8512-20993

8512-20993 OKLAHOMA SPECIAL

- Easy installation with keyhole mounting "slides left to right"
- Dual voltage 12/24 VDC field selectable
- Built-in MOV spike and surge protection
- No residual magnetism
- Specially designed terminal block to withstand electrical storms
- Housing: attractive, heavy duty anodized extruded aluminum housing

Model 8512-20993, this is known as an "Oklahoma Special"

A terminal block is specifically designed to ensure the magnet withstand the electrical storms that are common in the Oklahoma region. This magnet has become a standard install in most commercial buildings, casinos and facilities in the state of Oklahoma, not only for the ease of installation, but the wiring with the terminal block and the proven durability and reliability of this model to stand up to the harsh electrical storms in the area.



SPECIFICATION

MODELS	HOLDING FORCE	STANDARD FEATURE	CURRENT DRAW	DIMENSIONS
8512-20993	1200 LB	Standard	500 mA/12 VDC 250 mA/24 VDC	Magnet: 10 1/2" x 19 1/16" x 2 11/16" Armature Plate: 7 1/4" x 5/8" x 2 3/8"

OPTIONAL ACCESSORIES & BRACKETS

Optional brackets & accessories compatible with 8512 Series Electromagets.

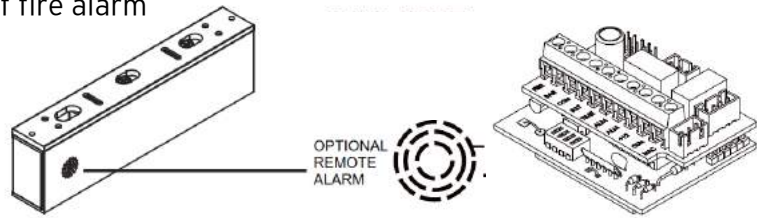
MODELS	DESCRIPTION	MODELS	DESCRIPTION
20930	1/4" Spacer / Replacement Mounting Plate (For 8512 Models) 20931 for US40 Finish	20932	1/4" Spacer / Replacement Mounting Plate (For 8512-2-B Models) 20933 for US40 Finish
20931		20933	
20936		Stainless Steel Mounting Plate	
20934	1/2" Spacer (For 8512 Models)	21031 21031 US40	Z-Brackets for 8512 Models (Optional: US40)
		21033 21033 US40	Z-Brackets for 8512-2-B (Optional: US40)
20915	Split Armature Plate (Pair)		

ELECTROMAGNETS

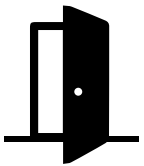
8512-DE

STANDARD FEATURES

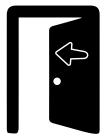
- Easy installation with keyhole mounting "slides left to right"
- Dual voltage 12/24 VDC field selectable
- Selectable delayed egress cycles: 15 or 30 seconds
- Selectable nuisance delay egress: 0~3 seconds
- Fail alarm: may be released upon activation of fire alarm
- Bond sensor feature for remote monitoring
- Optional remote alarm
- Fail-safe: releases instantly when power is disconnected. No residual magnetism



APPLICATIONS



OUTSWING



INSWING

SPECIFICATION

MODELS	HOLDING FORCE	STANDARD FEATURE	CURRENT DRAW	DIMENSIONS
8512-DE	1200 LB	Delay Degress	500 mA/12 VDC 250 mA/24 VDC	Magnet: 10 1/2" x 1 9/16" x 2 11/16" Armature Plate: 7 1/4" x 5/8" x 2 3/8"

RECOMMENDED ACCESSORIES

MODELS	DESCRIPTION	MODELS	DESCRIPTION
9500X36	Micro-Switch Bar US28	10318	16" Door Cord, 5/16" Inside diameter
SIGN-DE 15SEC	Delayed Egress Sign	10320HD US28	Heavy Duty Stainless Steel Door Cord

ELECTROMAGNETS

ELECTRIC STRIKES

EXIT DEVICES

MISC. ACCESS CONTROL

ELECTROMAGNETS

8600 SERIES

The 8600 Series Electromagnets feature a patented design for a safer installation and are UL listed, fire rated for up to 3/4 hours and are suitable for swinging type fire doors.

All in the range are 12/24 VDC selectable, fail-safe, suitable for indoor use with anti-residual magnetism design. The range also offers optional bond sensor and door status features.

STANDARD FEATURES

- Slide-in mounting plate design for easy and secure installation
- Dual voltage 12/24 VDC field selectable
- Built-in MOV spike and surge protection
- No residual magnetism
- Fail-safe: releases instantly when power is disconnected. No residual magnetism
- Aluminum alloy casing
- UL Listed for auxiliary locks under file GWXT.R16728

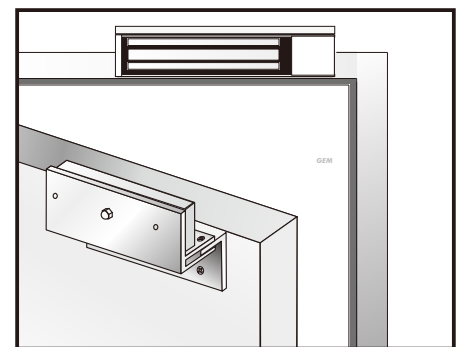
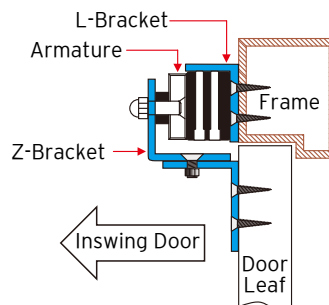
OPTIONAL Z-BRACKETS

- Optional brackets for in-swinging doors and special installations (see Accessories)

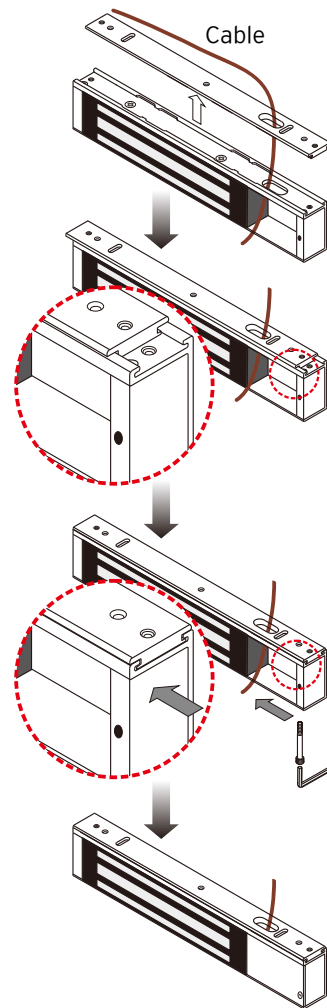


Z-Bracket Sets
(21030N, 21031N & 21038N)

Installation of Z-Brackets



SPECIAL MOUNTING PLATE DESIGN



Pass the power cable through the mounting plate and the hole of the maglock.

Place the mounting plate above the maglock. Leave a length of 1 cm from either end of the maglock.

Slide the mounting plate into the maglocks. Fit the maglock from the bottom to the mounting plate.

Use the Allen wrench and fixing screws to tighten the mounting plate and maglock.

ELECTROMAGNETS

8606 SERIES



STANDARD FEATURES

- Slide-in mounting plate design for easy and secure installation
- Dual voltage 12/24 VDC field selectable
- Built-in MOV spike and surge protection
- No residual magnetism
- Aluminum alloy casing
- Bond sensor & door status monitoring
- UL Listed for auxiliary locks under file GWXT.R16728

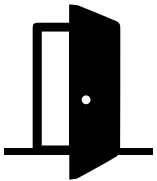


8606-BD

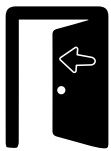


8606-2-BD

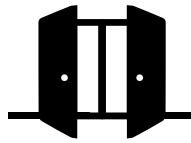
APPLICATIONS



OUTSWING



INSWING




DOUBLE DOOR

SPECIFICATION

MODELS	HOLDING FORCE	STANDARD FEATURE	CURRENT DRAW	DIMENSIONS
8606-BD	600 LB	Bond sensor & Door status	500 mA/12 VDC 250 mA/24 VDC	Magnet: 9 13/16" x 1" x 1 13/16" Armature Plate: 7 1/4" x 1/2" x 1 1/2"
8606-BD US40	600 LB	Bond sensor & Door status	500 mA/12 VDC 250 mA/24 VDC	Magnet: 9 13/16" x 1" x 1 13/16" Armature Plate: 7 1/4" x 1/2" x 1 1/2"
8606-2-BD	600 LB x2	Bond sensor & Door status	500 mA/12 VDC 250 mA/24 VDC	Magnet: 19 11/16" x 1" x 1 13/16" Armature Plate: 7 1/4" x 1/2" x 1 1/2" x2
8606-2-BD US40	600 LB x2	Bond sensor & Door status	500 mA/12 VDC 250 mA/24 VDC	Magnet: 19 11/16" x 1" x 1 13/16" Armature Plate: 7 1/4" x 1/2" x 1 1/2" x2

OPTIONAL BRACKETS

Optional brackets & accessories compatible with 8606 Series Electromagnets

MODELS	DESCRIPTION	MODELS	DESCRIPTION
 20921	1/2" Spacer (For 8606-BD)	21030N	Z-Brackets (For 8606-BD)
		21032N	Z-Brackets (For 8606-2-BD)

ELECTROMAGNETS

ELECTRIC STRIKES

EXIT DEVICES

MISC. ACCESS CONTROL



ELECTROMAGNETS

8608 SERIES

STANDARD FEATURES

- Slide-in mounting plate design for easy and secure installation
- Dual voltage 12/24 VDC field selectable
- Built-in MOV spike and surge protection
- No residual magnetism
- Aluminum alloy casing
- Bond sensor output for remote monitoring
- UL Listed for auxiliary locks under file GWXT.R16728

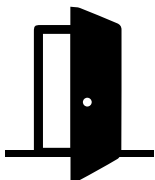


8608-BD

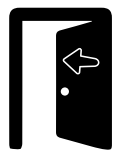


8608-2

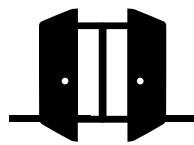
APPLICATIONS



OUTSWING



INSWING



DOUBLE DOOR

SPECIFICATION

MODELS	HOLDING FORCE	OPTIONAL FEATURES	CURRENT DRAW	DIMENSIONS
8608	800 LB	BD	500 mA/12 VDC 250 mA/24 VDC	Magnet: 10 7/16" x 1 1/8" x 2 1/16" Armature Plate: 7 1/4" x 9/16" x 1 3/4"
8608-2	800 LB x2	B, BD	500 mA/12 VDC 250 mA/24 VDC	Magnet: 20 7/8" x 1 1/8" x 2 1/16" Armature Plate: 7 1/4" x 9/16" x 1 3/4" x2

NOTES:

B: Bond Sensor; BD: Bond Sensor & Door Status

OPTIONAL BRACKETS

Optional brackets & accessories compatible with 8608 Series Electromagnets

MODELS	DESCRIPTION
21038N	Z-Brackets (For 8608-BD)

ELECTROMAGNETS

8612 SERIES

STANDARD FEATURES

- Slide-in mounting plate design for easy and secure installation
- Dual voltage 12/24 VDC field selectable
- Built-in MOV spike and surge protection
- No residual magnetism
- Aluminum alloy casing
- UL Listed for auxiliary locks under file GWXT.R16728

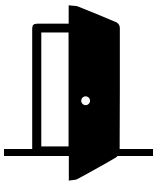


8612



8612-2

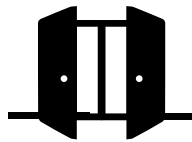
APPLICATIONS



OUTSWING



INSWING



DOUBLE DOOR

SPECIFICATION

MODELS	HOLDING FORCE	OPTIONAL FEATURES	CURRENT DRAW	DIMENSIONS
8612	1200 LB	LC, LC US40	500 mA/12 VDC 250 mA/24 VDC	Magnet: 10 1/2" x 1 9/16" x 2 13/16" Armature Plate: 7 1/4" x 5/8" x 2 3/8"
8612-B	1200 LB	B	500 mA/12 VDC 250 mA/24 VDC	Magnet: 10 1/2" x 1 9/16" x 2 13/16" Armature Plate: 7 1/4" x 5/8" x 2 3/8"
8612-BD	1200 LB	BD, BD US40	500 mA/12 VDC 250 mA/24 VDC	Magnet: 10 1/2" x 1 9/16" x 2 13/16" Armature Plate: 7 1/4" x 5/8" x 2 3/8"
8612-2-B	1200 LB x2	B	500 mA/12 VDC 250 mA/24 VDC	Magnet: 21" x 1 9/16" x 2 13/16" Armature Plate: 7 1/4" x 5/8" x 2 3/8" x2
8612-2-BD	1200 LB x2	BD, BD US40	500 mA/12 VDC 250 mA/24 VDC	Magnet: 21" x 1 9/16" x 2 13/16" Armature Plate: 7 1/4" x 5/8" x 2 3/8" x2

NOTES:

LC: Standard Single Magnet; B: Bond Sensor; BD: Bond Sensor & Door Status

OPTIONAL BRACKETS

Optional brackets & accessories compatible with 8612 Series Electromagnets.

MODELS	DESCRIPTION	MODELS	DESCRIPTION
20915	Split Armature Plate (Pair) (For 8612-LC)	21031N 21031N US40	Z-Brackets (For 8612 Models)
20934	1/2" Spacer (For 8612 Models)	21033N 21033N US40	Z-Brackets (For 8612-2-B/BD)

ELECTROMAGNETS

ELECTRIC STRIKES

EXIT DEVICES

MISC. ACCESS CONTROL

ELECTROMAGNETIC GATE LOCKS

8706FT Models

8700 Series Gate Locks with Conduit Fitting (formerly known as 8040 Models) are fail-safe with dual-mounting functions. The gate locks are suitable for indoor and outdoor applications. 8706FT is a standard model while 8706FT-B features remote monitoring function.

Optional L-brackets are available for sliding gates and outswing doors installations.

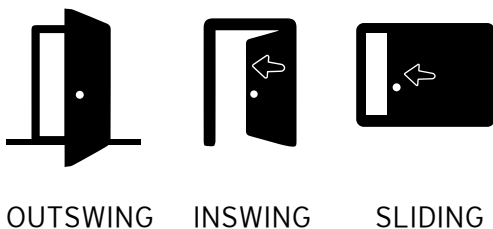
STANDARD FEATURES

- Weatherproof, stainless steel housing, suitable for indoor and outdoor application
- Both face and surface mount, suitable for a range of sliding and swinging electric gates.
- Dual voltage 12/24 VDC selectable
- Dual-threaded conduit fitting
- Fail-safe: releases instantly when power is disconnected, no residual magnetism
- Conforms in accordance with Standard UL 10B, UL 10C, listed under file GWXT.R16728
- Fire rating: up to and including 1-1/2 hours
- Built-in MOV spike and surge protection

OPTIONAL BRACKETS



APPLICATIONS



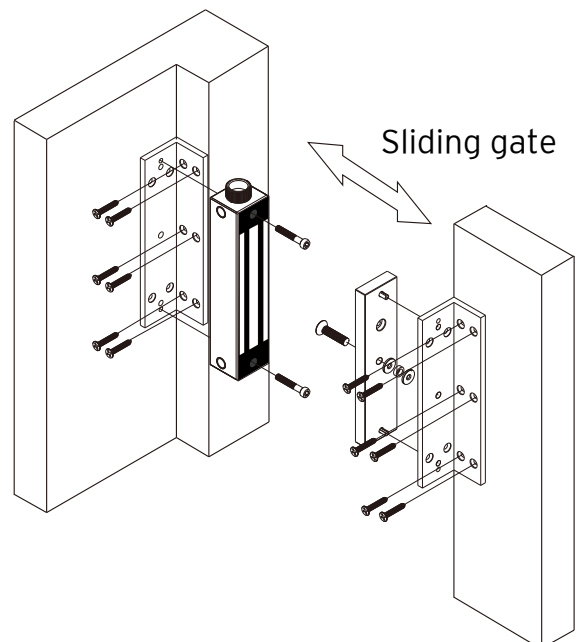
SPECIFICATION

HOLDING FORCE	600 LB
VOLTAGE	12/24 VDC
CURRENT	500 mA/12 VDC 250 mA/24 VDC
DIMENSIONS	Magnet: 8" x 1 11/16" x 1 9/16" Armature: 7 1/4" x 1 3/4" x 9/16"

8706 SERIES MODELS

MODELS	
8706FT	Standard 600 LB Gate Magnetic Lock
8706FT-B	Monitored 600 LB Gate Magnetic Lock
21034F	L-Brackets for Front Mount Installation
21034S	L-Bracket for Surface Mount Installation

SLIDING GATE INSTALLATION



ELECTROMAGNETIC GATE LOCKS

8712FT Models

8700 Series Gate Locks with Conduit Fitting (formerly known as 8040 Models) are fail-safe with dual-mounting functions. The gate locks are suitable for indoor and outdoor applications. 8712FT is a standard model while 8712FT-B features remote monitoring function.

Optional L-brackets are available for sliding gate and outswing doors installations.

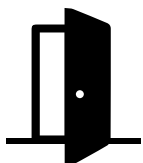
STANDARD FEATURES

- Weatherproof, stainless steel housing, suitable for indoor and outdoor application
- Both face and surface mount, suitable for a range of sliding and swinging electric gates.
- Dual voltage 12/24 VDC selectable
- Dual-threaded conduit fitting
- Fail-safe: releases instantly when power is disconnected, no residual magnetism
- Conforms in accordance with Standard UL 10B, UL 10C, listed under file GWXT.R16728
- Fire rating: up to and including 1-1/2 hours
- Built-in MOV spike and surge protection

OPTIONAL BRACKETS



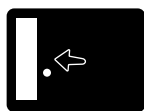
APPLICATIONS



OUTSWING



INSWING



SLIDING



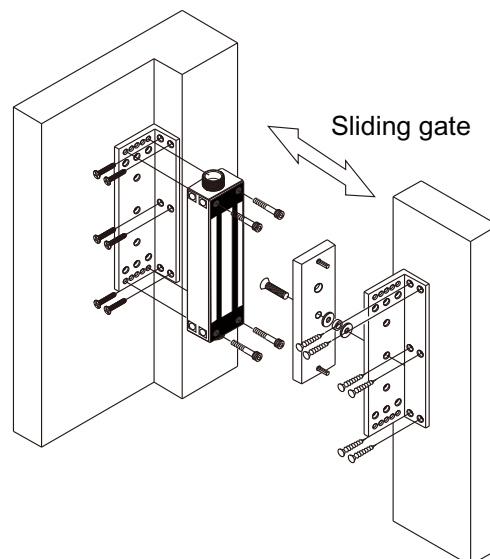
SPECIFICATION

HOLDING FORCE	1200 LB
VOLTAGE	12/24 VDC
CURRENT	500 mA/12 VDC 250 mA/24 VDC
DIMENSIONS	Magnet: 8 11/16" x 2 7/16" x 1 9/16" Armature: 7 1/4" x 2 3/8" x 5/8"

8712 SERIES MODELS

MODELS	DESCRIPTION
8712FT	Standard 1200 LB Gate Magnetic Lock
8712FT-B	Monitored 1200 LB Gate Magnetic Lock
21035FS	L-Brackets for Front & Surface Mount

SLIDING GATE INSTALLATION



MAGNETIC DOOR HOLDERS

8900 SERIES

FOR USE ON SELF-CLOSING FIRE AND/OR SMOKE BARRIER DOORS



8900
Flush Mount
Stainless Steel Plate



8910
Wall Mount
Stainless Steel Box



8920
Floor Mount
Cast Iron Housing
with Reset Button

STANDARD FEATURES

- Fail-safe: releases instantly when power is disconnected. No residual magnetism
- Available in 12 VAC/VDC or 24 VAC/VDC
- Holding force: 80 LB
- Fail alarm: will release upon activation of fire alarm
- Current draw: 120 mA at 12 VDC
60 mA at 24 VDC
- Adjustable swivel armature for ease of alignment
- Limited warranty: 36 Months

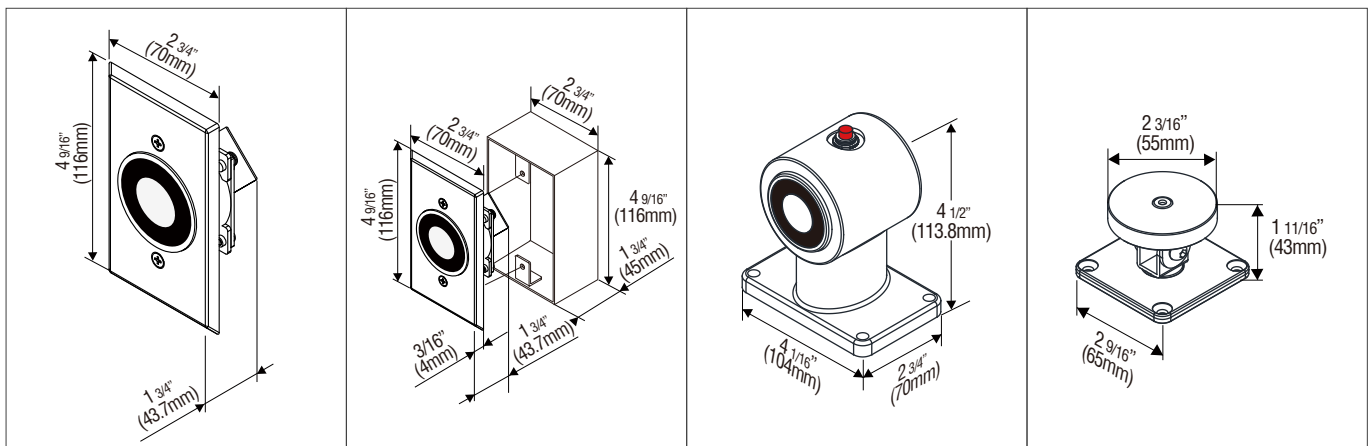
SPECIFICATIONS / OPTIONS

- Specify Voltage: 12 VAC/VDC or 24 VAC/VDC
- Optional 3 spacers for armature plate, 1/2" thick each (**8999**)

OPTIONAL ACCESSORIES

MODELS	DESCRIPTION
<p>8999</p>	Spacer Kit 3 Spacers for Armature Plate, 1/2" Thick Each
<p>20916</p>	Replacement Armature Plate/ Oversized Swivel

SPECIFICATION DETAILS



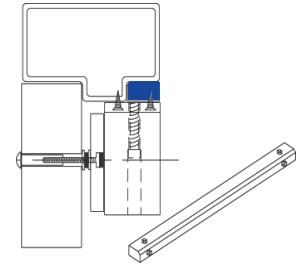
FILLER PLATES

SPECIFICATION

MODELS	21000	21001	21004	21004
DIMENSION	1/2" x 3/4"		5/8" x 3/4"	
FINISH	US40	US28	US40	US28
FOR MODEL	8512/8612 MODELS			



21000 & 21001



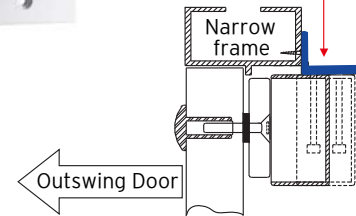
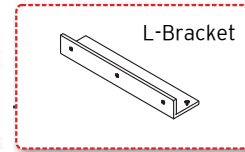
ANGLE BRACKETS

SPECIFICATION

MODELS	21020	21021
DIMENSION	1" x 1 1/2" x 5/16"	
FINISH	US40	US28
FOR MODEL	8512/8612 MODELS	



21020 & 21021



ARMATURE PLATES & HOUSINGS

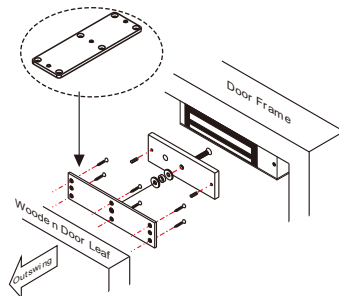
MODELS	DESCRIPTION
20915	Split Armature Plate Kit (Pair) (For 8512/8612 (LC Only))
21050	Armature Mounting Bracket (For 8512/8612 Models)
21070 & 21071 (US40)	Armature Housing (For 8606-BD)
21080 & 21081 (US40)	Armature Housing (For 8512/8612 (LC Only))



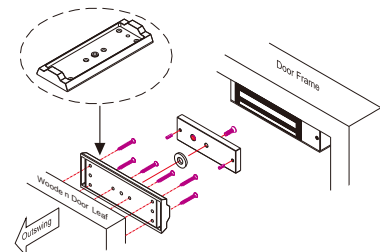
20915



21050



21070 & 21080



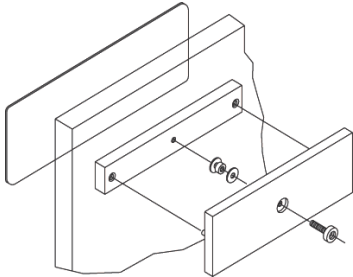
ELECTROMAGNETS

ELECTRIC STRIKES

EXIT DEVICES

MISC. ACCESS CONTROL

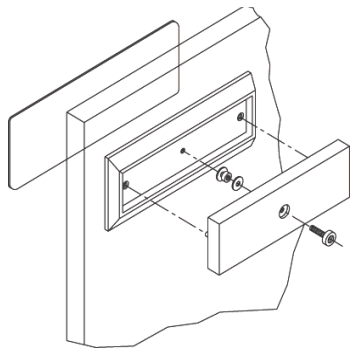
Brackets for Glass Doors



- Mounting bracket 1" x 7" x 1/2"
- Aluminum plate 8 5/8" x 3 3/8" x 1/8"
- Hardware pack

MODELS	DESCRIPTION
21055	Armature Mounting Bracket (For 8606/8512/8612)
21056	Armature Mounting Bracket in US40 (For 8606/8512/8612)

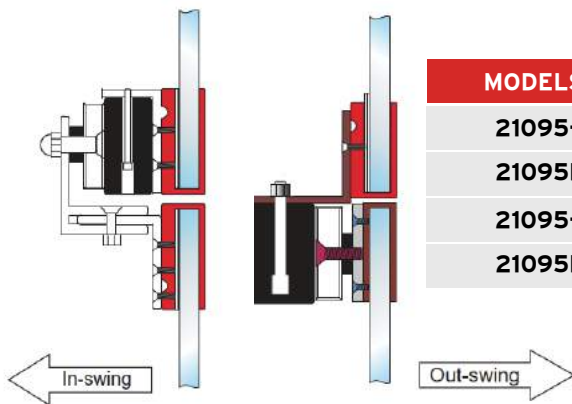
Housings for Glass Doors



- Aluminium mounting bracket
- Aluminum plate 8 5/8" x 3 3/8" x 1/8"
- Hardware pack

MODELS	DESCRIPTION
21047	Armature Housing (For 8606-BD)
21048	Armature Housing in US40 (For 8606-BD)
21057	Armature Housing (For 8512/8612)
21058	Armature Housing in US40 (For 8512/8612)

Brackets for Full Frame Glass Doors



MODELS	DESCRIPTION
21095-In	2 U-Bracket & Z-Bracket (For 8005 US40)
21095N-In	2 U-Bracket & Z-Bracket (For 8606-BD)
21095-Out	2 U-Bracket & L-Bracket (For 8005 US40)
21095N-Out	2 U-Bracket & L-Bracket (For 8606-BD)

Other Glass Doors Accessories



MODELS	DESCRIPTION
21076	U-Bracket for Armature Plate (For 8606-BD)
21077	U-Bracket for Armature Plate (For 8512/8612 Models)
21990	Glue Kit for Glass Door Installation

MODEL 1501

STANDARD FEATURES

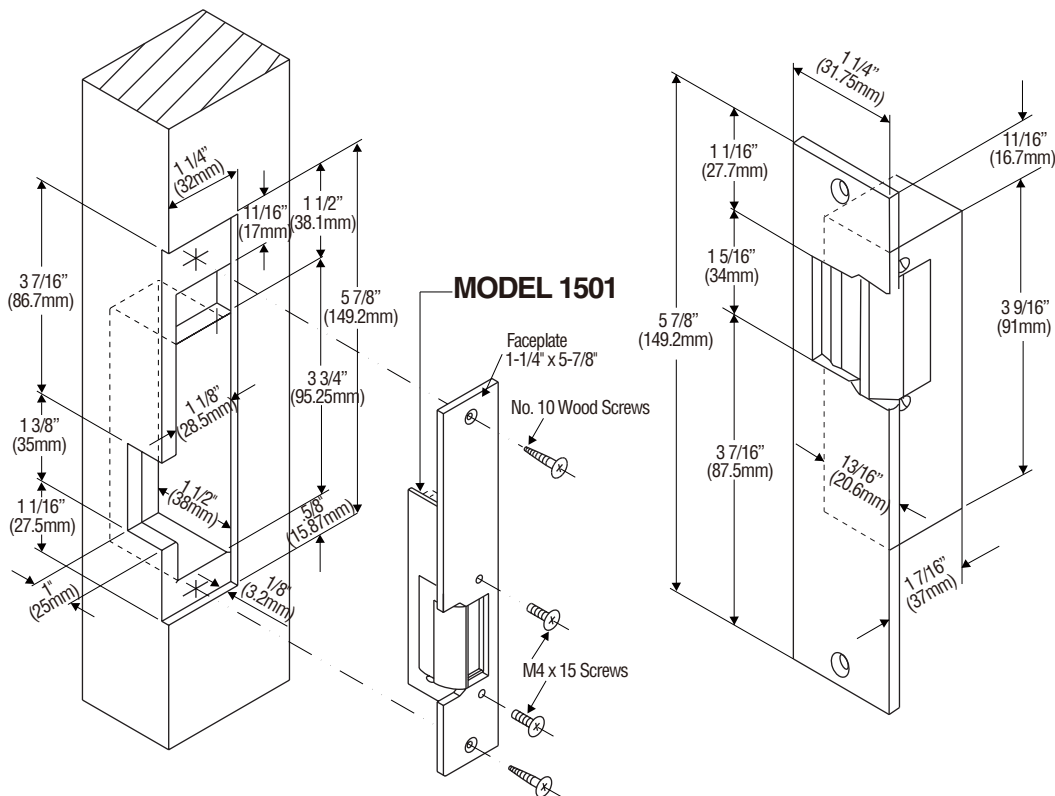
- Fail-secure, faceplate size 5 7/8" x 1 1/4"
- Keeper depth - 5/8" maximum latch projection possible with 1/8" door/frame clearance - 3/4"
- Steel faceplate, suitable for wood frames
- Separate spacers, solenoid mounts to faceplate from front
- Limited warranty - 12 months

SPECIFICATION

TAMPER STRENGTH	1000 LB (454 KG)
VOLTAGE	1501-01 8-16 VAC/3-6 VDC 1501-05 12 VAC/VDC 1501-08 24 VAC/VDC
FINISH	US26D or US4



SPECIFICATION DETAILS



ELECTROMAGNETS

ELECTRIC STRIKES

EXIT DEVICES

MISC. ACCESS CONTROL



MODEL 1505

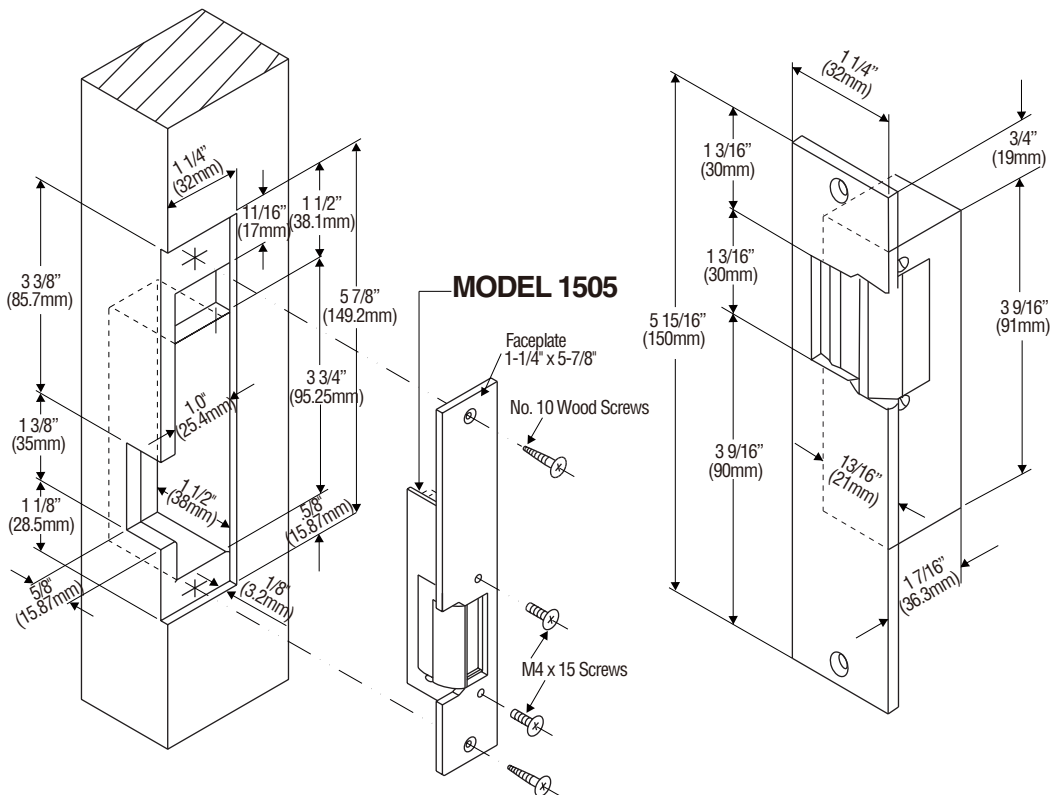
STANDARD FEATURES

- Fail-secure, faceplate size 5 7/8" x 1 1/4"
- Keeper depth - 5/8" maximum latch projection possible with 1/8" door/frame clearance - 3/4"
- Steel faceplate, suitable for wood frames
- Integrated spacers, solenoid mounts to faceplate from side
- Limited warranty - 12 months

SPECIFICATION

TAMPER STRENGTH	1000 LB (454 KG)
VOLTAGE	1505-01 8-16 VAC/3-6 VDC 1505-05 12 VAC/VDC 1505-08 24 VAC/VDC
FINISH	US28 or US4

SPECIFICATION DETAILS



1507

STANDARD FEATURES

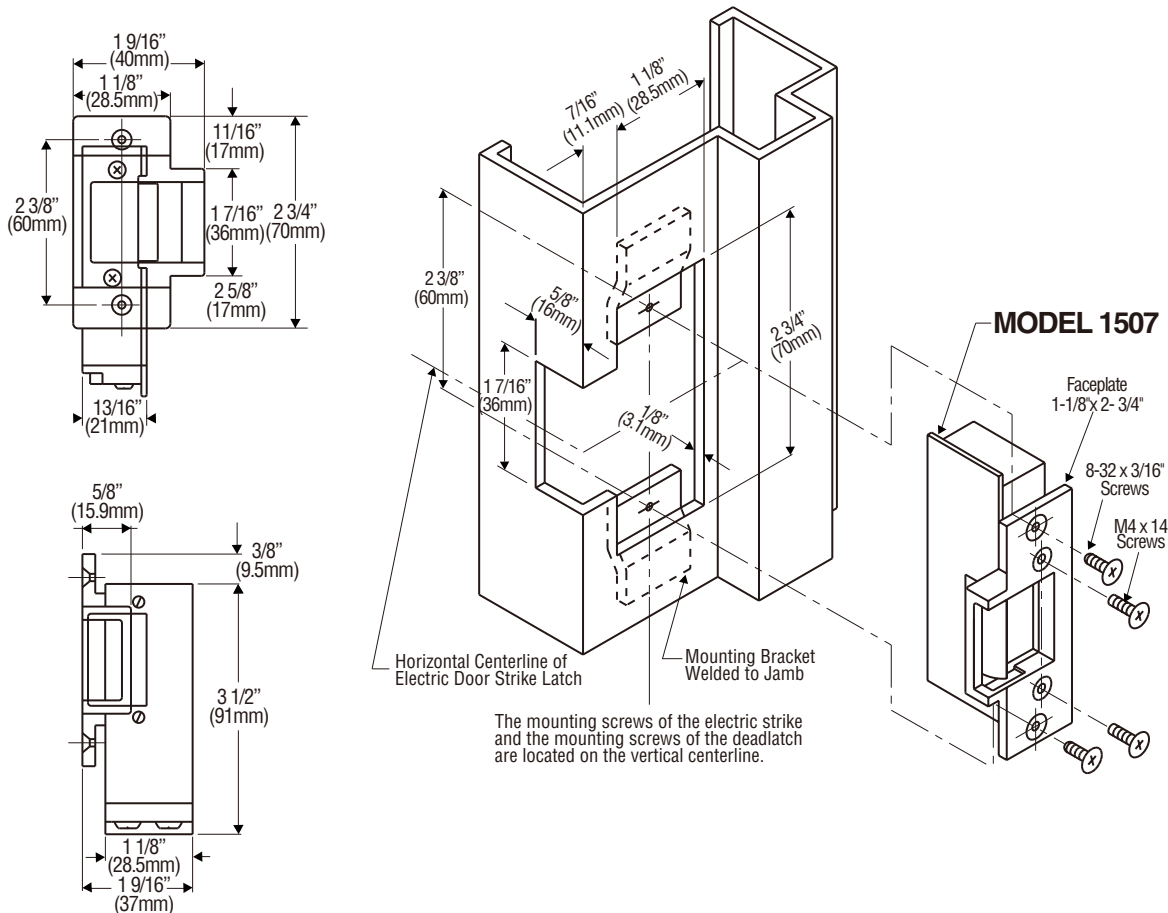
- Fail-secure, faceplate size 2 3/4" x 1 1/4"
- Keeper depth - 5/8" maximum latch projection possible with 1/8" door/frame clearance - 3/4"
- Zinc/Aluminum alloy faceplate, suitable for hollow metal and aluminum frames
- Reversible - non-handed
- Limited warranty - 12 months

SPECIFICATION

TAMPER STRENGTH	1000 LB (454 KG)
VOLTAGE	1507-01 8-16 VAC/3-6 VDC 1507-05 12 VAC/VDC 1507-08 24 VAC/VDC
FINISH	US26D or US4



SPECIFICATION DETAILS



ELECTROMAGNETS

ELECTRIC STRIKES

EXIT DEVICES

MISC. ACCESS CONTROL



1508

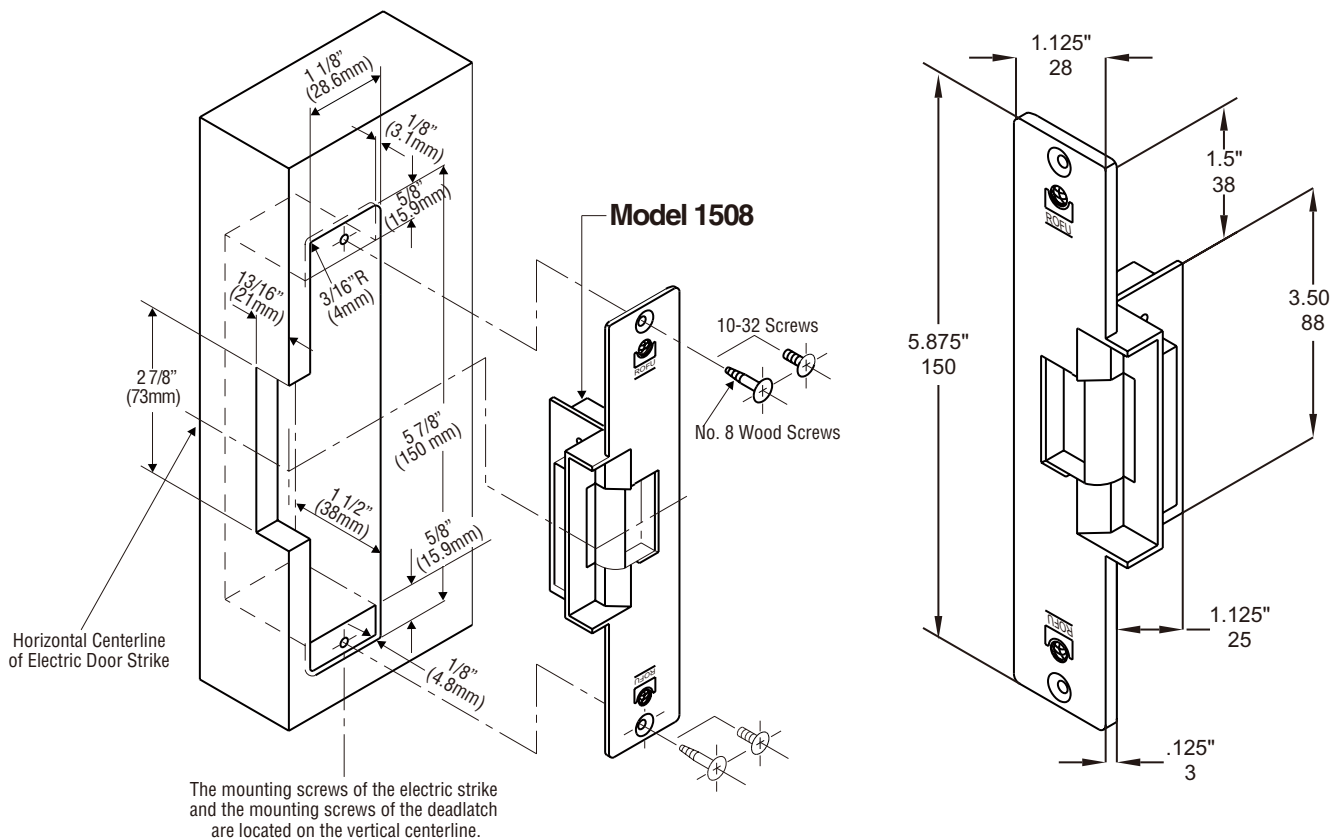
STANDARD FEATURES

- Fail-secure, faceplate size 5 7/8" x 1 1/8"
- Keeper depth - 5/8" maximum latch projection possible with 1/8" door/frame clearance - 3/4"
- Zinc/Aluminum alloy faceplate, suitable for hollow metal, aluminum or wood frames
- Reversible - non-handed
- Limited warranty - 12 months

SPECIFICATION

TAMPER STRENGTH	1000 LB (454 KG)
VOLTAGE	1508-01 8-16 VAC/3-6VDC 1508-05 12 VAC/VDC 1508-08 24 VAC/VDC
FINISH	US28

SPECIFICATION DETAILS



1509

STANDARD FEATURES

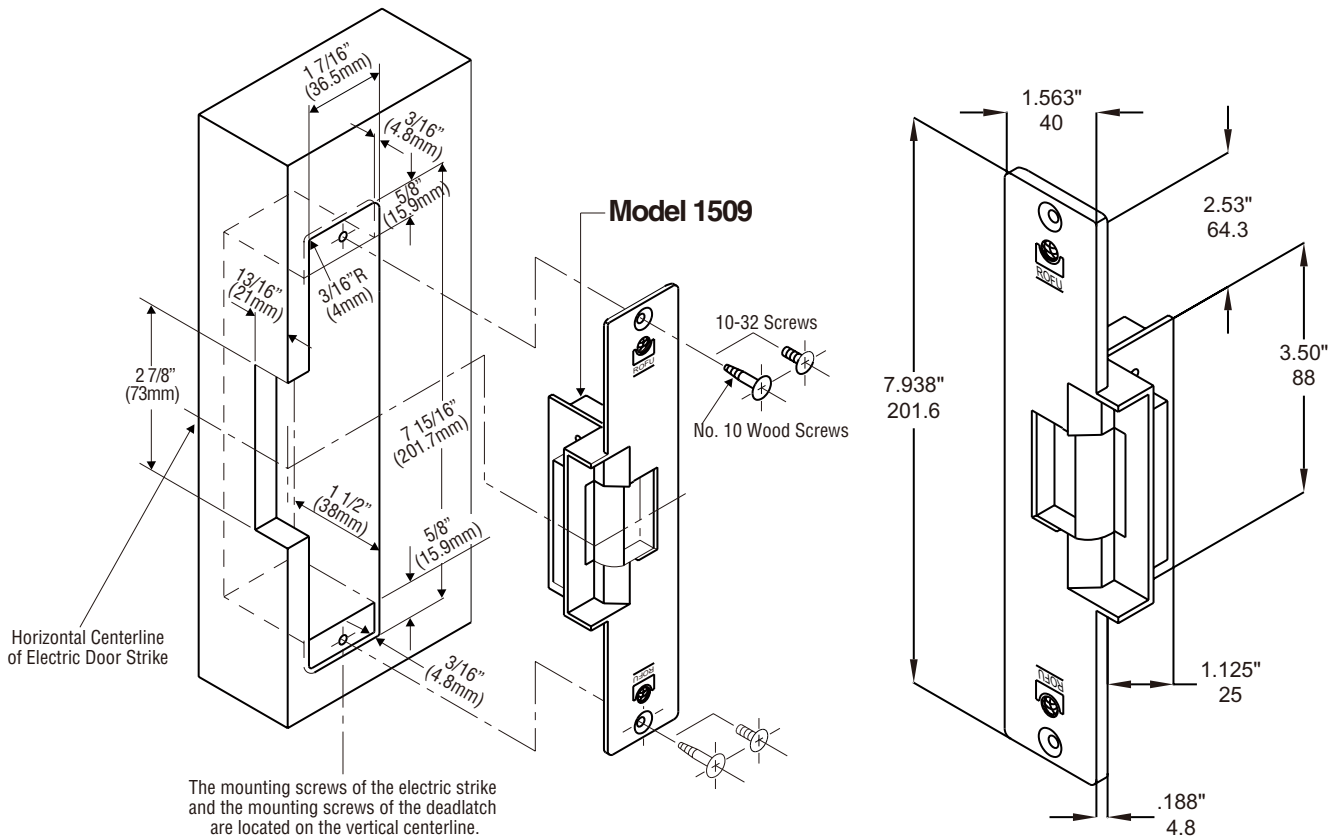
- Fail-secure, faceplate size 7 15/16" x 1 7/16"
- Keeper depth - 5/8" maximum latch projection possible with 1/8" door/frame clearance - 3/4"
- Zinc/Aluminum alloy faceplate, suitable for hollow metal, aluminum or wood frames
- Reversible - non-handed
- Limited warranty - 12 months

SPECIFICATION

TAMPER STRENGTH	1000 LB (454 KG)
VOLTAGE	1509-01 8-16 VAC/3-6VDC 1509-05 12 VAC/VDC 1509-08 24 VAC/VDC
FINISH	US28



SPECIFICATION DETAILS



ELECTROMAGNETS

ELECTRIC STRIKES

EXIT DEVICES

MISC. ACCESS CONTROL

1512

STANDARD FEATURES

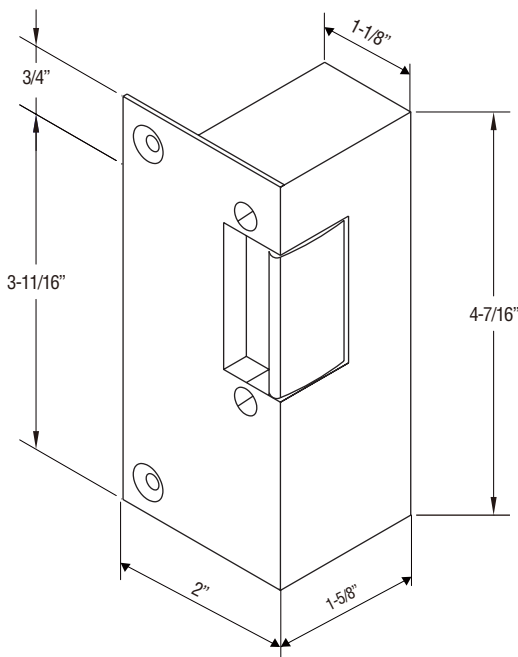
- Fail-secure, faceplate size 4 7/16" x 1 5/8" x 1 5/32"
- Keeper depth - 5/8" maximum latch projection possible with 1/8" door/frame clearance - 3/4"
- Steel faceplate, suitable for hollow metal, aluminum or wood frames
- Available as Side Mount or Front Mount
- Limited warranty - 12 months



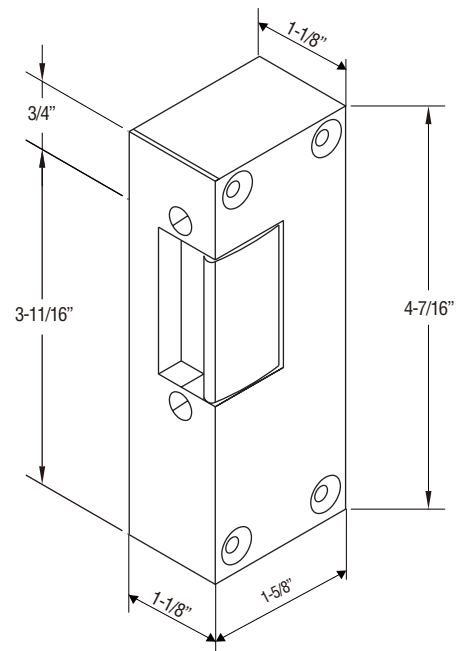
SPECIFICATION

TAMPER STRENGTH	1000 LB (454 KG)
VOLTAGE	1512-01 8-16 VAC/3-6 VDC 1512-05 12 VAC/VDC 1512-08 24 VAC/VDC
FINISH	Gray
MOUNTING	Side Mount Front Mount

SPECIFICATION DETAILS



**1512
SIDE MOUNT**



**1512-F
FRONT MOUNT**

1500 SOLENOIDS ONLY

STANDARD FEATURES

- Rated for continuous duty for VDC and intermittent duty (not exceeding 10 seconds) for VAC

SPECIFICATION

MODELS	VOLTAGE	CURRENT DRAW	OHMS
1500-01G	8-16 VAC	Ohm's Law	5
	3-6 VDC*	Ohm's Law	5
1500-05G	12 VAC	0.194A	49
	12 VDC	0.240A	49
1500-08G	24 VAC	0.123A	164
	24 VDC	0.146A	164

*intermittent use only at 3-6 VDC



ELECTROMAGNETS

ELECTRIC STRIKES

EXIT DEVICES

MISC. ACCESS CONTROL

1401/3401

STANDARD FEATURES

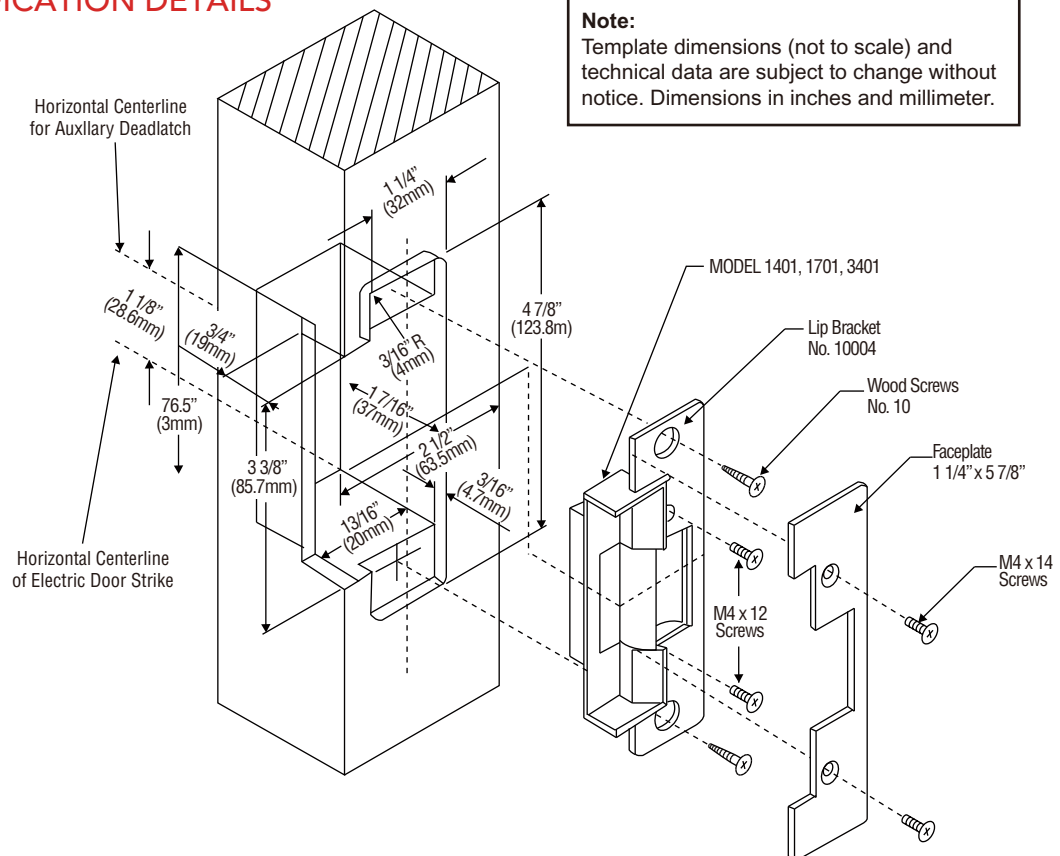
- **Model 1401** - Fail-secure
Model 3401 - Fail-safe
- Faceplate size 1 1/4" x 5 7/8"
- Steel faceplate, suitable for wood frames
- Keeper depth - 5/8" maximum latch projection possible with 1/8" door/frame clearance - 3/4"
- Limited warranty - 36 months

SPECIFICATION

TAMPER STRENGTH	1400 LB (635 KG)	
VOLTAGE	1401-01	8-16 VAC/3-6 VDC
	1401-05	12 VAC/VDC
	1401-08	24 VAC/VDC
	3401-06	12 VDC
	3401-09	24 VDC
FINISH	US26D or US4	



SPECIFICATION DETAILS



1402/3402

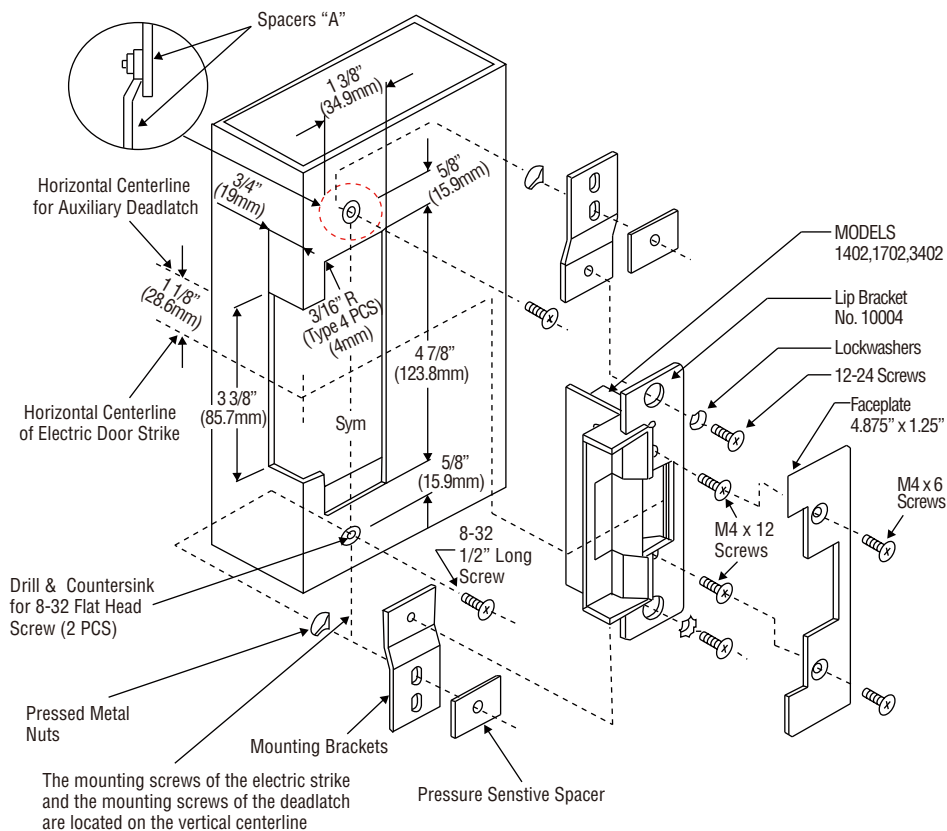
STANDARD FEATURES

- **Model 1402** - Fail-secure
Model 3402 - Fail-safe
- Faceplate size 1 1/4" x 4 7/8"
- Anodized aluminum ANSI size faceplate, suitable for hollow metal, aluminum or wood frames
- Keeper depth - 5/8" maximum latch projection possible with 1/8" door/frame clearance - 3/4"
- Reversible - non-handed
- Limited warranty - 36 months

SPECIFICATION

TAMPER STRENGTH	1400 LB (635 KG)	
VOLTAGE	1402-01	8-16 VAC/3-6 VDC
	1402-05	12 VAC/VDC
	1402-08	24 VAC/VDC
	3402-06	12 VDC
	3402-09	24 VDC
FINISH	US28, US4 or US10B	

SPECIFICATION DETAILS



1403/3403

STANDARD FEATURES

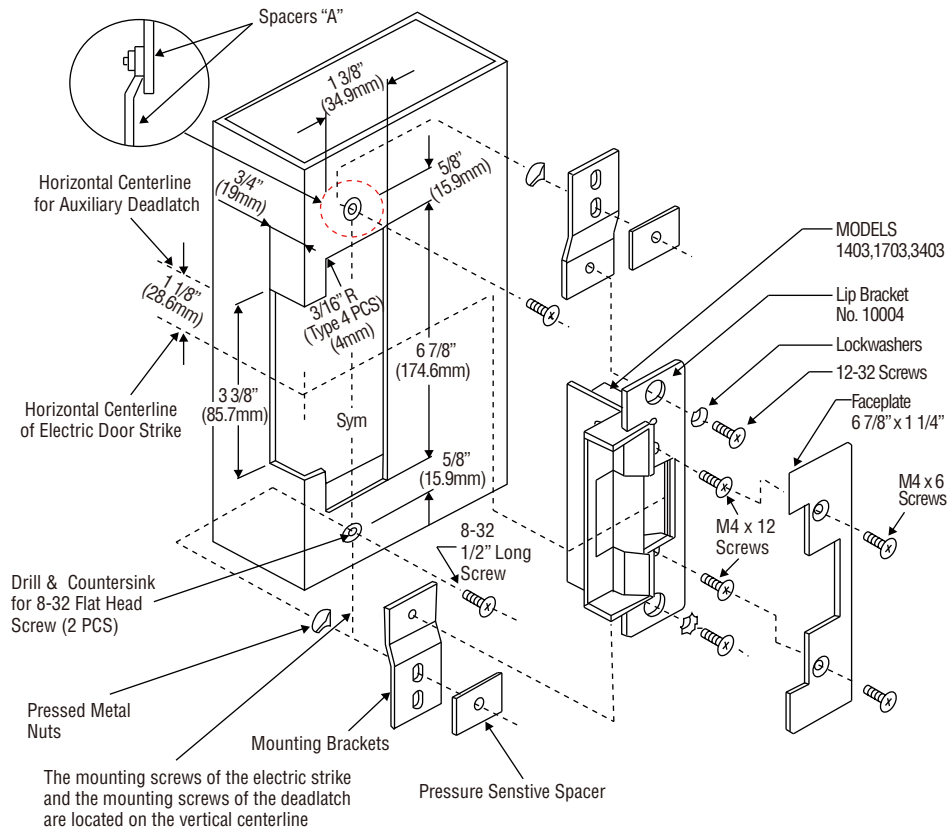
- **Model 1403** - Fail-secure
Model 3403 - Fail-safe
- Faceplate size 1 1/4" x 6 7/8"
- Anodized aluminum faceplate, suitable for hollow metal, aluminum or wood frames
- Keeper depth - 5/8" maximum latch projection possible with 1/8" door/frame clearance - 3/4"
- Reversible - non-handed
- Limited warranty - 36 months



SPECIFICATION

TAMPER STRENGTH	1400 LB (635 KG)	
VOLTAGE	1403-01	8-16 VAC/3-6 VDC
	1403-05	12 VAC/VDC
	1403-08	24 VAC/VDC
	3403-06	12 VDC
	3403-09	24 VDC
FINISH	US28 or US10B	

SPECIFICATION DETAILS



1404/3404

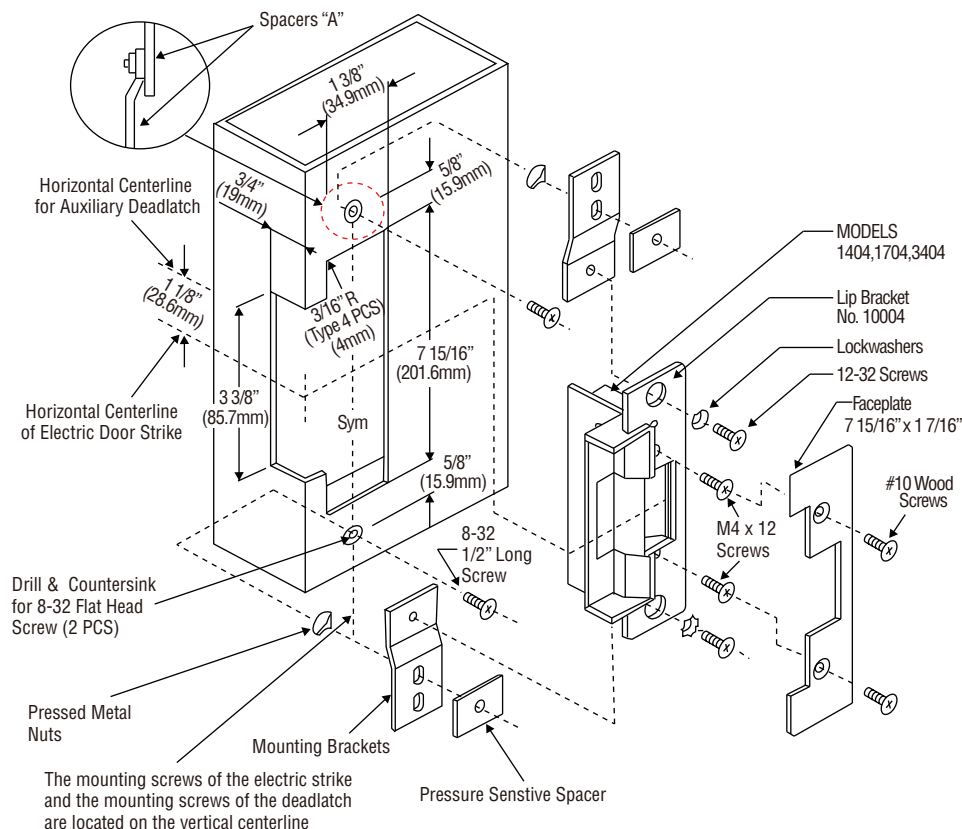
STANDARD FEATURES

- **Model 1404** - Fail-secure
Model 3404 - Fail-safe
- Faceplate size 1 7/16" x 7 15/16"
- Anodized aluminum faceplate, suitable for hollow metal, aluminum or wood frames
- Keeper depth - 5/8" maximum latch projection possible with 1/8" door/frame clearance - 3/4"
- Reversible - non-handed
- Limited warranty - 36 months

SPECIFICATION

TAMPER STRENGTH	1400 LB (635 KG)	
VOLTAGE	1404-01	8-16 VAC/3-6 VDC
	1404-05	12 VAC/VDC
	1404-08	24 VAC/VDC
	3404-06	12 VDC
	3404-09	24 VDC
FINISH	US28, US4 or US10B	

SPECIFICATION DETAILS



ELECTROMAGNETS

ELECTRIC STRIKES

EXIT DEVICES

MISC. ACCESS CONTROL

1430/3430

STANDARD FEATURES

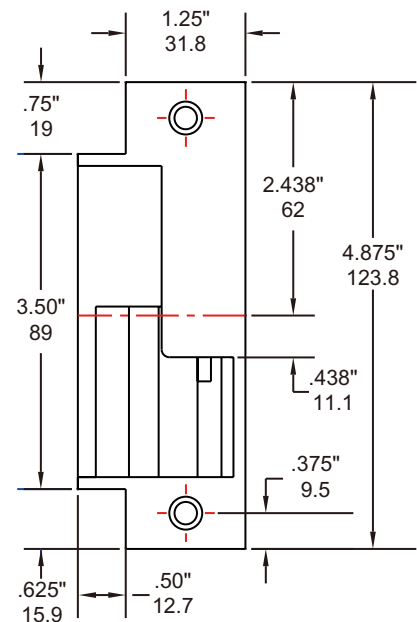
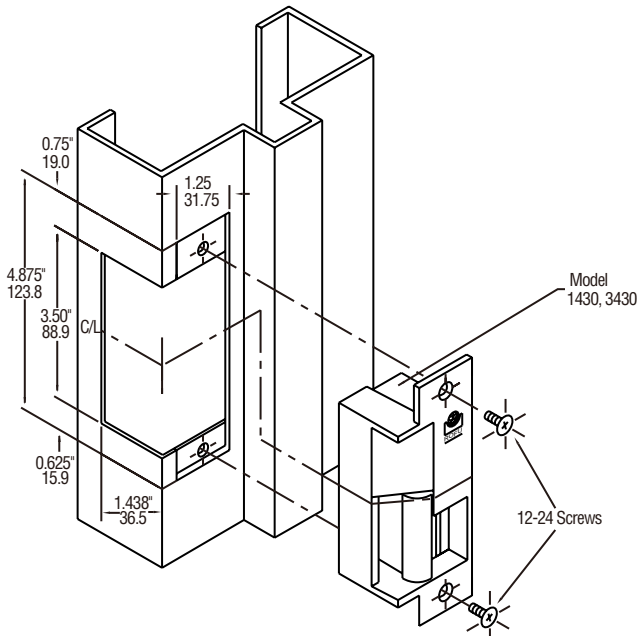
- **Model 1430** - Fail-secure
Model 3430 - Fail-safe
- ANSI/BHMA A 156.5 (1 1/4" x 4 7/8"), for use with cylindrical and mortise locksets
- Stainless steel, corrosion-resistant faceplate, suitable for hollow metal, aluminum or wood frames, fits cutout specification A 115.1 (with slight jamb modification)
- Keeper depth - 5/8" maximum latch projection possible with 1/8" door/frame clearance - 3/4" Keeper opening - 3/8" below center line
- **Handed - please specify RH or LH**
- Limited warranty - 36 months



SPECIFICATION

TAMPER STRENGTH	1700 LB (765 KG)	
VOLTAGE	1430-01 RH	8-16 VAC/3-6 VDC
	1430-01 LH	8-16 VAC/3-6 VDC
	1430-05 RH	12 VAC/VDC
	1430-05 LH	12 VAC/VDC
	1430-08 RH	24 VAC/VDC
	1430-08 LH	24 VAC/VDC
	3430-06 RH	12 VDC
	3430-06 LH	12 VDC
	3430-09 RH	24 VDC
3430-09 LH	24 VDC	
FINISH	US32D, US3 (plated) or US10B	

SPECIFICATION DETAILS



1440/3440

STANDARD FEATURES

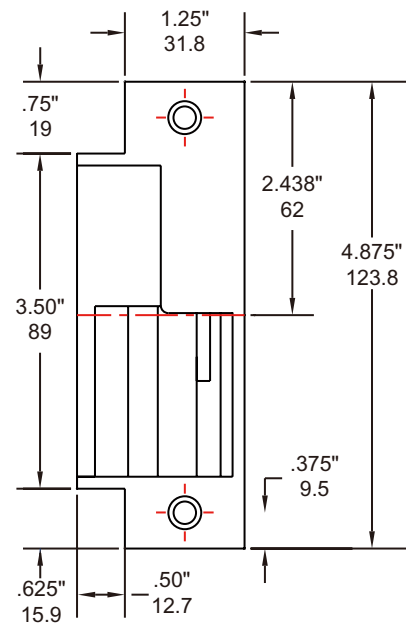
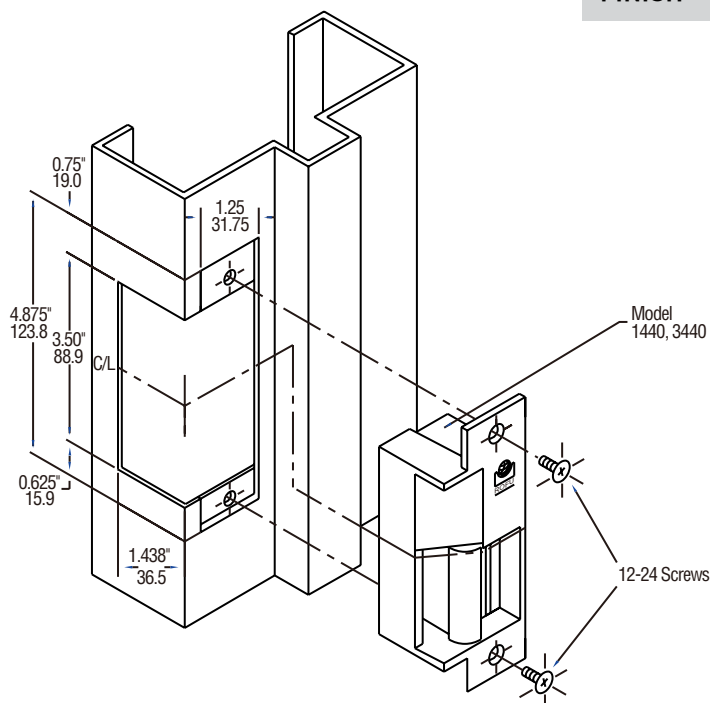
- **Model 1440** - Fail-Secure
Model 3440 - Fail-Safe
- ANSI/BHMA A 156.5 (1 1/4" x 4 7/8"), for use with cylindrical and mortise locksets
- Stainless steel, corrosion-resistant faceplate, suitable for hollow metal, aluminum or wood frames, fits cutout specification A 115.1 (with slight jamb modification)
- Keeper depth - 5/8" maximum latch projection possible with 1/8" door/frame clearance - 3/4" Keeper opening starts at center line
- **Handed - please specify RH or LH**
- Limited warranty - 36 months



SPECIFICATION

TAMPER STRENGTH	1700LB (765KG)	
VOLTAGE	1440-01 RH	8-16VAC/3-6 VDC
	1440-01 LH	8-16VAC/3-6 VDC
	1440-05 RH	12 VAC/VDC
	1440-05 LH	12 VAC/VDC
	1440-08 RH	24 VAC/VDC
	1440-08 LH	24 VAC/VDC
	3440-06 RH	12 VDC
	3440-06 LH	12 VDC
	3440-09 RH	24 VDC
3440-09 LH	24 VDC	
FINISH	US32D, US3 (plated) or US10B	

SPECIFICATION DETAILS



1450/3450

STANDARD FEATURES

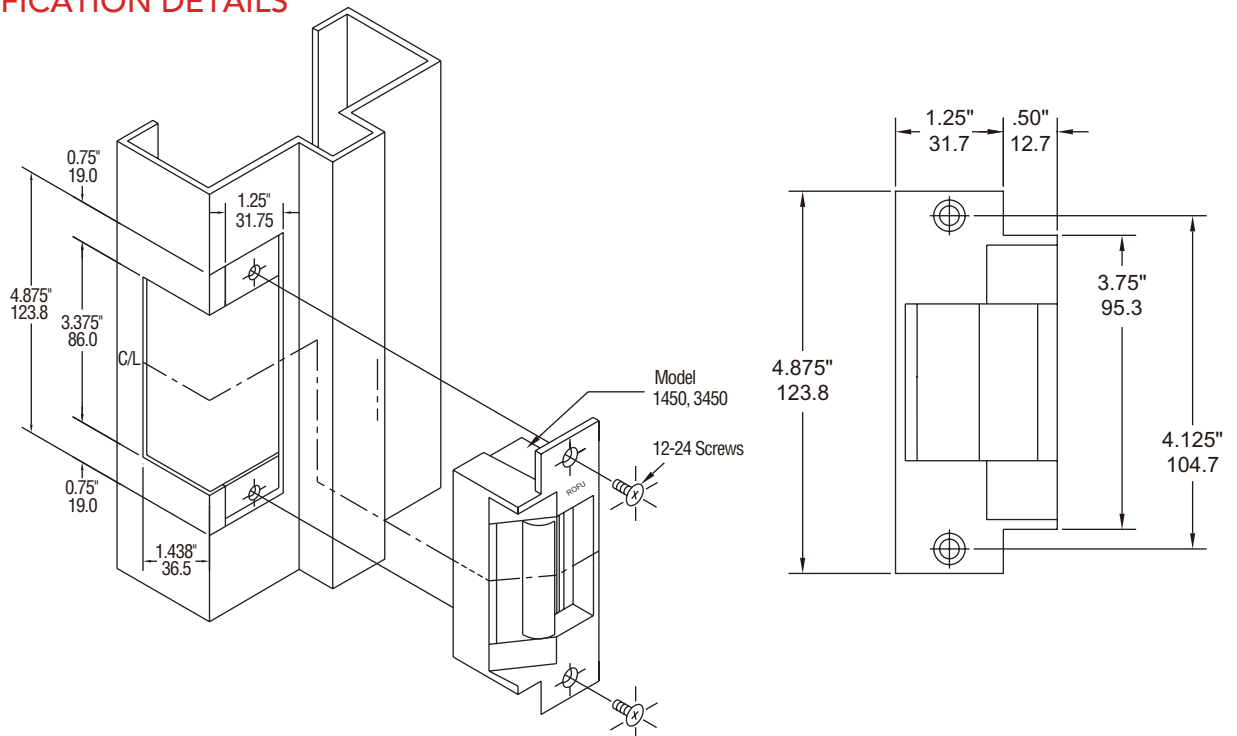
- **Model 1450** - Fail-secure
Model 3450 - Fail-safe
- ANSI/BHMA A 156.5 (1 1/4" x 4 7/8"), for use with cylindrical and mortise locksets
- Stainless steel, corrosion-resistant faceplate, suitable for hollow metal, aluminum or wood frames, fits cutout specification A 115.1 (with slight jamb modification)
- Keeper depth - 5/8" maximum latch projection possible with 1/8" door/frame clearance - 3/4" Keeper opening starts at center line
- Fully tamper proof horizontal adjustment
- Reversible - non-handed
- Limited warranty - 36 months

SPECIFICATION

TAMPER STRENGTH	1700 LB (765 KG)	
VOLTAGE	1450-01	8-16 VAC/3-6 VDC
	1450-05	12V AC/VDC
	1450-08	24 VAC/VDC
	3450-06	12 VDC
	3450-09	24 VDC
FINISH	US32D, US3 (plated) or US10B	



SPECIFICATION DETAILS



1460/3460



STANDARD FEATURES

- **Model 1460** - Fail-secure
- **Model 3460** - Fail-safe
- Faceplate size 1 3/8" x 9"
- Stainless steel, corrosion-resistant faceplate, suitable for hollow metal, aluminum or wood frames
- Keeper depth - 5/8" maximum latch projection possible with 1/8" door/frame clearance - 3/4"
- Keeper opening starts at center line
- Fully tamper proof horizontal adjustment
- 1 1/2" jamb modification
- Reversible - non-handed (without deadbolt)
- Limited warranty - 36 months

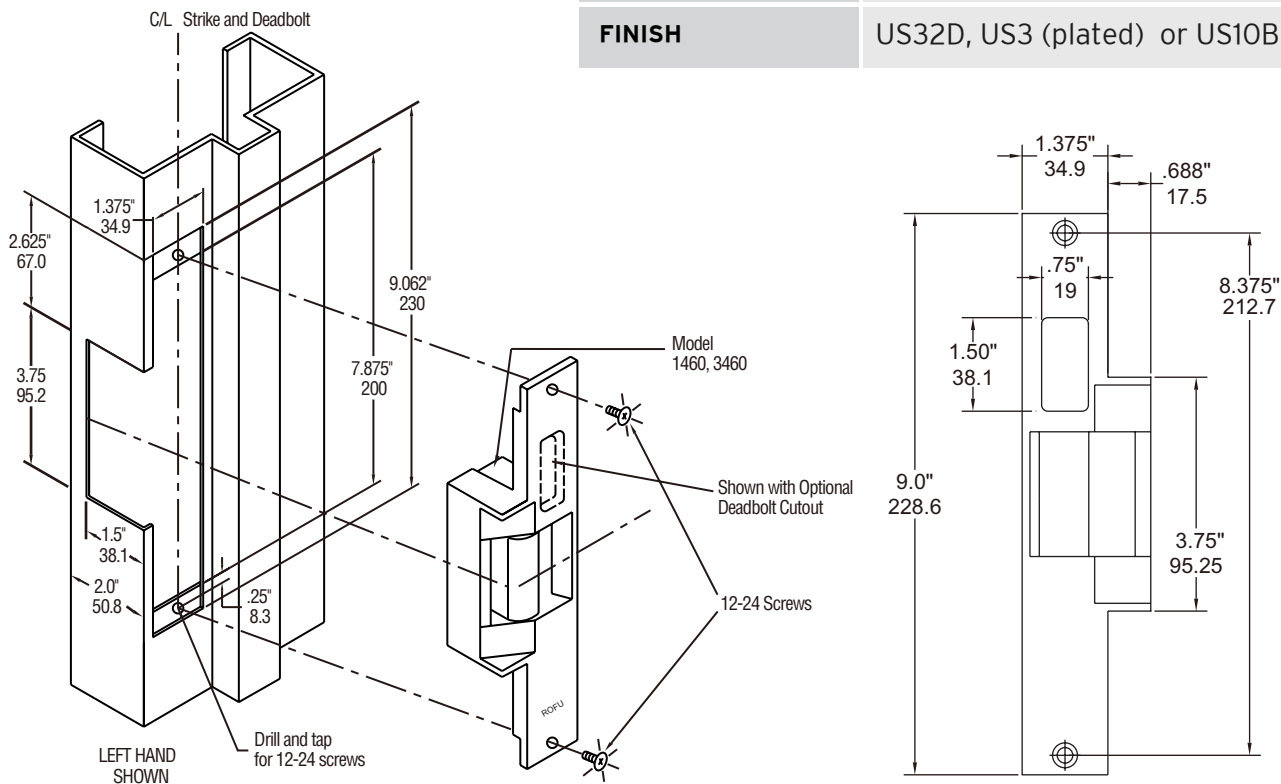
OPTIONAL FEATURES

Cutout for deadbolt
(Specify 1460B-LH or 1460B-RH with required voltage)

SPECIFICATION

TAMPER STRENGTH	1700 LB (765 KG)	
VOLTAGE	1460-01	8-16 VAC/3-6 VDC
	1460-05	12 VAC/VDC
	1460-08	24 VAC/VDC
	3460-06	12 VDC
	3460-09	24 VDC
FINISH	US32D, US3 (plated) or US10B	

SPECIFICATION DETAILS



1470B/3470B

STANDARD FEATURES

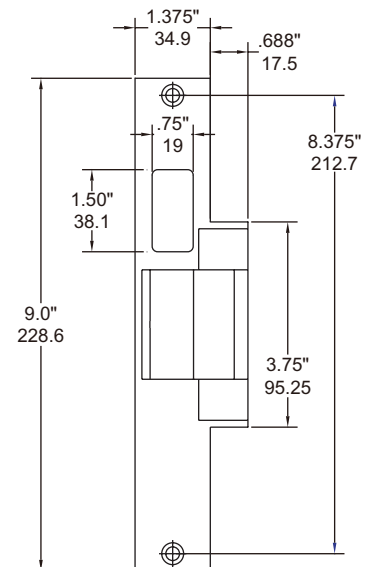
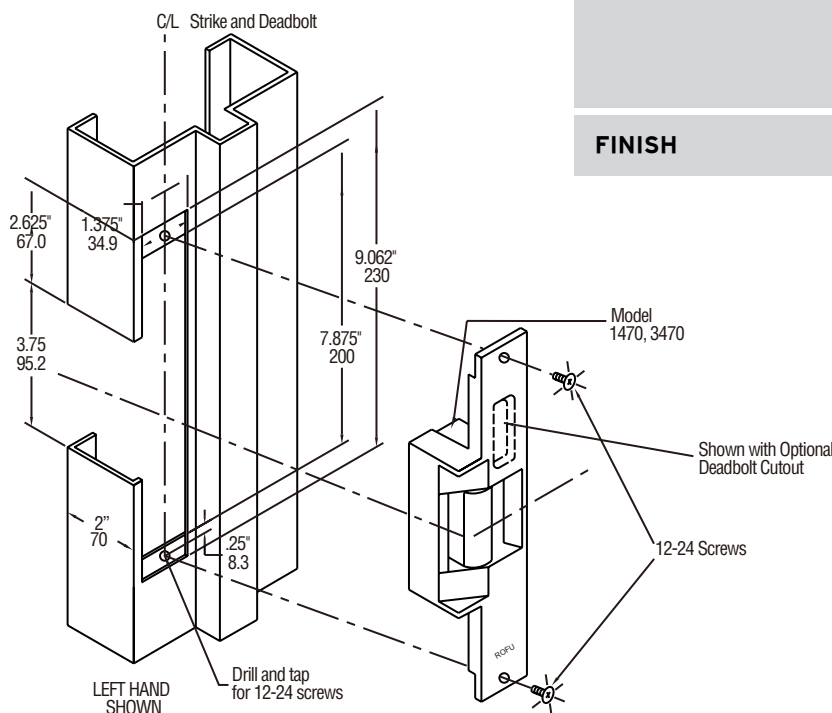
- **Model 1470** - Fail-secure
Model 3470 - Fail-safe
- Faceplate size 1 3/8" x 9"
- Stainless steel, corrosion-resistant faceplate, suitable for hollow metal, aluminum or wood frames
- Keeper depth - 5/8" maximum latch projection possible with 1/8" door/frame clearance - 3/4" Keeper opening starts at center line
- Cutout for deadbolt (Specify 1470B-LH or 1470B-RH, 3470B-LH or 3470B-RH)
- Fully tamper proof horizontal adjustment
- 2" jamb modification
- Limited warranty - 36 months



SPECIFICATION

TAMPER STRENGTH	1700 LB (765 KG)
VOLTAGE	1470-01B/RH 8-16 VAC/3-6 VDC 1470-01B/LH 8-16 VAC/3-6 VDC 1470-05B/RH 12 VAC/VDC 1470-05B/LH 12 VAC/VDC 1470-08B/RH 24 VAC/VDC 1470-08B/LH 24 VAC/VDC 3470-06B/LH 12 VDC 3470-06B/RH 12 VDC 3470-09B/LH 24 VDC 3470-09B/RH 24 VDC
FINISH	US32D, US3 (plated) or US10B

SPECIFICATION DETAILS



1400 SOLENOID



STANDARD FEATURES

- Rated for continuous for VDC and intermittent duty (not exceeding 10 seconds) for VAC
- Specify **RH** solenoids for Models 1401, 1430LH, 1440LH
- Specify **LH** solenoids for Models 1430RH, 1440RH,
- **1400-G Series** are centered (non-handed), compatible for all models except 1430 and 1440

SPECIFICATION

MODELS	VOLTAGE	CURRENT DRAW	OHMS
1400-01G	8-16 VAC	0.33~0.8A / 0.75A	16
1400-01R	3-6 VDC*	Ohm's Law	5
1400-01L		Ohm's Law	5
1400-05G	12 VAC/VDC	0.28A	41
1400-05R		0.194A/0.24A	49
1400-05L		0.194A/0.24A	49
1400-08G	24 VAC/VDC	0.16A	148
1400-08R		0.123A/0.146A	164
1400-08L		0.123A/0.146A	164

*intermittent use only at 3-6 VDC

3400 SOLENOID

STANDARD FEATURES

- Rated for continuous duty, VDC only.
- Specify **RH** solenoids for Models 3401, 3430LH, 3440LH, 3460B/RH and 3470B/RH
- Specify **LH** solenoids for Models 3430RH, 3440RH, 3460B/LH and 3470B/LH

SPECIFICATION

MODELS	VOLTAGE	CURRENT DRAW	OHMS
3400-06R	12 VDC	0.24A	50.3
3400-06L			
3400-09R	24 VDC	0.10A	232.2
3400-09L			

1700 SOLENOID



STANDARD FEATURES

- Rated for continuous for VDC and intermittent duty (not exceeding 10 seconds) for VAC
- Adjustable keeper included

SPECIFICATION

MODELS	VOLTAGE	CURRENT DRAW	OHMS
1700-01	8-16 VAC, 3-6 VDC*	0.33~0.8A	16
1700-05		0.28A	41
1700-07	24 VAC/VDC	0.16A	148
1700-08	24 VDC	0.14A	170

*intermittent use only at 3-6 VDC

1701

STANDARD FEATURES

- Fail-secure, faceplate size 1 1/4" x 5 7/8"
- Steel faceplate, suitable for wood frames
- Adjustable keeper, depth - 1/2" max latch projection possible with 1/8" door/frame clearance - 3/4"
- Limited warranty - 36 months

SPECIFICATION

TAMPER STRENGTH	1000 LB (454 KG)
VOLTAGE	1701-01 8-16 VAC/3-6 VDC 1701-05 12 VAC/VDC 1701-07 24 VAC/VDC 1701-08 24 VDC
FINISH	US26D, or US4



1702

STANDARD FEATURES

- Fail-secure, faceplate size 1 1/4" x 4 7/8"
- Anodized aluminum ANSI size faceplate, suitable for hollow metal, aluminum or wood frames
- Adjustable keeper, depth - 1/2" max latch projection possible with 1/8" door/frame clearance - 3/4"
- Reversible - non-handed
- Limited warranty - 36 months

SPECIFICATION

TAMPER STRENGTH	1000 LB (454 KG)
VOLTAGE	1702-01 8-16 VAC/3-6 VDC 1702-05 12 VAC/VDC 1702-07 24 VAC/VDC 1702-08 24 VDC
FINISH	US28, US4 or US10B



1703

STANDARD FEATURES

- Fail-secure, faceplate size 1 1/4" x 6 7/8"
- Anodized aluminum faceplate, suitable for hollow metal, aluminum or wood frames
- Adjustable keeper, depth - 1/2" max latch projection possible with 1/8" door/frame clearance - 3/4"
- Reversible - non-handed
- Limited warranty - 36 months

SPECIFICATION

TAMPER STRENGTH	1000 LB (454 KG)
VOLTAGE	1703-01 8-16 VAC/3-6 VDC 1703-05 12 VAC/VDC 1703-07 24 VAC/VDC 1703-08 24 VDC
FINISH	US28 or US10B



ELECTROMAGNETS

ELECTRIC STRIKES

1704

STANDARD FEATURES

- Fail-secure, faceplate size 1 7/16" x 7 15/16"
- Anodized aluminum faceplate, suitable for hollow metal, aluminum or wood frames
- Adjustable keeper, depth - 1/2" max latch projection possible with 1/8" door/frame clearance - 3/4"
- Reversible - non-handed
- Limited warranty - 36 months

SPECIFICATION

TAMPER STRENGTH	1000 LB (454KG)
VOLTAGE	1704-01 8-16 VAC/3-6 VDC 1704-05 12 VAC/VDC 1704-07 24 VAC/VDC 1704-08 24 VDC
FINISH	US28, US4 or US10B



EXIT DEVICES

MISC. ACCESS CONTROL

1106 SERIES

1106 Series Strikes are fail-secure, weatherproof electric strike for gate locks. One piece strike body made of cast zinc alloy, suitable for cylindrical and mortise locksets and for hollow metal and wood frame doors.

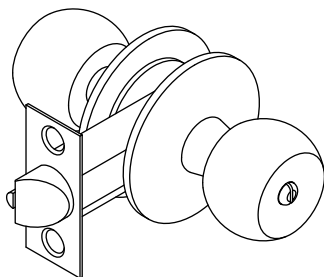
The new water drainage design makes it suitable for use on gates or semi-outdoor applications.

STANDARD FEATURES

- Fail-secure operation
- Weatherproof
- Static strength 1000 LB (470 KG)
- One piece cast zinc alloy construction
- Non-handed, fully reversible
- Net weight: 343g
- Tested to 250,000+ cycles
- Can be powered by VDC for continuous duty and VAC for intermittent use, (not exceeding 10 seconds)

COMPATIBLE LOCKS

Designed for Cylindrical Locksets



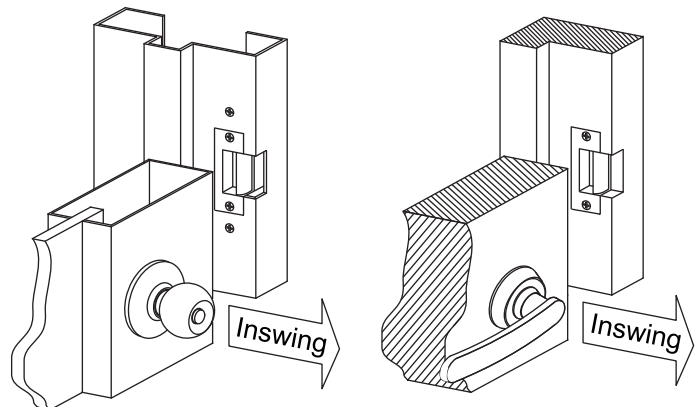
SPECIFICATION

MODELS	1106-01	1106-02
VOLTAGE	8-16 VAC Only	12/24 VAC/VDC
FINISH	US28 or US4	
HOLDING FORCE	1000 LB (470KG)	
LATCH THROW	9/16" (15mm)	
KEEPER WIDTH	1 5/8" (41mm)	
DIMENSION	3 1/2" (L) x 1 7/16" (W) x 2 5/8" (D)	
OPERATING TEMP.	14°F to 133°F (-10°C~+45°C)	

FRAME APPLICATIONS

Hollow Metal

Wood



2400 KIT

2400 Kit is a universal, burglary-resistant electric strike, compatible with a wide range of cylindrical locksets. The kit includes two faceplates and is dual voltage and field reversible between fail-safe and fail-secure.

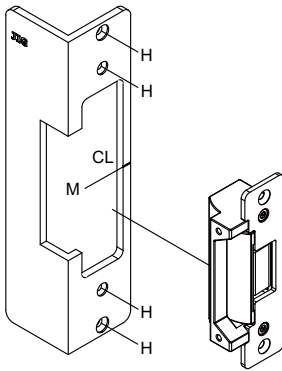
Optional accessories are specifically designed for this universal electric strike, 2402 jig is a useful tool for jamb preparation while 1" and 2" lip extensions are also available.

STANDARD FEATURES

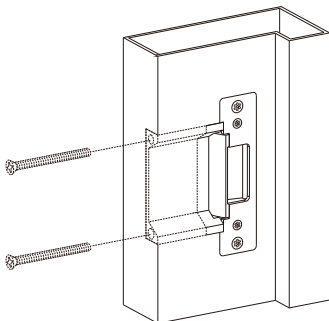
- Dual voltage 12/24 VDC field selectable (VAC for intermittent duty), PoE friendly.
- Field reversible: fail-safe or fail-secure
- Non-handed, fully reversible
- Complete with two stainless faceplates: 1 1/4" x 4 7/8" (ANSI) and 1 7/16" x 7 15/16"
- Tested to 250,000 cycles (UL Certified)
- Low Profile: 1 1/4" depth overall
- UL Listed for burglary-resistant under file CVXY.BP3741



2402 JIG INSTALLATION





5525/5550 INSTALLATION



SPECIFICATION

VOLTAGE	12/24 VDC
CURRENT	300 mA/12 VDC, 150 mA/24 VDC
STATIC STRENGTH	1000 LB (454 KG)
DYNAMIC STRENGTH	50-ft-lbs. (6.91 m-kgs)
DIMENSION	4 7/8" (L) x 1 1/4" (W) x 1 1/4" (D)
OPERATING TEMP.	32°F to 120°F (0°C~+49°C)

OPTIONAL ACCESSORIES

MODELS	DESCRIPTION
 2402 JIG	Jamb Preparation for ANSI Sized Strike
 5525 5550	1" Lip Extension (Model: 5525) 2" Lip Extension (Model: 5550)

ELECTROMAGNETS

ELECTRIC STRIKES

EXIT DEVICES

MISC. ACCESS CONTROL

2420



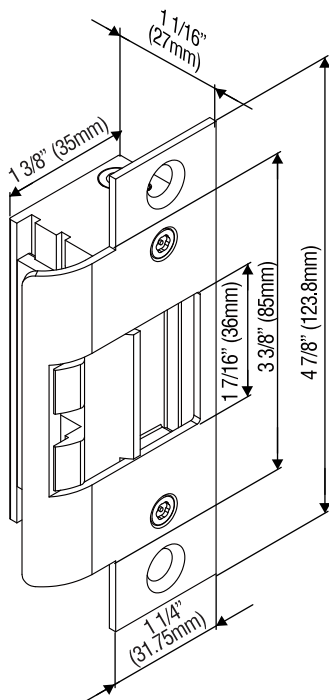
The 2420 Series ANSI electric strikes are designed for use with cylindrical locksets and can be installed on metal and wood door frames. The strikes can be configured to fail-safe or fail-secure on site.

STANDARD FEATURES

- No frame cutting is required
- Dual voltage 12/24 VDC field selectable
- Non-handed fully reversible
- Field reversible: fail-safe or fail-secure
- Static strength 1500 LB (680 KG)
- Dynamic strength 70 ft-lbs
- Endurance 100,000 cycles UL tested
- Brushed stainless steel (US32D) finish



Dimensions



SPECIFICATION

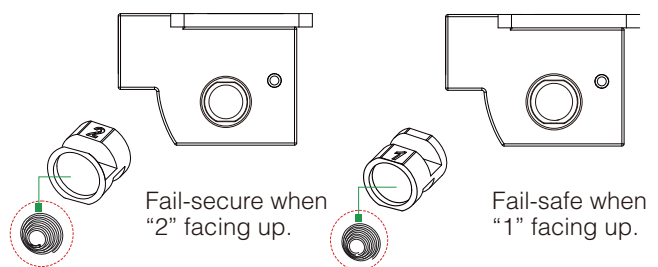
VOLTAGE	12/24 VDC
CURRENT	300 mA/12 VDC, 150 mA/24 VDC
STATIC STRENGTH	1500 LB (680 KG)
DYNAMIC STRENGTH	70-ft-lbs. (9.67 m-kgs)
DIMENSION	4 7/8" x 1 1/4" x 1 1/16"
LATCH THROW	9/16" max
KEEPER WIDTH	1 7/16" max

OPTIONAL FEATURE

MODEL	2420-LM
LATCH MONITORING	Rating: 0.3 A/ 6 VDC

Changing Fail-Safe / Fail-Secure

Fail-safe or fail-secure is field reversible by reversing the round screw.



2435 KIT

2435 Kit, completes with five heavy duty stainless steel faceplates, is designed for mortise and cylindrical locksets. It is reversible for left hand or right hand installation and operates at 12 and 24 VDC.

STANDARD FEATURES

- Heavy duty stainless steel construction
- Vertical adjustments allow for alignment with a wide variety of mortise locks with offset latches
- Dual voltage 12/24 VDC (VAC for intermittent use, not exceeding 10 seconds)
- Sliding keeper shim design for up to 1/8" (3 mm) adjustment for misaligned frames
- Endurance testing: 1,000,000 cycles tested

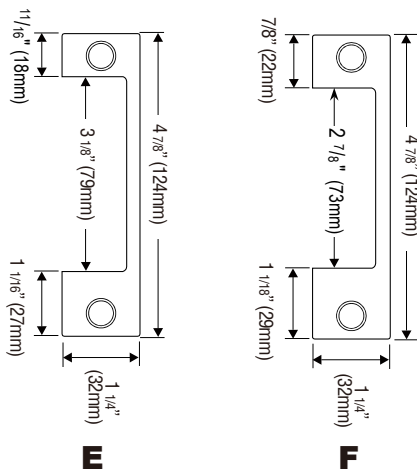


SPECIFICATION

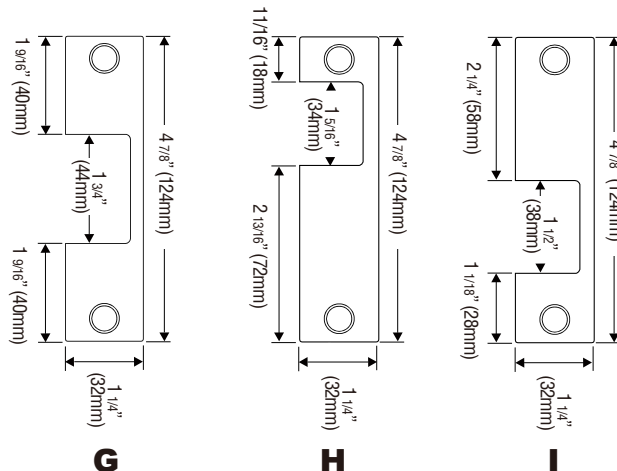
VOLTAGE	12/24 VDC
CURRENT	250 mA/12 VDC, 150 mA/24 VDC
STATIC STRENGTH	1000 LB (454 KG)
DYNAMIC STRENGTH	33-ft-lbs. (4.56 m-kgs)
DIMENSION	3 5/16" (4 5/8") x 1 5/8" x 1 13/16"
Latch Throw	1" max with 1/8" door gap

Faceplates Dimensions

Deadbolt Latch Installation



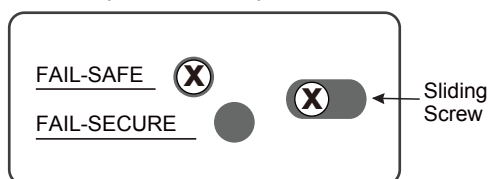
Latchbolt Installation



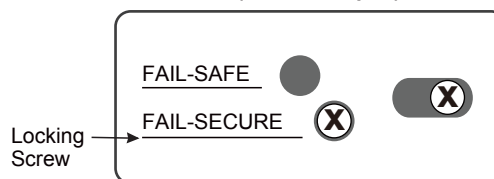
Changing Fail-Safe / Fail-Secure

2435 Kit is field reversible for fail-safe or fail-secure by changing the position of screws.

Fail-Safe (Power to Lock):



Fail-Secure (Power to Open):



2460

ROFU 2460 Rim Mount Strike is a partial surface mount electric strike designed for doors with crash bars. Latch and lock status monitoring is standard for 2460, and the strike operates at 12~28 VDC/VAC. The strike can be easily reversed between fail-safe and fail-secure.



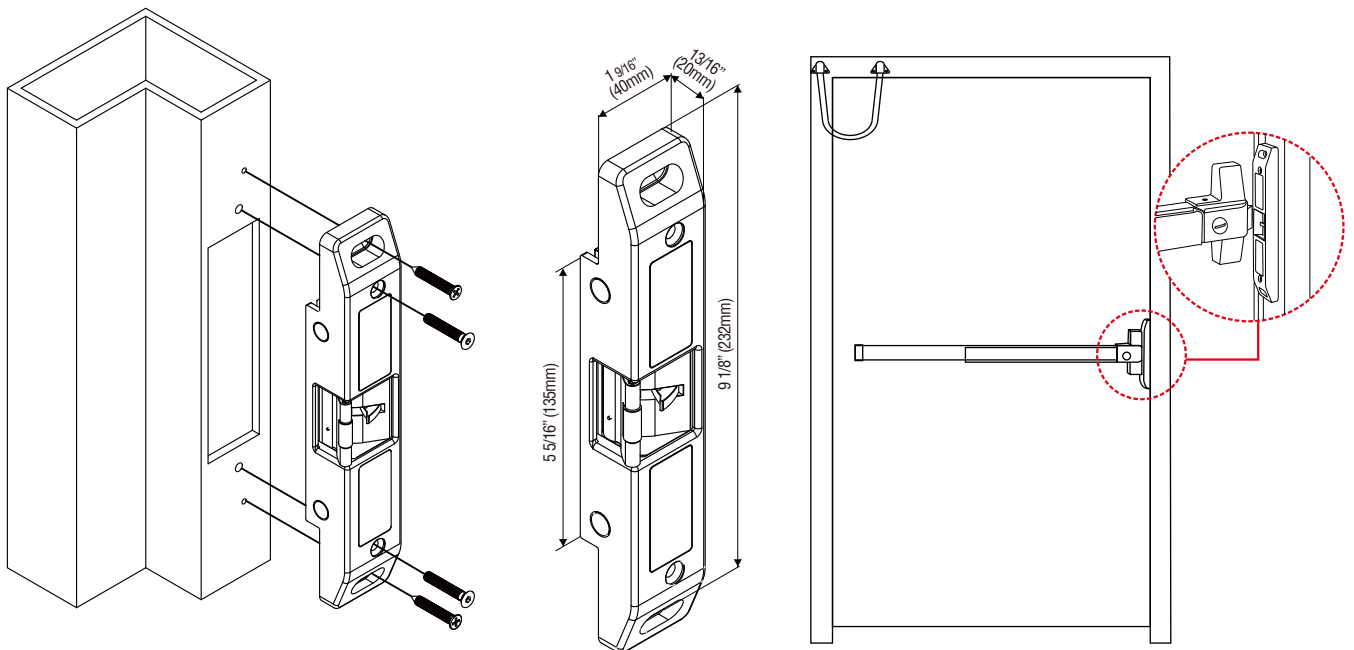
STANDARD FEATURES

- Field reversible: fail-safe or fail-secure
- Non-handed and fully reversible
- Accommodates 11/16" (17mm) latchbolt
- Static strength 1500 LB (680 KG)
- Latch & lock monitoring
- Surface mounted
- Zinc alloy construction in black finish
- Endurance testing: 1,000,000 cycles tested
- Anti-friction roller keeper

SPECIFICATION

VOLTAGE	12~28 VAC/VDC
CURRENT	230 mA/12 VDC, 140 mA/28 VDC 440 mA/12 VAC, 230 mA/28 VAC
STATIC STRENGTH	1500 LB (680 KG)
OPERATING TEMP.	14°F to 113F (-10°C~+45°C)
DIMENSION	9 1/8" x 1 9/16" x 13/16" (1 3/16")
Maximum Latch Throw	11/16" (17mm)

Hollow Metal Installation



2470

ROFU 2470 Rim Mount Strike is a fully surface mount strike and designed with strength and durability for rim exit devices with a 3/4" latch throw.

No cutting on the frame is required and it is field selectable for fail-safe and fail-secure. The strike operates at both 12 and 24 VDC and is designed for indoor use only.



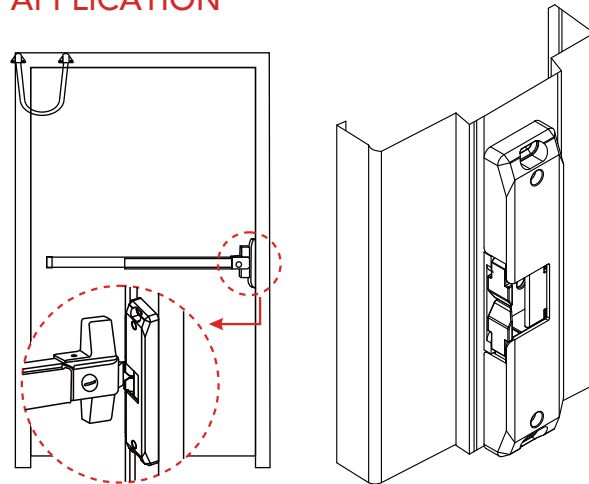
STANDARD FEATURES

- Dual voltage 12/24 VDC field selectable
- Field reversible: fail-secure or fail-safe
- No frame cutting required - surface mounted
- Non-handed fully reversible
- Horizontal adjustment
- Static strength 1500 LB (680 KG)
- Dynamic strength 70 ft-lbs (9.68 m-kgs)
- Endurance rating 250,000 cycles UL tested, 1,000,000 factory tested

SPECIFICATION

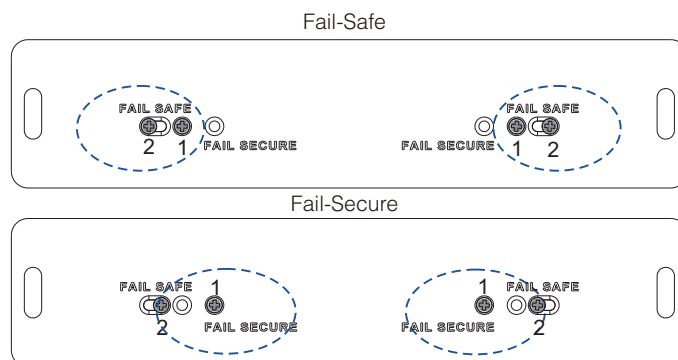
VOLTAGE	12/24 VDC
CURRENT DRAW	540 mA/12 VDC, 270 mA/24 VDC
MODE	Field reversible fail-safe or fail-secure
STATIC STRENGTH	1500 LB (680 KG)
DYNAMIC STRENGTH	70 ft-lbs (9.68 m-kgs)
HOUSING THICKNESS	3/4" (19 mm)
OPERATING TEMP.	14°F to 120°F (-10°C~+49°C)
HUMIDITY	0~85% non-condensing
DIMENSIONS	8" x 1 3/4" x 3/4"

APPLICATION



CHANGING FAIL-SAFE / FAIL-SECURE

Fail-safe or fail-secure is field reversible by changing the position of screws.



2490

ROFU 2490 Rim Mount Strike is a fully surface mount strike and designed with strength and durability for rim exit devices with a 1/2" latch throw.

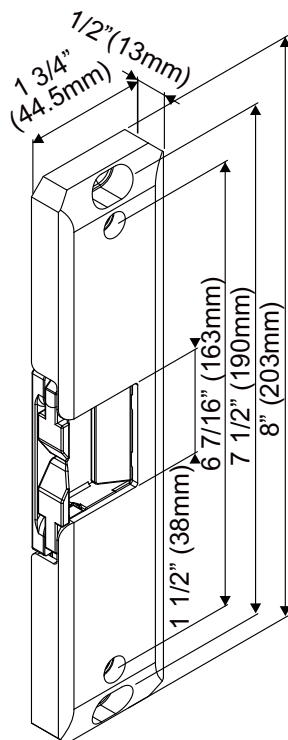
No cutting on the frame is required and it is field selectable for fail-safe and fail-secure. The strike operates at both 12 and 24 VDC and is designed for indoor use only.



STANDARD FEATURES

- Dual voltage 12/24 VDC field selectable
- Field reversible: fail-safe or fail-secure
- No frame cutting required, surface mounted
- Non-handed fully reversible
- Horizontal adjustment
- Static strength 1500 LB (680 KG)
- Dynamic strength 70 ft-lbs (9.68 m-kgs)
- Endurance rating 250,000 cycles, 1,000 000 factory tested

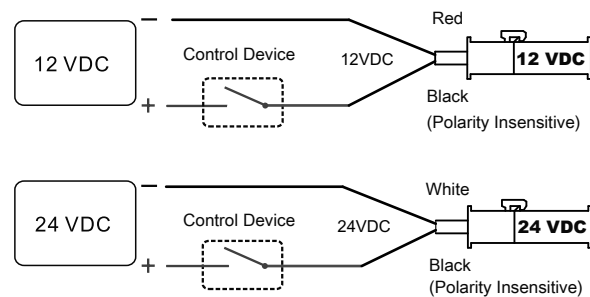
DIMENSIONS



SPECIFICATION

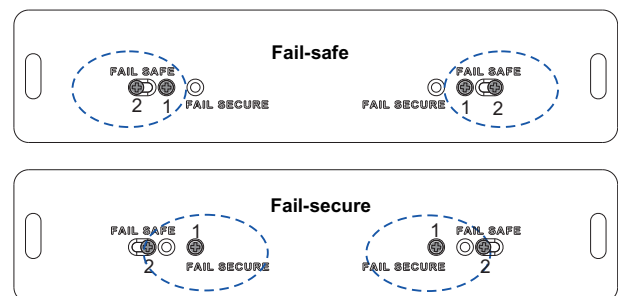
VOLTAGE	12/24 VDC
CURRENT DRAW	540 mA/12 VDC; 270 mA/24 VDC
MODE	Field reversible fail-safe or fail-secure
STATIC STRENGTH	1500 LB (680 KG)
DYNAMIC STRENGTH	70 ft-lbs (9.68 m-kgs)
HOUSING THICKNESS	1/2" (13 mm)
OPERATING TEMP.	14°F to 120°F (-10°C~+49°C)
HUMIDITY	0~85% non-condensing
DIMENSION	8" x 1 3/4" x 1/2"

WIRING DIAGRAMS



CHANGING FAIL-SAFE/FAIL-SECURE

Remove screw #1, loosen, slide and tighten screw #2. Tighten screw #1 to the proper position Fail-secure or Fail-safe.



9200 SERIES

9200 SPDT key switches are compatible with standard architectural size cylinders. Complete with durable and tamper-resistant 1/4" thick aluminum cover plates and are supplied with 2 snake eyes security screws and wrench.

STANDARD FEATURES

- **Standard Plate (4 3/4" x 3" x 1/4")**
- **Narrow Plate (4 3/4" x 1 5/8" x 1/4")**
- Cylinders are not included
- Please Specify Finish: US28 (aluminum) or US40 (dark anodized bronze)



ROFU 9200 STANDARD US28 & US40

SPECIFICATION

MODELS	Description	Mode	Rating	Function
9200	Key Switch	Momentary	10A/250V-15A/125V	SPDT
9200-2	2 Key Switches (1 Plate)	Momentary	10A/250V-15A/125V	SPDT
9201	Key Switch w/LED	Momentary	10A/250V-15A/125V	SPDT
9202	Key Switch w/Pneumatic	Time Delay	10A/250V-15A/125V	SPDT
9210	Key Switch	Maintained	10A/250V-15A/125V	SPDT
9211	Key Switch w/LED	Maintained	10A/250V-15A/125V	SPDT



ROFU 9220 NARROW US28 & US40

HARDWARE KIT FEATURES

- Unique switch bracket design provides adjustment capability for the switch to accept standard straight cams or clover cams with either 1 1/8" or 1 1/4" cylinder length
- Cylinder locking ring included
- Pinch-on wire connectors - no soldering is required

OPTIONAL FEATURES

- Optional Bi-Colored LED for On/ Off Position.
- Time Delay: Pneumatic Time Delay (**9969**)
Adjustable between 2~60 seconds
Rating: 10 A/125~250 VAC

SPECIFICATION

MODEL	Description	Mode	Rating	Function
9220	Key Switch	Momentary	10A/250V-15A/125V	SPDT
9221	Key Switch w/LED	Momentary	10A/250V-15A/125V	SPDT
9222	Key Switch w/Pneumatic	Time Delay	10A/250V-15A/125V	SPDT
9230	Key Switch	Maintained	10A/250V-15A/125V	SPDT
9231	Key Switch w/LED	Maintained	10A/250V-15A/125V	SPDT

ELECTROMAGNETS

ELECTRIC STRIKES

EXIT DEVICES

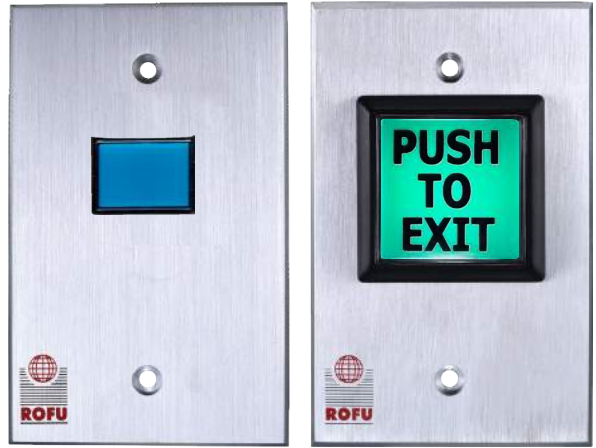
MISC. ACCESS CONTROL

9300 SERIES

9300 REX switches are blue colored DPDT push buttons with durable and tamper-resistant 1/4" thick aluminum cover plates. All are supplied with 2 snake eyes security screws and wrench.

STANDARD FEATURES

- **Standard Plate (4 3/4" x 3" x 1/4")**
- **Narrow Plate (4 3/4" x 1 5/8" x 1/4")**
- UL Recognized Components.
- Blue Colored Push Button
- Please Specify Finish: US28 (aluminum) or US40 (dark anodized bronze)



ROFU 9300 & 9350 STANDARD US28

SPECIFICATION

MODELS	DESCRIPTION	MODE	RATING	FUNCTION
9300	Single Push Button	Momentary	0.5A/250VAC	DPDT
9301	Double Push Button	Momentary	0.5A/250VAC	DPDT
9302	Triple Push Button	Momentary	0.5A/250VAC	DPDT
9303	Single Push Button	Time Delay (9965)	0.5A/250VAC	DPDT
9310	Single Push Button	Maintained	0.5A/250VAC	DPDT
9350	Illuminated w/ 9 Inserts			



OPTIONAL FEATURES

- Time Delay: Electronic Time Delay adjustable relocking time 1~30 seconds
- LED Indicator for On/Off Position (specify per optional parts below)
- Optional Push Button Colors: (please specify) Red for MOM, or Red, Orange and Green for MAIN

9300 OPTIONAL PARTS

PARTS	DESCRIPTION
9990i	12V Light Bulb for Momentary Switches
9990e	12V Light Bulb for Maintained Switches
9991i	24V Light Bulb for Momentary Switches
9991e	24V Light Bulb for Maintained Switches

SPECIFICATION

MODELS	DESCRIPTION	MODE	RATING	FUNCTION
9320	Single Push Button	Momentary	0.5A/250VAC	DPDT
9321	Double Push Button	Momentary	0.5A/250VAC	DPDT
9322	Triple Push Button	Momentary	0.5A/250VAC	DPDT
9323	Single Push Button	Time Delay	0.5A/250VAC	DPDT
9330	Single Push Button	Maintained	12/24VDC	DPDT
9370	Illuminated w/ 9 Inserts	Momentary		

9400 SERIES

9400 REX switches feature 1 1/2" red mushroom buttons with durable and tamper-resistant, 1/4" thick aluminum cover plates. All are supplied with 2 snake eyes security screws and wrench.

STANDARD FEATURES

- **Standard Plate (4 3/4" x 3" x 1/4")**
- **Narrow Plate (4 3/4" x 1 5/8" x 1/4")**
- UL Recognized Components.
- Rating: 3A/240V
- Please Specify Finish: US28 (aluminum) or US40 (dark anodized bronze)



ROFU 9400 STANDARD US28 & US40

SPECIFICATION

MODELS	DESCRIPTION	MODE	RATING	FUNCTION
9400	1 1/2" Mushroom Cap	NO-Momentary	3A/240V	SPDT
9401	1 1/2" Mushroom Cap	NC-Momentary	3A/240V	SPDT
9410	1 1/2" Mushroom Cap	NO-Maintained	3A/240V	SPDT
9411	1 1/2" Mushroom Cap	NC-Maintained	3A/240V	SPDT



ROFU 9400 NARROW US28 & US40

SPECIFICATION

MODELS	DESCRIPTION	MODE	RATING	FUNCTION
9420	1 1/2" Mushroom Cap	NO-Momentary	3A/240V	SPDT
9421	1 1/2" Mushroom Cap	NC-Momentary	3A/240V	SPDT
9430	1 1/2" Mushroom Cap	NO-Maintained	3A/240V	SPDT
9431	1 1/2" Mushroom Cap	NC-Maintained	3A/240V	SPDT

9400 OPTIONAL PARTS

PARTS	DESCRIPTION
9959	Pneumatic Time Delay Adjustable relocking time 2~60 seconds Rating: 10 A/120~240 VAC

ELECTROMAGNETS

ELECTRIC STRIKES

EXIT DEVICES

MISC. ACCESS CONTROL

9600 SERIES

9600 REX switches feature 2 3/8" red mushroom buttons with durable and tamper-resistant, 1/4" thick aluminum cover plates. All are supplied with 2 snake eyes security screws and wrench.

STANDARD FEATURES

- **Standard Plate (4 3/4" x 3" x 1/4")**
- **Narrow Plate (4 3/4" x 1 5/8" x 1/4")**
- UL Recognized Components.
- Rating: 3A/240V
- Please Specify Finish: US28 (aluminum) or US40 (dark anodized bronze)



ROFU 9600 STANDARD US28 & US40

SPECIFICATION

MODELS	DESCRIPTION	MODE	RATING	FUNCTION
9600	2 3/8" Mushroom Cap	NO-Momentary	3A/240V	SPST
9601	2 3/8" Mushroom Cap	NC-Momentary	3A/240V	SPST
9600-01	2 3/8" Mushroom Cap	NO/NC-Momentary	3A/240V	SPST



ROFU 9620 NARROW US28 & US40

9600 OPTIONAL PARTS

PARTS	DESCRIPTION
9959	Pneumatic Time Delay Adjustable relocking time 2~60 seconds Rating: 10 A/120~240 VAC

SPECIFICATION

MODELS	DESCRIPTION	MODE	RATING	FUNCTION
9620	2 3/8" Mushroom Cap	NO-Momentary	3A/240V	SPST
9621	2 3/8" Mushroom Cap	NC-Momentary	3A/240V	SPST

9700 SERIES

9700 REX switches feature 1 1/4" red flush head SPST with metal surround and, and tamper-resistant 1/4" thick aluminum cover plates. All are supplied with 2 snake eyes security screws and wrench.

STANDARD SIZE FEATURES

- **Standard Plate (4 3/4" x 3" x 1/4")**
- **Narrow Plate (4 3/4" x 1 5/8" x 1/4")**
- UL Recognized Components.
- Rating: 3A/240V
- Please Specify Finish: US28 (aluminum) or US40 (dark anodized bronze)



ROFU 9700 STANDARD US28 & US40

SPECIFICATION

MODELS	DESCRIPTION	MODE	RATING	FUNCTION
9700	Metallic Flush Head	NO-Momentary	3A/240V	SPST
9701	Metallic Flush Head	NC-Momentary	3A/240V	SPST



ROFU 9700 NARROW US28 & US40

9700 OPTIONAL PARTS

PARTS	DESCRIPTION
9959	Pneumatic Time Delay Adjustable relocking time 2~60 seconds Rating: 10 A/120~240 VAC

SPECIFICATION

MODELS	DESCRIPTION	MODE	RATING	FUNCTION
9720	Metallic Flush Head	NO-Momentary	3A/240V	SPST
9721	Metallic Flush Head	NC-Momentary	3A/240V	SPST

ELECTROMAGNETS

ELECTRIC STRIKES

EXIT DEVICES

MISC. ACCESS CONTROL

9800

9800 Infrared Sensor Exit Button is a dual-LED illuminated, wave-to-exit device that can directly control electromagnets or electric strikes.

STANDARD FEATURES

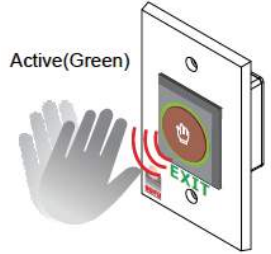
- Standard plate, aluminum alloy finish
- No touch, wave-to-exit
- Dual-LED indicating door status
- Low current draw (40 mA/15 mA)
- Rating: 3 A/12~28 VDC



Standby (Blue)



Active(Green)



SPECIFICATION

DEMSIONS	4 3/4" (L) x 3" (W) x 1 3/4" (D)	RELAY RATING	3 A/12~28 VDC
SENSOR RANGE	0.1 - 10 cm	CONTACTS	NO/COM/NC
OPERATING TEMP.	-20~+55°C (-4°F~+131°F)	LED COLORS	Standby (Blue), Active (Green)
VOLTAGE	12 VDC	CURRENT DRAW	Pull in 40 mA; Holding 15 mA



9860

9860 Standalone Proximity Reader is a keypad and RFID reader device, completes with ROFU 9126T plug-in mini power supply. 9860 has 2 LEDs with 4 colors, a built-in buzzer and can be programmed to relock after 1~99 seconds.

STANDARD FEATURES

- Weatherproof (IP65) keypad
- Tamper proof keypad lockout
- Store up to 1,000 user, 4-6 digit PIN
- 3 access modes:
 - User card only
 - User PIN only
 - User card & PIN combination

SPECIFICATION

DEMSIONS	6 1/8" (L) x 1 3/4" (W) x 5/8" (D)	TRANS. FREQUENCY	EM 125Kz
CONTACTS	1 electronic switch, NO/COM dry contact	SENSOR DIST.	1 9/16" (40 mm)
OPERATING TEMP.	-20~+55°C (-4°F~+131°F)	LED COLORS	Blue/Green/Yellow/Red
VOLTAGE	12~24 VAC/VDC	CURRENT DRAW	Active: 120 mA; Standby: 70 mA/12 VDC Active: 80 mA; Standby: 50 mA/24 VDC

9500 SERIES

9500 Series Micro-Switch Bar is a non-latching push bar, designed to be installed on emergency doors to release magnetic locks.

The 9500-36DE Delayed-Egress Micro-Switch Bar can be programmed to release the magnetic lock after 15 or 30 seconds



STANDARD FEATURES

- Heavy duty aluminum (US28) cover
- 34 1/2" in length, designed for 36" doors
- Double pole micro-switch output
- Special key to lock the push bar in closed or open position

9500 SERIES MODELS & PARTS

MODELS	DESCRIPTION	MODELS	DESCRIPTION
9500-36	Micro-Switch Bar US28	9500XPCB	Replacement PC Board
9500-36 Black	Micro-Switch Bar in Black	9500 Cover	Replacement Top Cover
9500-36DE	Micro-Switch Bar with Delayed Egress	9500X99	Replacement End Caps Set (Top & Bottom)

SPECIFICATION (9500-36)

DEMSIONS	34 1/2" x 2 11/16" x 2 1/4"	SWITCH RATING	5 A/125 VAC
VOLTAGE	12/24 VDC	CONTACTS	NO/COM/NC

ELECTROMAGNETS

ELECTRIC STRIKES

EXIT DEVICES

MISC. ACCESS CONTROL

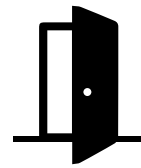
2960

STANDARD FEATURES

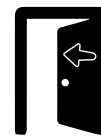
- Field reversible: fail-safe or fail-secure
- Dual voltage 12/24 VDC field selectable
- Stainless steel faceplate
- Suitable for narrow frames
- Changeable nib to suit single or double swing doors
- Can be installed in horizontal or vertical position
- Tested to 1,000,000 cycles

SPECIFICATION

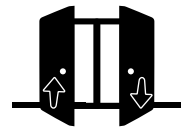
VOLTAGE	12/24 VDC
CURRENT DRAW	280 mA/12 VDC, 140 mA/24 VDC
LOCK MONITORING	SPDT rated 3 A/125 VAC
DIMENSION	8 1/4" x 1" x 1 3/4" 5 15/16" x 1 3/16" x 1/16"
OPERATING TEMP.	14°F to 113°F (-10°C~+45°C)



OUTSWING



INSWING



DOUBLESWING



3810

STANDARD FEATURES

- Field reversible: fail-safe or fail-secure
- Dual voltage 12/24 VDC field selectable
- Door/drawer position monitoring, with built-in reed switch bolt monitoring

SPECIFICATION

VOLTAGE	12/24 VDC
CURRENT DRAW	300 mA/12 VDC, 150 mA/24 VDC
DIMENSION	3 3/16" (H) x 1 1/8" (W) x 1 1/8" (D)
HOLDING FORCE	500 LB

3820

APPLICATIONS

- Fail-secure operation
- Surface & side mount compact electric lock, suitable for cabinets and gym lockers.
- Motor operated, low energy consumption
- Stainless steel locking pin assembly
- Field adjustable relock time delay
- Lock or door status monitoring

SPECIFICATION

VOLTAGE	12 ~ 28 VAC/VDC
CURRENT DRAW	Standby: 69 mA/12 VDC, 69 mA/24 VDC Active: 165 mA/12 VDC, 165 mA/24 VDC
MODE	Fail secure
OPERATION	Motor
DIMENSION	2 3/8" (L) x 2 3/8" (W) x 7/8" (H) 2 3/8" (L) x 13/16" (W) x 1/4" (H)



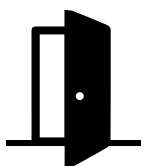
3850

FUNCTION

- Fail-safe operation
- Magnetic bolt status output
- Relock time delay (0/3/6/9 seconds)
- Built-in logical circuitry and door position sensor
- Can be installed in horizontal or vertical position
- Net weight: 1.2 KG
- Tested to 500,000 cycles

SPECIFICATION

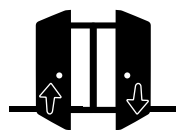
VOLTAGE	12 VDC
CURRENT DRAW	Pull in: 0.9 A ; Holding: 0.3 A
DIMENSION	8" (L) x 11/2" (W) x 1 9/16" (D) 8 15/16" (L) x 11/16" (W) x 11/8" (D)
OPERATING TEMP.	14°F to 113°F (-10°C~+45°C)
BOLT MONITORING	SPDT rated 0.25 A/30 VDC



OUTSWING



INSWING



DOUBLESWING

ELECTROMAGNETS

ELECTRIC STRIKES

EXIT DEVICES

MISC. ACCESS CONTROL

CONVERTERS / MISC. ACCESSORIES

ELECTROMAGNETS

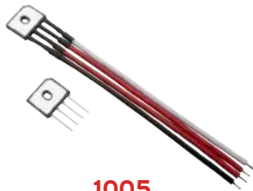


1010
Momentary Rocker Switch
Designed to Mount Under a Desk



9000
Electric Buzzer, Rated for 7~30 VDC

ELECTRIC STRIKES



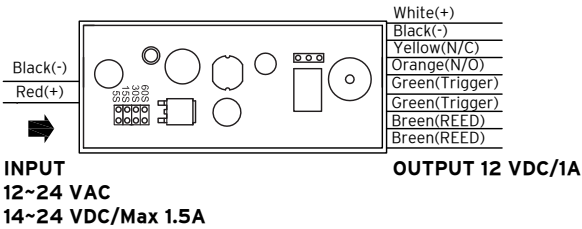
1005
Full Wave Bridge Rectifier, Converts AC to DC (up to 10A)
1006
Full Wave Bridge Rectifier with 6" Leads



9149B
Inline Controller with Buzzer,
Drops from 12~24 VAC/VDC to 12 VDC, 1A

EXIT DEVICES

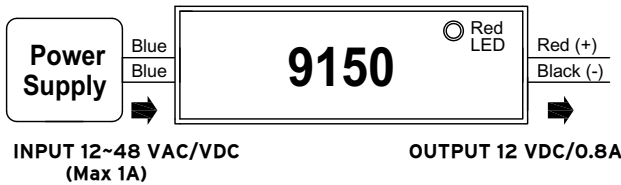
9149TD In-line Voltage with Delay Time



9149TD
Inline Controller with Buzzer and Time Delays
(5/15/320/60s)



1004
Full Wave Bridge Rectifier



9150
Inline Controller, drops from up to 48 VAC to 12 VDC

MISC. ACCESS CONTROL



9126T
Plug In Mini Power Supply, 12 VDC / 1.5A with Time Delay

MINI PLUG IN POWER SUPPLY

MODEL	9126T
INPUT	100~240 VAC, 50/60 Hz
OUTPUTS	1) 12 VDC, 1.5A 2) 12 VDC, 1.0A
TIME DELAY	0~45 seconds
DIMENSION	2 7/8" (L) X 5 1/16"(W) x 2" (D)

TRANSFORMERS / POWER SUPPLY UNITS



10305-LA

2-Pin Power Transfer

10306-LA

3-Pin Power Transfer

POWER TRANSFERS

MODELS	10305-LA	10306-LA
CONTACT	2 PIN	3 PIN
RATING	1.5 A/42 V	
DIMENSION	71(L)x13(W)x8(D) 71(L)x13(W)x27mm(D)	
USE	Power transfer from frame to door leaf	

VAC PLUG IN TRANSFORMERS

MODELS	9112	9116	9124
INPUT	120 VAC/ 60 Hz		
OUTPUT	12 VAC 1.25 A	16 VAC 0.8 A	24 VAC 0.42 A
UL Class	Class 2		



9116

9112 / 9124



9112D / 9124D

VDC PLUG IN TRANSFORMERS

MODELS	9112D	9124D
INPUT	100~240 VAC, 50~60 Hz	
OUTPUT	12 VDC, 1.1A	24 VDC, 1.1A
UL Class	Class 2	

POWER SUPPLY

MODELS	9102-12D UL	9102-24D
INPUT	110 VAC/60 Hz	
OUTPUT	12 VDC, 2.0A	24 VDC, 1.0A
UL Listing	UL Listed	
DIMENSION	8 7/16"(L) x 8 7/8"(W) x 3 1/8"(D)	



9102-12D UL / 9102-24D

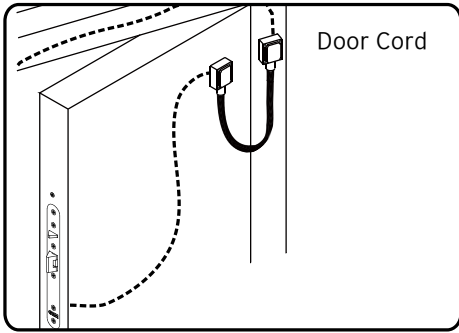
ELECTROMAGNETS

ELECTRIC STRIKES

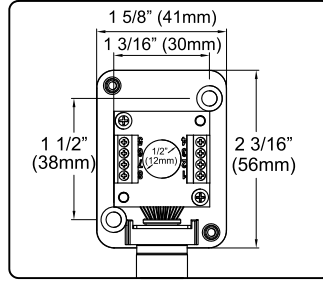
EXIT DEVICES

MISC. ACCESS CONTROL

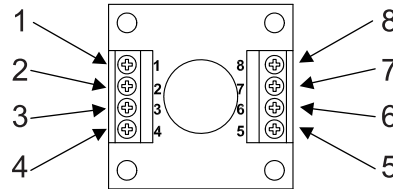
DOOR CORDS



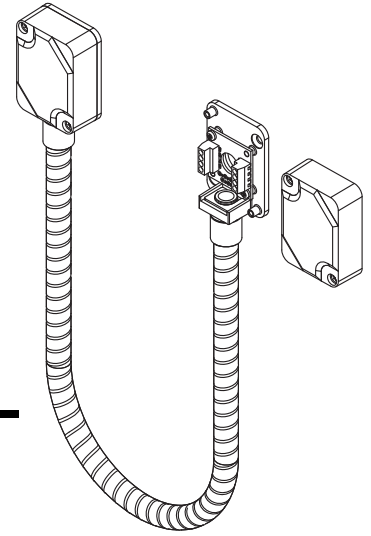
The door cord protects the wiring from damage at the door hinge.



Wiring Diagram



10320HD PCB



 <p>10318 16" Door Cord, 5/16" Inside Diameter</p>	 <p>10318-7 7 1/4" Door Cord, 1/4" Inside Diameter</p>
 <p>10320HD US28 Heavy Duty Stainless Steel Door Cord (US28)</p>	 <p>10320HD US40 Heavy Duty Stainless Steel Door Cord (US40)</p>
 <p>10320HD PCB US28 Heavy Duty Stainless Steel Door Cord with PC Board (US28)</p>	 <p>10320HD PCB US40 Heavy Duty Stainless Steel Door Cord with PC Board (US40)</p>

- **Credit Terms**

Credit terms are net thirty (30) days from date of invoice to customers with approved credit. Interest at the rate of 1.5% per month (APR 18%) may be charged on all past due accounts. In the event of failure to pay any amount due ROFU® Security International Corporation, all collection costs and/or attorney's fees incurred in attempts to collect any such amounts shall be paid by customer.

- **Title / Liability**

Title passes to the customer upon delivery of merchandise to the carrier. Loss and/or damage claims must be filed with the delivering carrier within 48 hours of delivery. Packaging and packing material must be retained for use with the claims.

- **Return of Defective Items**

A Return Authorization Number (RA#) must be obtained from ROFU® before any item(s) can be returned. The original invoice number and purchase order number is required for all returns. Additional information may be required and will be determined at the time of the request. The RA# must be clearly marked on the outside of the box. Customer must prepay shipping charges and insurance on all returned items. The RA# is valid for 30 days after authorization. Once received by ROFU the returned items will be evaluated and either repaired (if possible) or replaced (when necessary) and shipped back to the customer. If it is determined that there is no defect or that the defect is the cause of misuse or damage caused after sale, the item(s) will be returned as-is. No credits will be issued for defective returns.

- **Return of Unused Items for Credit**

All new/unused items returned for credit must be done within 90 days of purchase. The original invoice and purchase order number is required for all returns. The minimum restocking fee is 30%; additional fees may apply and will be determined upon evaluation. Items returned must be in brand-new, unused and re-sellable condition or credit will not be issued.

- **Special Order Returns**

Return of Special or Customized Orders will not be authorized. These include, but are not limited to, special finishes or modifications that alter the original interior or exterior of the item(s).

- **Credit Balance**

All credits issued will result in a credit balance on a customer's account and must be used as credit against future purchases. No check will be issued to pay off a credit balance.

- **Minimum Orders**

A handling fee of \$20.00 will be added to all orders under \$100.00.

- **Product Change**

ROFU® reserves the right to discontinue and/or make modifications to any of its products at any time without notice and without incurring any obligations on models built prior to the change. ROFU® will do our best to inform of any major changes at the time a purchase order is received.

- **Pricing**

ROFU® reserves the right to change pricing on any item(s) without prior notice. Orders will be billed at the prices in effect at the time of shipment, except when a valid written quote is in place.

- **Quotes**

All requests for quotation of price and availability of products will be issued a written quote and remain in effect for 15 days.

- **Deliveries**

Delivery times is based on our best estimate, and can not be guaranteed or legally binding.

- **Trademark**

ROFU® is a registered trademark of ROFU® Security International Corporation in many countries and may not be used without the prior written consent of ROFU® Security International Corporation.

ROFU® Electromagnetic Lock Limited Lifetime Warranty / ROFU Electric Strike Warranty

ROFU® Security International Corporation warrants its products to be free from defects in material and workmanship when they have been installed in accordance with ROFU's® instructions and maintained and used and not been modified or tampered with. ROFU® Security International Corporation does not assume any responsibility for damage to persons or property due to improper care, installation, storage, abuse, or acts of God. This warranty is limited to the original purchaser and is not transferable.

ROFU's® liability is limited to the repair or at ROFU's® option the replacement of the defective product or part thereof, providing said products are used within the specified ratings and applied in accordance with good engineering practice, and said products are proved by our examination to be defective and returned to us transportation prepaid. Any repaired or replaced product shall be warranted to the original purchaser only for the duration of the un-expired portion of the original warranty. ROFU® shall in no event be liable whether in contract, tort, or negligence for any direct, indirect, in contract, special, incidental, economic, consequential or collateral damages of any kind sustained from any cause. ROFU® is not responsible for any charges incurred for field service or installation. This warranty does not extend to any of our products which have been subject to misuse, neglect, accident, improper application or installation, nor shall it extend to material which has been altered or repaid outside the factory.

ROFU® ELECTROMAGNETIC LOCK LIMITED LIFETIME WARRANTY: ROFU® warrants only to the end user of the electromagnetic locks that the magnetic lock will be free from defects in material and workmanship for the lifetime of such electromagnetic lock from the date of shipment.

ROFU® PC BOARD WARRANTY: ROFU® warrants only to the end user of electromagnetic locks that the PC Board will be free from defects in material and workmanship for a period of three years from the date of shipment. PC Board of delayed egress electromagnets are covered by a one-year warranty.

ROFU® ELECTRIC STRIKE & ACCESSORIES WARRANTY: ROFU's® warranty shall expire three years from the date of shipment for all electric strikes (except for 1500 Series Strikes) and one year from the date of shipment for 1500 Series Strikes and all other catalog items and for electronic components.

As a condition for the performance of this warranty, a purchaser shall upon first discovery of any claimed defect deliver the subject merchandise or part asserting a claim pursuant to this warranty within 30 days after first discovery of any claimed defect to: ROFU® Security International Corporation. A Return Authorization Number (RA#) must be obtained from ROFU® before product can be returned. To obtain a Return Authorization Number (RA#) contact ROFU® at 800-255-7638.

Correction of defects in the manner and under the conditions stated above shall constitute fulfillment of all our obligations and liabilities to any person with respect to the covered products, whether based on contract, negligence, strict liability or otherwise. No person or entity is authorized to create on behalf of ROFU® any other obligation or liability to any person relating to the covered products.

ROFU® shall not be liable to the purchaser or anyone else for damages, including but not limited to consequential damages and damages by reason of injury to any person, due to any defect in or malfunction of the product or any part or parts thereof, or for any other reason.

EXCEPT AS STATED ABOVE, ROFU® MAKES NO WARRANTIES WHATSOEVER EITHER EXPRESS OR IMPLIED AS TO ANY MATTER INCLUDING WITHOUT LIMITATION THE CONDITION OF ITS PRODUCTS, THEIR MERCHANTABILITY OR THEIR FITNESS FOR ANY PARTICULAR PURPOSE. DISCLAIMERS / ROFU® POLICIES



PRODUCT DURABILITY

QUALITY

TECHNICAL EXPERTISE

EXCELLENT CUSTOMER SERVICE

**6818 S 220th ST
Kent, WA 98032 USA**

**(253) 922-1828
www.ROFU.com**

OrderEntry@ROFU.com

ROFU Security International Corp.
© 2020 All Rights Reserved