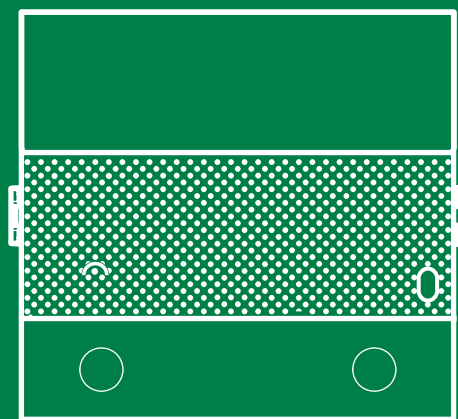
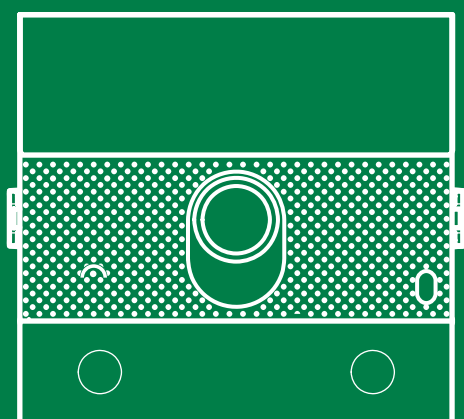


EN

TECHNICAL
MANUAL



Audio/video module for Simplebus1 Ultra
Art. UT1020

Simplebus1 Ultra remote camera audio module
Art. UT1010VC

 **Comelit**[®]
Passion. Technology. Design.

Warning

Intended use

This Comelit product has been designed and manufactured for use in the creation of audio and video communication systems in residential, commercial, industrial and public buildings.

Installation

All activities connected to the installation of Comelit products must be carried out by qualified technical personnel, with careful observation of the indications provided in the Manuals / Instruction sheets supplied with those products.

Wires

Disconnect the power supply before carrying out any operations on the wiring.

Use wires with a cross-section suited to the distances involved, observing the instructions provided in the system manual.

We advise against running the system wires through the same duct as power cables (230V or higher).

Safe usage

To ensure Comelit products are used safely:

- carefully observe the indications provided in the Manuals / Instruction sheets,
- make sure the system created using Comelit products has not been tampered with / damaged.

Maintenance

Comelit products do not require maintenance aside from routine cleaning, which should be carried out in accordance with the indications provided in the Manuals / Instruction sheets.

Any repairs must be carried out:

- for the products themselves, exclusively by **Comelit Group S.p.A.**,
- for the systems, by qualified technical personnel.

Disclaimer

Comelit Group S.p.A. does not assume any responsibility for

- any purpose other than the intended use,
- failure to observe the indications and warnings contained in this Manual / Instruction sheet.

Comelit Group S.p.A. reserves the right to change the information provided in this Manual / Instruction Sheet at any time and without prior notice.

Table of contents

Warning	2
Description.....	4
UT1020	4
UT1010VC	4
Installation notes (Art. UT1020)	6
Technical characteristics.....	7
Art. UT1020	7
Art. UT1010VC	8
Installation.....	9
Flush-mounted installation composition table.....	9
Surface-mounted installation composition table.....	9
Flush-mounted installation.....	10
Removing nameplates (2A) / module (2B).....	11
Installation with side-by-side boxes.....	12
Wall-mounted installation.....	13
Removing nameplates (2A) / module (2B).....	14
Installation with side-by-side boxes.....	15
Connections.....	16
Connections for UT1020, UT1010VC	16
Variants	16
Remote camera connection (Art. UT1010VC only).....	17
Module connection.....	18
Connection of button modules Art. UT9200.....	18
Connection of Touch-screen module Art. UT9270	18
Connection of numeric keypad module Art. UT9279M	19
Programming	20
Configure button type (single/dual).....	20
Address button modules	20
Program call addresses.....	20
Smart programming of consecutive addresses	21
Programming of specific addresses.....	22
Special programming via DIP-switch	23
Special programming table.....	24
Twilight sensor.....	26
Camera LED lighting and button backlighting management.....	26
Checking twilight sensor operation	27
Adjusting the brightness of the button LEDs and the camera light ..	28
Light-me function	29
Light-me function behaviour on the basis of the LED backlighting mode.....	29
Replacing the audio/video module with programming restore backup.....	30
Configuring via PC.....	31
Errors and indications.....	31
System performance and layouts	31
Addressing table.....	32

Description



UT1020

Audio/video module for Ultra entrance panel, Simplebus1 system. For use in systems with power supply unit art. 1595 and art. 4888CU. Wide-angle colour video camera (field of vision: 120° horizontal, 90° vertical)



UT1010VC

Audio module designed for connection of an analogue remote camera with PAL standard for Ultra entrance panel, Simplebus1 system. For use in systems with power supply unit art. 1595 and art. 4888CU.

Easy to install and simple to configure, thanks to the smart programming of call buttons.

Twilight sensor for automatic nameplate backlighting switch-off during daylight hours.

Omnidirectional digital microphone and double loudspeaker for high-fidelity audio.

Audio-visual indications for disabled individuals assistance request can be activated via programming.

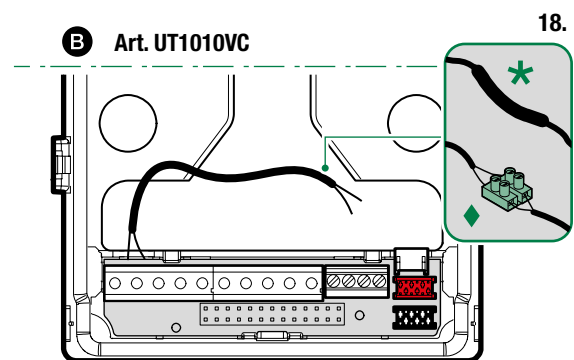
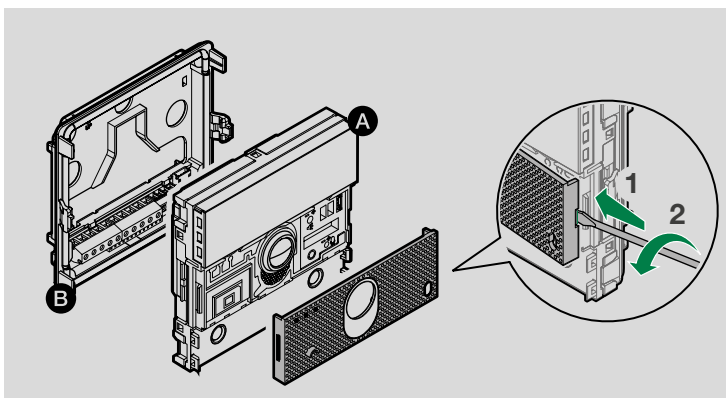
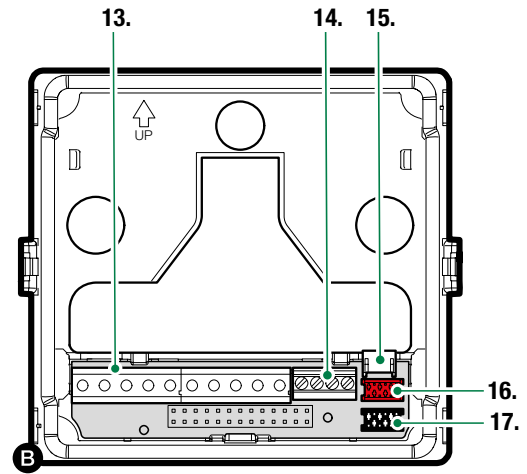
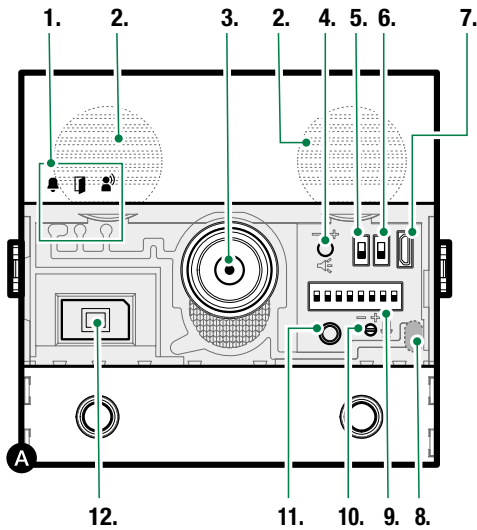
Facility for 2 call buttons. To be finished with cap, single button or dual button made using aluminium or professional grade plastic treated to prevent yellowing and dulling.

Adjustment and programming can take place without removing the module.

Dimensions: 1 Ultra module.

ULTRA: the new and most technologically advanced entrance panel that is perfectly easy to install.

Available in flush-mounted (10 mm protrusion from the wall) or surface-mounted (just 35 mm protrusion from the wall) variants.



1. Indicator LEDs

- call sent (green) / system busy (red)
- lock-release enabled
- audio enabled

2. Loudspeakers

3. Colour video camera (with Art. UT1020 only)

4. Speaker volume control #

5. S1 Button programming selector

6. S2 Special programming selector

7. Micro USB input for programming via computer

8. Twilight sensor

9. Addressing and programming Dip Switches

10. Microphone volume control #

11. Programming confirmation button #

12. Digital microphone

13. Terminal block for connection:

- RTE** programmable RTE (local lock-release input) or DO input (door open indication)
- GND** RTE or DO input reference negative
- SE** door lock reference negative
- NO NC COM** relay contacts
- V- V+** power supply
- LL** bus line connection

14. Ethernet terminal block, only for use in case of additional modules with LAN

15. Connector for additional modules with LAN

16. 17. Connector for additional module connection

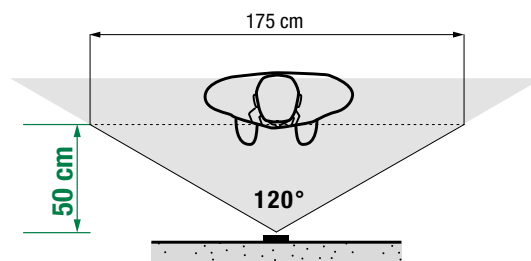
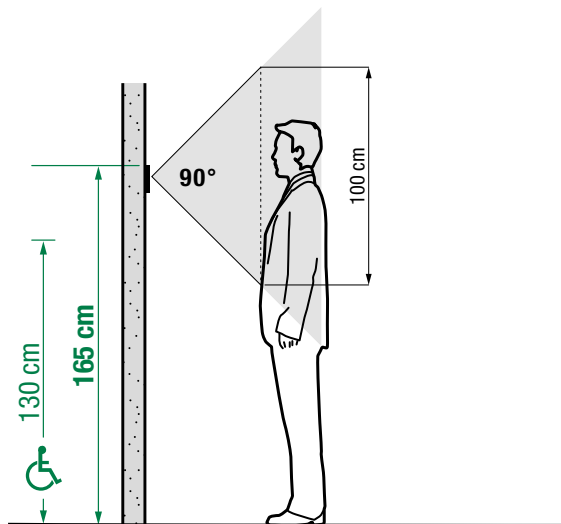
18. Remote camera connection (with Art. UT1010VC only):

- ◆ in flush-mounted installations, use the terminal;
- ★ in surface-mounted installations, solder the wires and use the heat-shrink sheath.

Use screwdriver supplied



Installation notes (Art. UT1020)



The camera must not be installed in front of light sources, or in places where the filmed subject is against the light. In dim environments, we recommend additional lighting is provided.

Technical characteristics

Art. UT1020

GENERAL DATA	
Type	Modular
Product height (mm)	90
Product width (mm)	100
Product depth (mm)	35
Product weight (g)	275
Product colour	Black RAL9005, Transparent, Aluminium
Material	Polycarbonate, Aluminium alloy
Flush mounting	Yes, with specific accessory
Surface mounting	Yes, with specific accessory
COMPATIBLE SYSTEMS	
Simplebus 2 audio/video with power supply unit art. 4888CU	Yes
AUDIO SPECIFICATIONS	
Microphone	MEMS digital audio sensor, omnidirectional
Loudspeaker	28 mm (Ø), 8 Ohm, 1W (2)
CAMERA FEATURES	
Camera	Colour
Sensor type	1/3" CMOS
Lens (mm)	1.79
Viewing angle (H x V - °)	120 x 90
Sensitivity (lux)	0.45
Resolution (H x V - pixel)	1288 x 968
ELECTRICAL SPECIFICATIONS	
Type of power supply	External power supply
Power supply voltage	33 VDC
Absorption in standby (W)	1.5
Maximum absorption (W)	6
HARDWARE CHARACTERISTICS	
Call type	Buttons
Type of buttons	Mechanical
Number of buttons (no.)	2
Backlighting colour	White, Off
Terminals	L L V+ V- COM NC NO SE GND RTE TX- TX+ RX- RX+
Number of inputs (no.)	1
Number of outputs (no.)	2
Communication port	Micro-USB
Twilight sensor	Yes
SETTINGS	
Loudspeaker volume	Yes
Mic volume	Yes
Backlighting brightness	Yes
ENVIRONMENTAL AND CONFORMITY SPECIFICATIONS	
Operating temperature (°C)	-25 to 55
Operating humidity (max RH - %)	25 to 95
Environmental class	III
Conformity and Certifications	RoHS II - 2011/65/EU (EN 50581:2012), EMC 2014/30/EU (EN 61000-6-1:2007, EN 61000-6-3:2007+A1:2011)
MAIN FUNCTIONS	
Lock-release	Yes
Number of auxiliary relays (no.)	1
Input for local key button	Yes
Input for door open signal	Yes
System status visual indications	Yes
System status audio indications	Yes
System status voice synthesis	Yes

Art. UT1010VC

GENERAL DATA

Type	Modular
Product height (mm)	90
Product width (mm)	100
Product depth (mm)	35
Product weight (g)	275
Product colour	Black RAL9005, Transparent, Aluminium
Material	Polycarbonate, Aluminium alloy
Flush mounting	Yes, with specific accessory
Surface mounting	Yes, with specific accessory

COMPATIBLE SYSTEMS

Simplebus 2 audio/video with power supply unit art. 4888CU	Yes
--	-----

AUDIO SPECIFICATIONS

Microphone	MEMS digital audio sensor, omnidirectional
Loudspeaker	28 mm (Ø), 8 Ohm, 1W (2)

ELECTRICAL SPECIFICATIONS

Type of power supply	External power supply
Power supply voltage	33 VDC
Absorption in standby (W)	1.5
Maximum absorption (W)	4

HARDWARE CHARACTERISTICS

Call type	Buttons
Type of buttons	Mechanical
Number of buttons (no.)	2
Backlighting colour	White, Off
Terminals	L L V+ V- COM NC NO SE GND RTE TX- TX+ RX- RX+
Number of inputs (no.)	1
Number of outputs (no.)	2
Communication port	Micro-USB
Twilight sensor	Yes

SETTINGS

Loudspeaker volume	Yes
Mic volume	Yes
Backlighting brightness	Yes

ENVIRONMENTAL AND CONFORMITY SPECIFICATIONS

Operating temperature (°C)	-25 to 55
Operating humidity (max RH - %)	25 to 95
Environmental class	III
Conformity and Certifications	RoHS II - 2011/65/EU (EN 50581:2012), EMC 2014/30/EU (EN 61000-6-1:2007, EN 61000-6-3:2007+A1:2011)

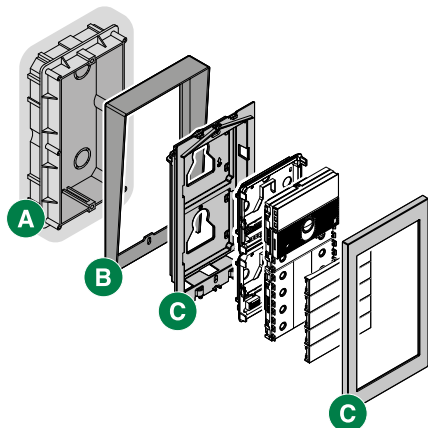
MAIN FUNCTIONS

Lock-release	Yes
Number of auxiliary relays (no.)	1
Input for local key button	Yes
Input for door open signal	Yes
System status visual indications	Yes
System status audio indications	Yes
System status voice synthesis	Yes


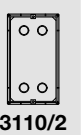
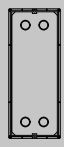
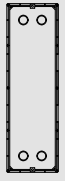

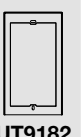

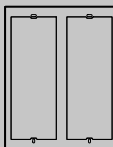
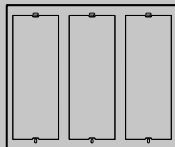

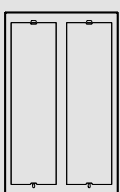


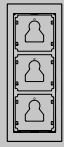
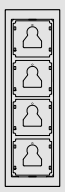
Installation

The entrance panel is available in flush-mounted or surface-mounted variants:

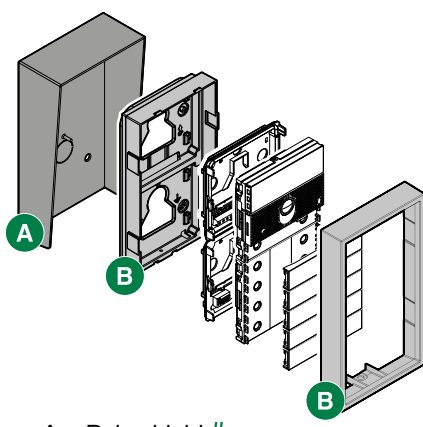
Flush-mounted installation composition table




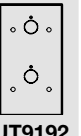
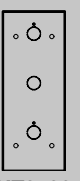
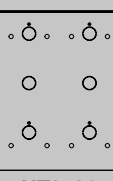
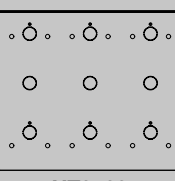
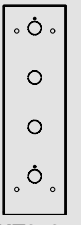
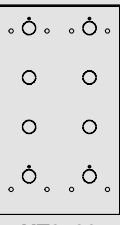

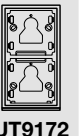
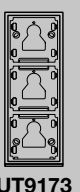
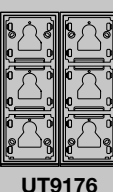
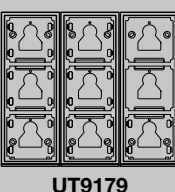
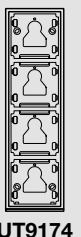
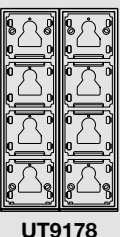
A = Flush-mounted box
 B = Rain shield #
 C = Flush-mounted module holder with finishing frame

Flush-mounted box									
	3110/1	3110/2	3110/3			3110/4			
	Rain shield								
		UT9181	UT9182	UT9183	UT9186	UT9189		UT9184	UT9188
Module holder/ finishing frame									
		UT9161	UT9162	UT9163			UT9164		

Surface-mounted installation composition table

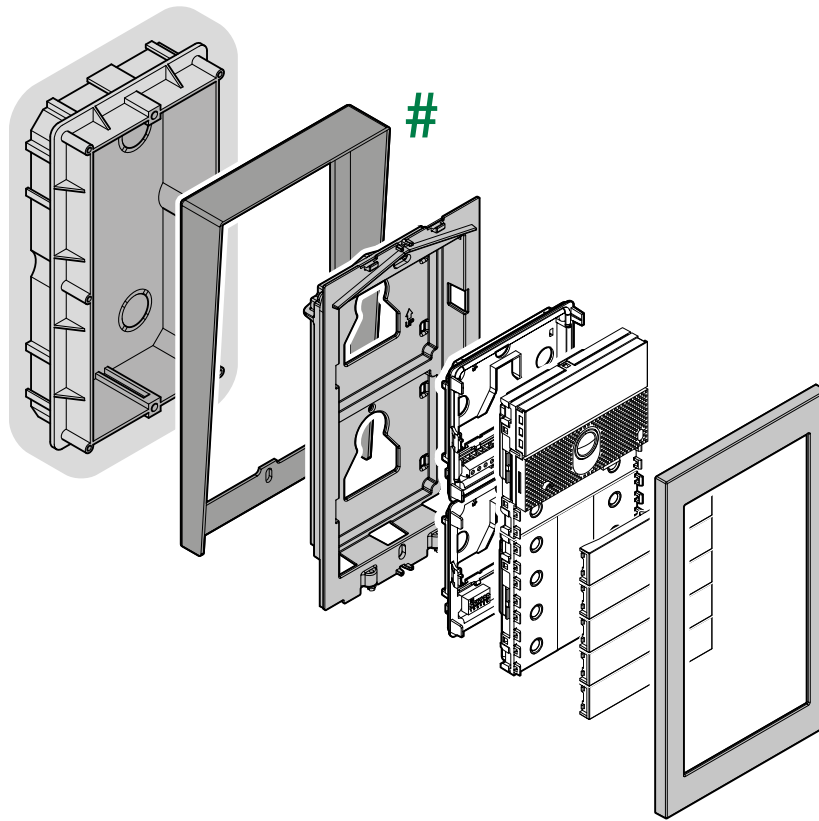


A = Rain shield #
 B = Surface-mounted housing with frame

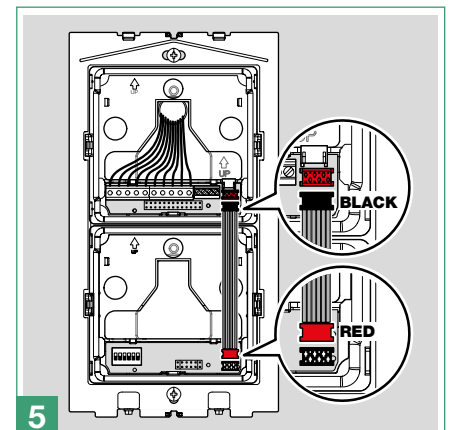
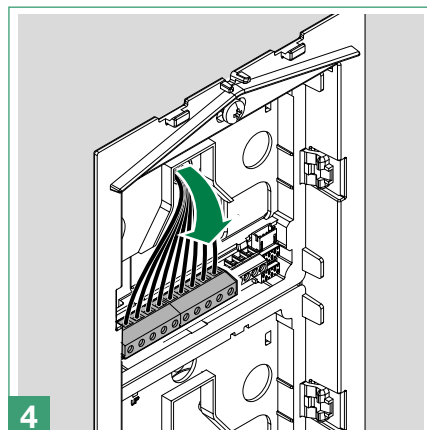
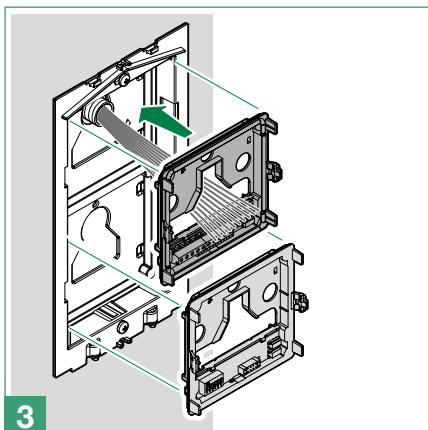
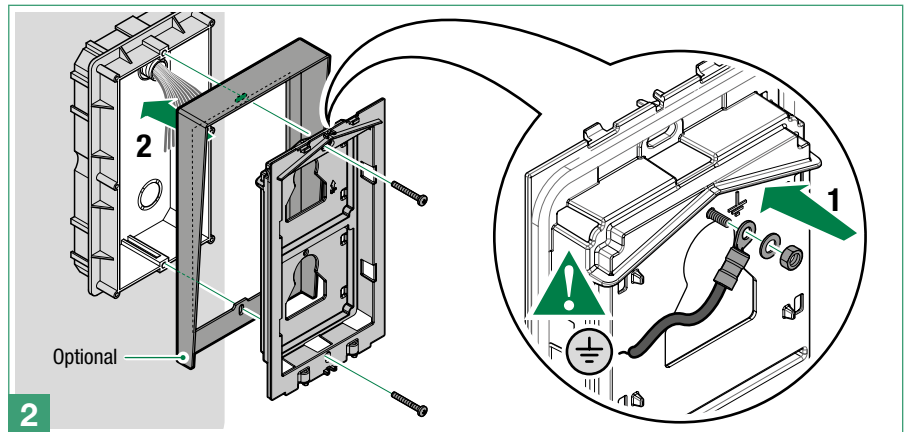
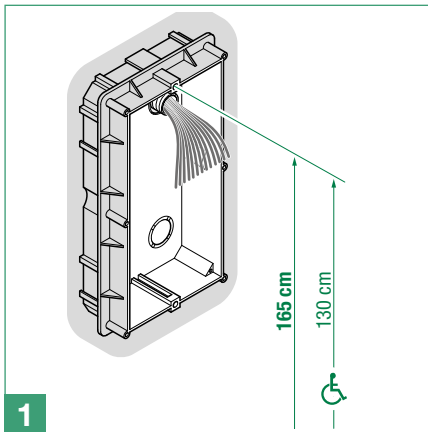
Rain shield									
	UT9191	UT9192	UT9193	UT9196	UT9199		UT9194	UT9198	
	Housing/frame								
		UT9171	UT9172	UT9173	UT9176	UT9179		UT9174	UT9178

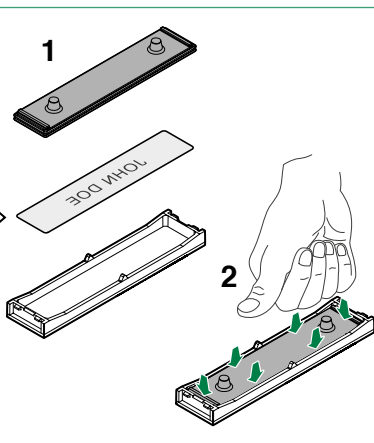
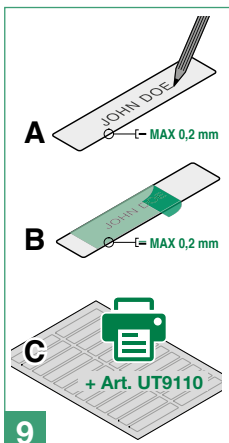
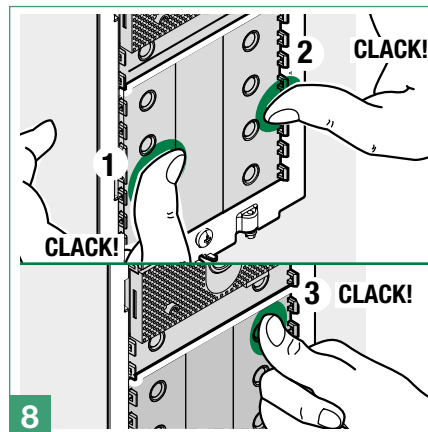
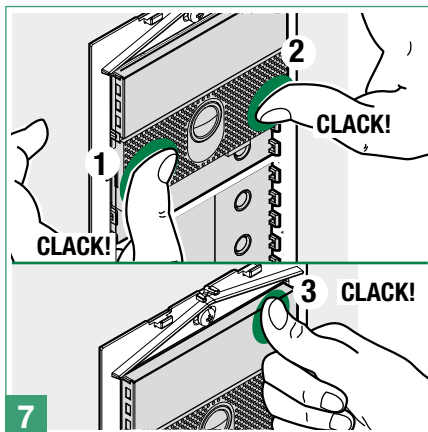
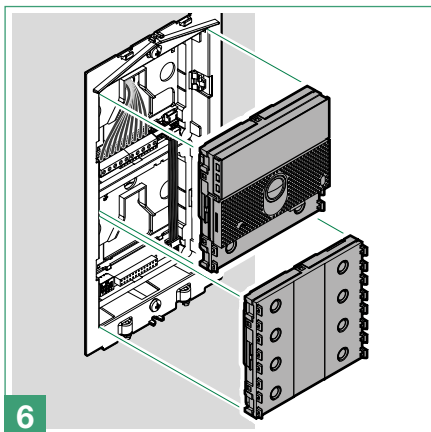
Optional

Flush-mounted installation



Optional

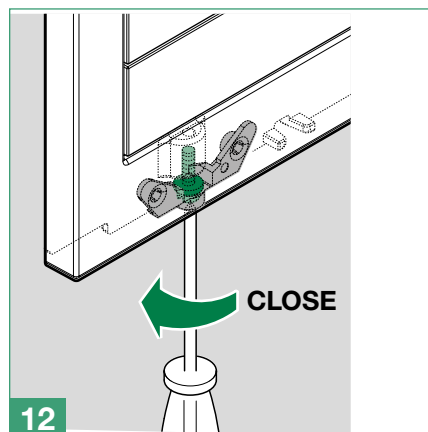
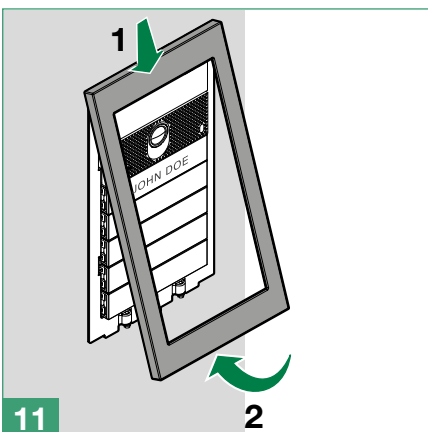
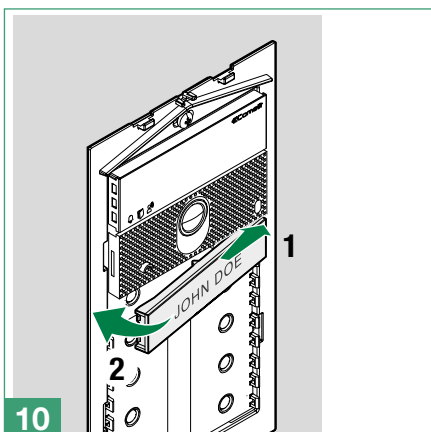




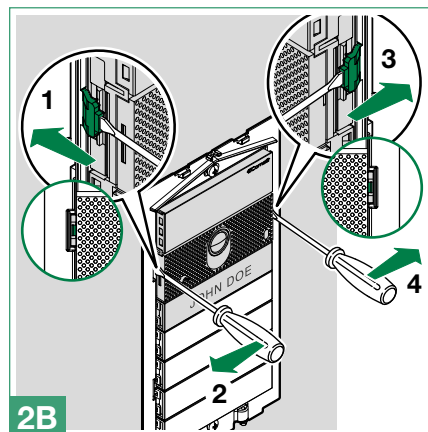
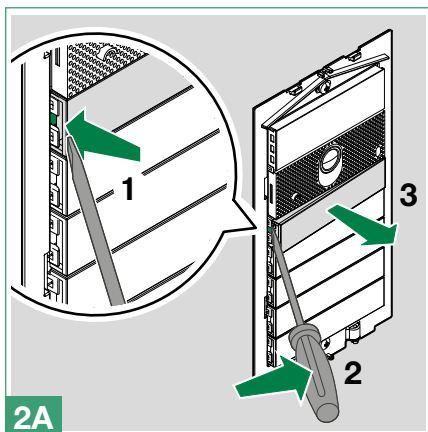
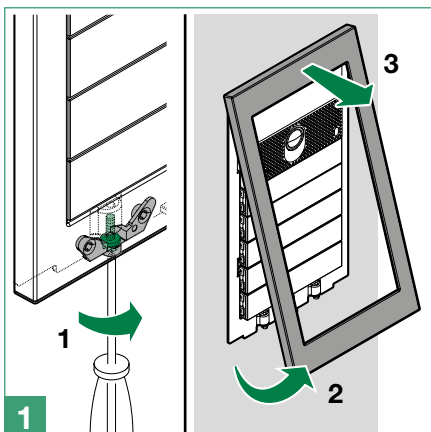
The button has a nameplate which can be written on (A); alternatively, an adhesive label can be applied (B).

The total thickness of the nameplate + adhesive label must not exceed 0.2 mm.

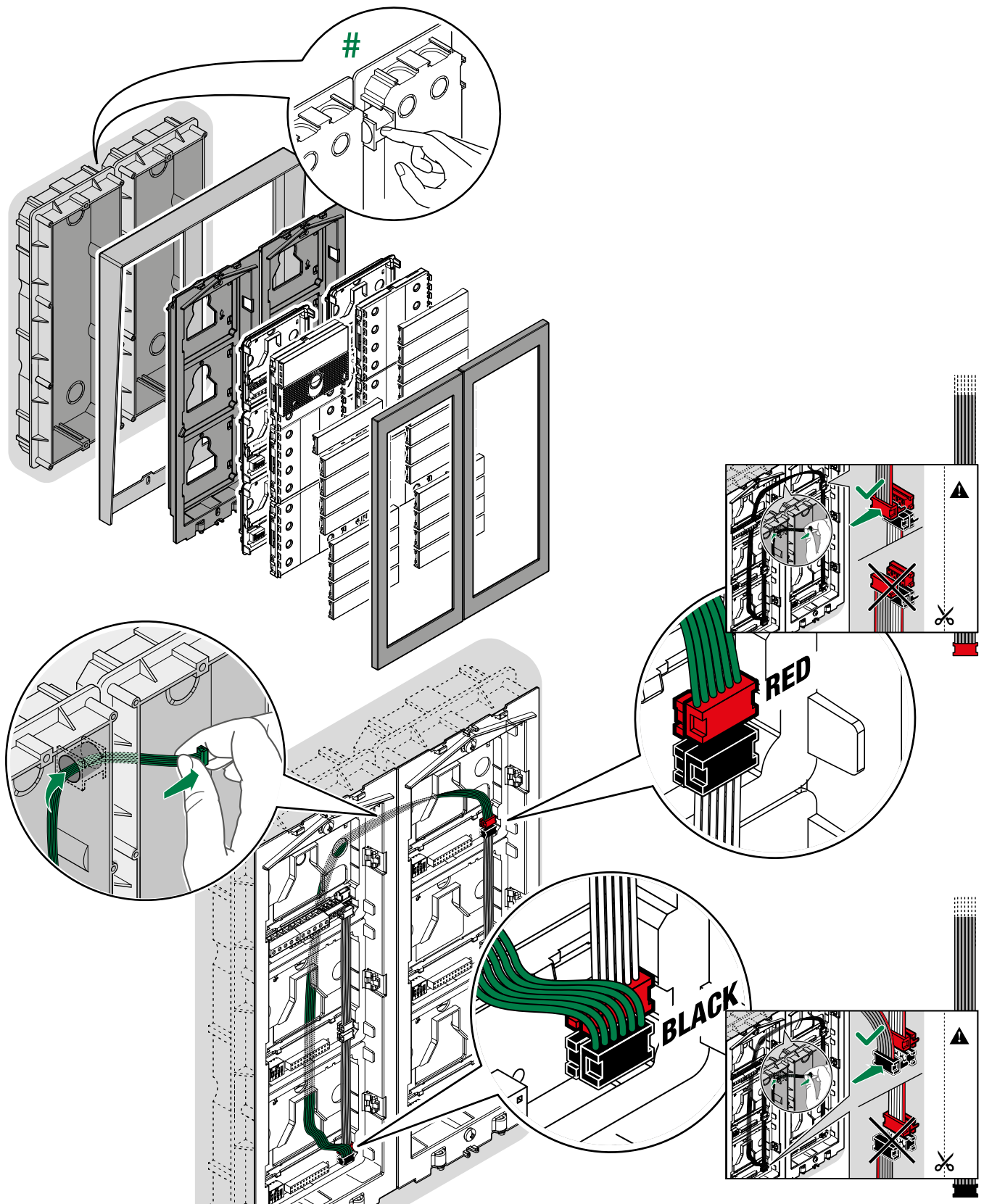
You can visit the website pro.comelitgroup.com to download the PDF to print the entrance panel name cards, using the adhesive pre-cut sheets (C) available in our catalogue (Art. UT9110)



Removing nameplates (2A) / module (2B)

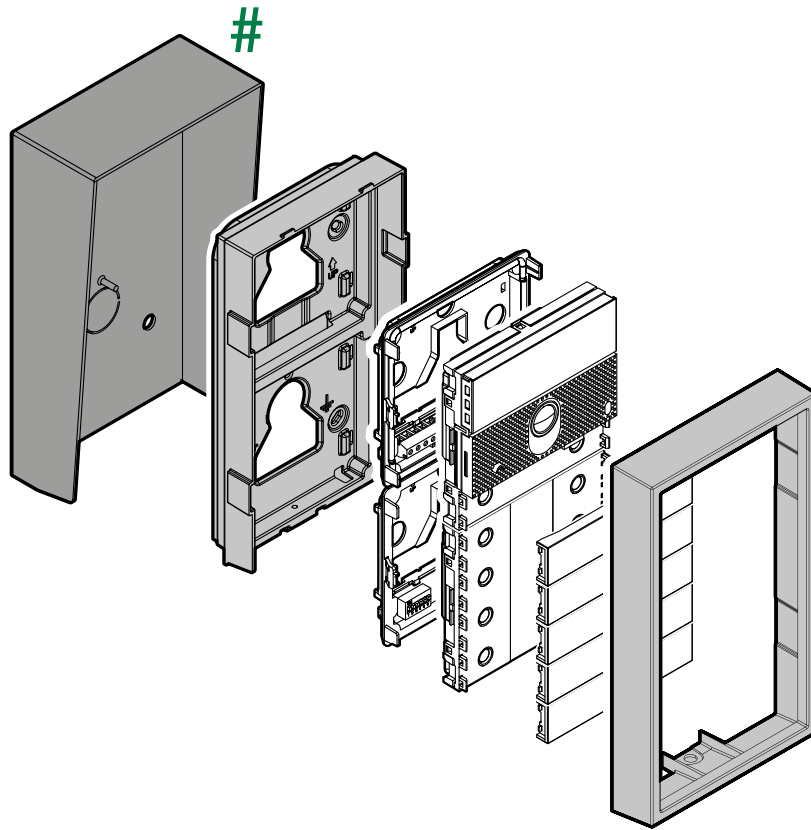


Installation with side-by-side boxes

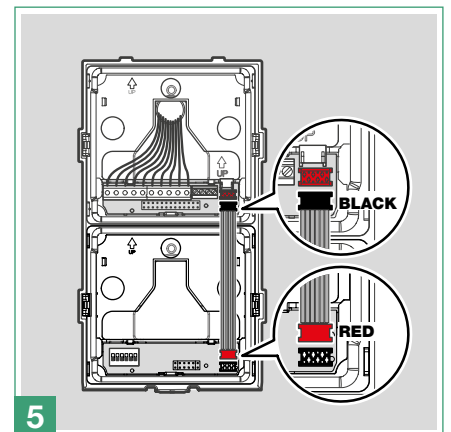
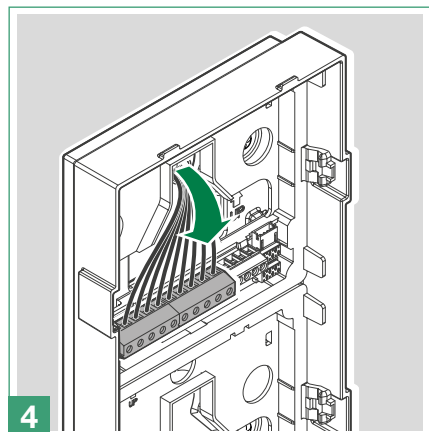
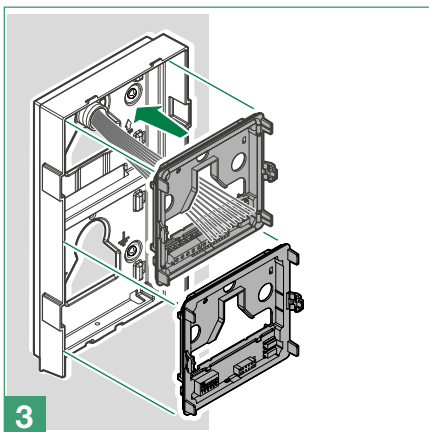
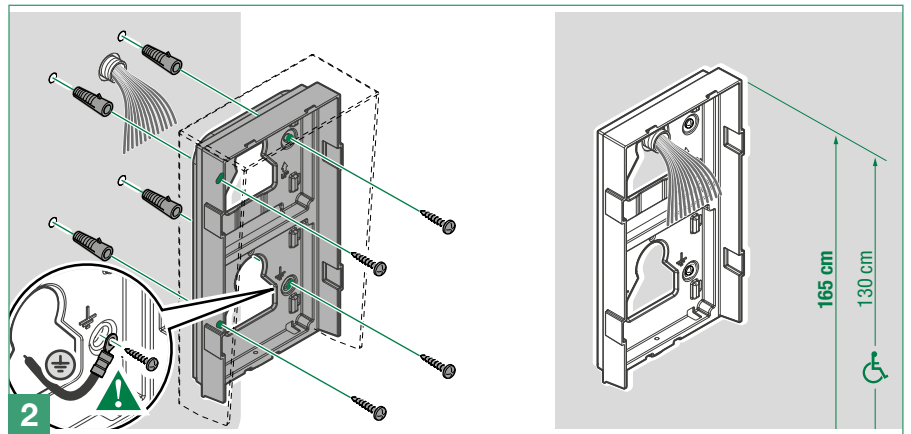
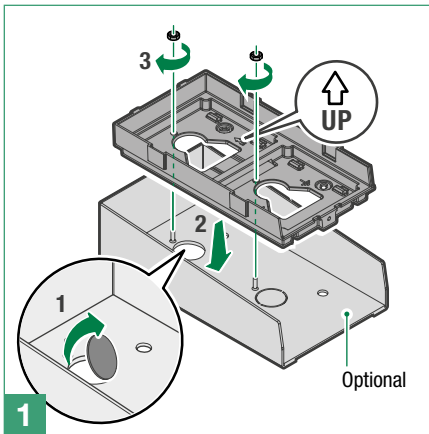


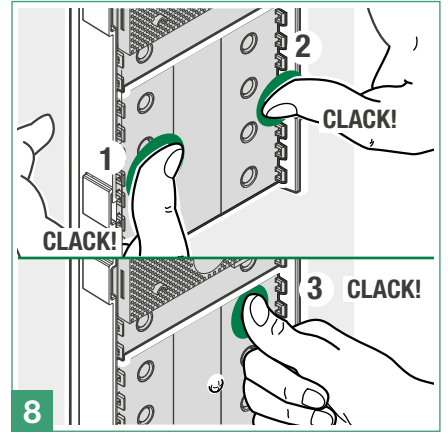
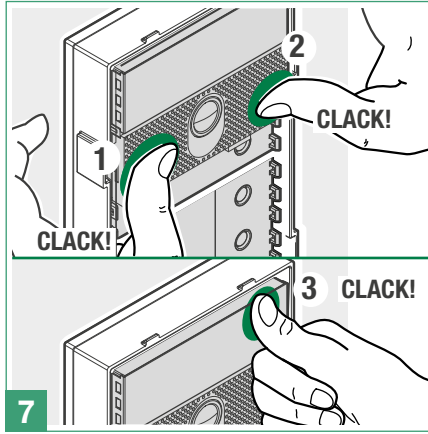
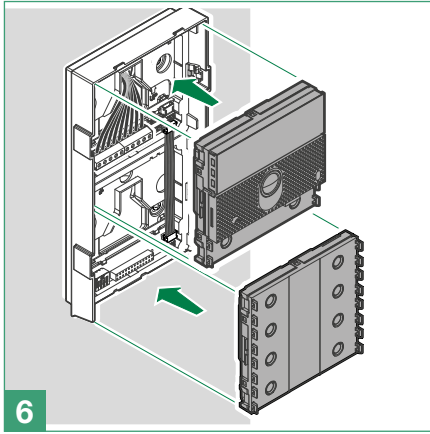
Before installing the boxes in the wall, fit the spacers.

Wall-mounted installation



Optional

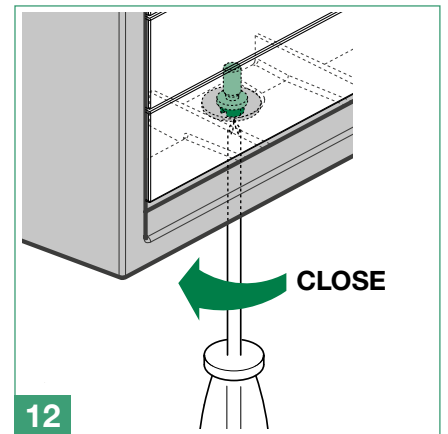
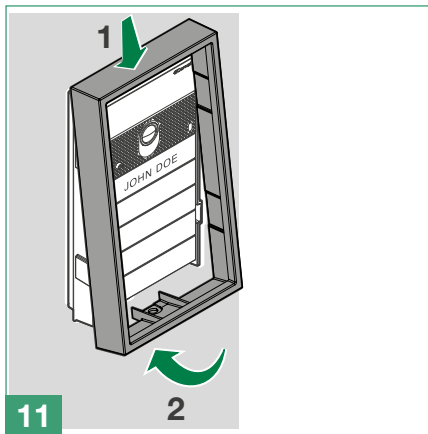
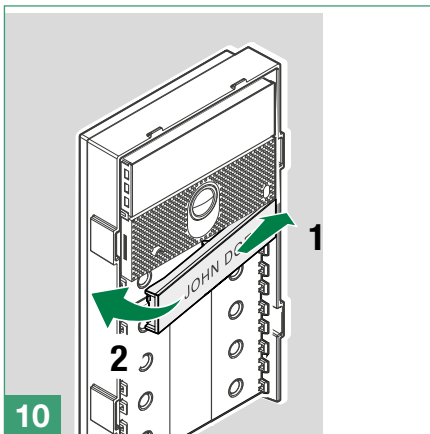




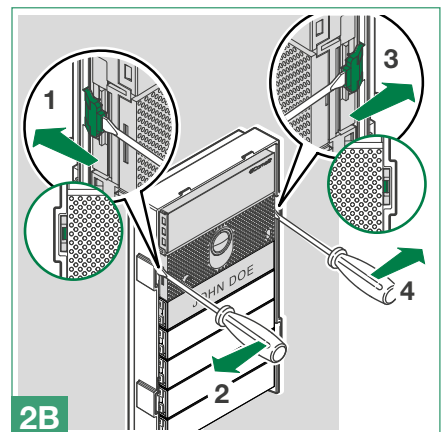
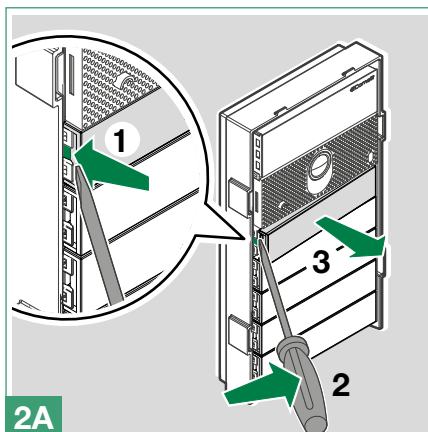
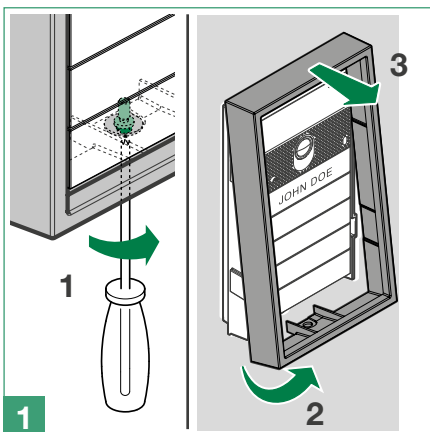
The button has a nameplate which can be written on (A); alternatively, an adhesive label can be applied (B).

The total thickness of the nameplate + adhesive label must not exceed 0.2 mm.

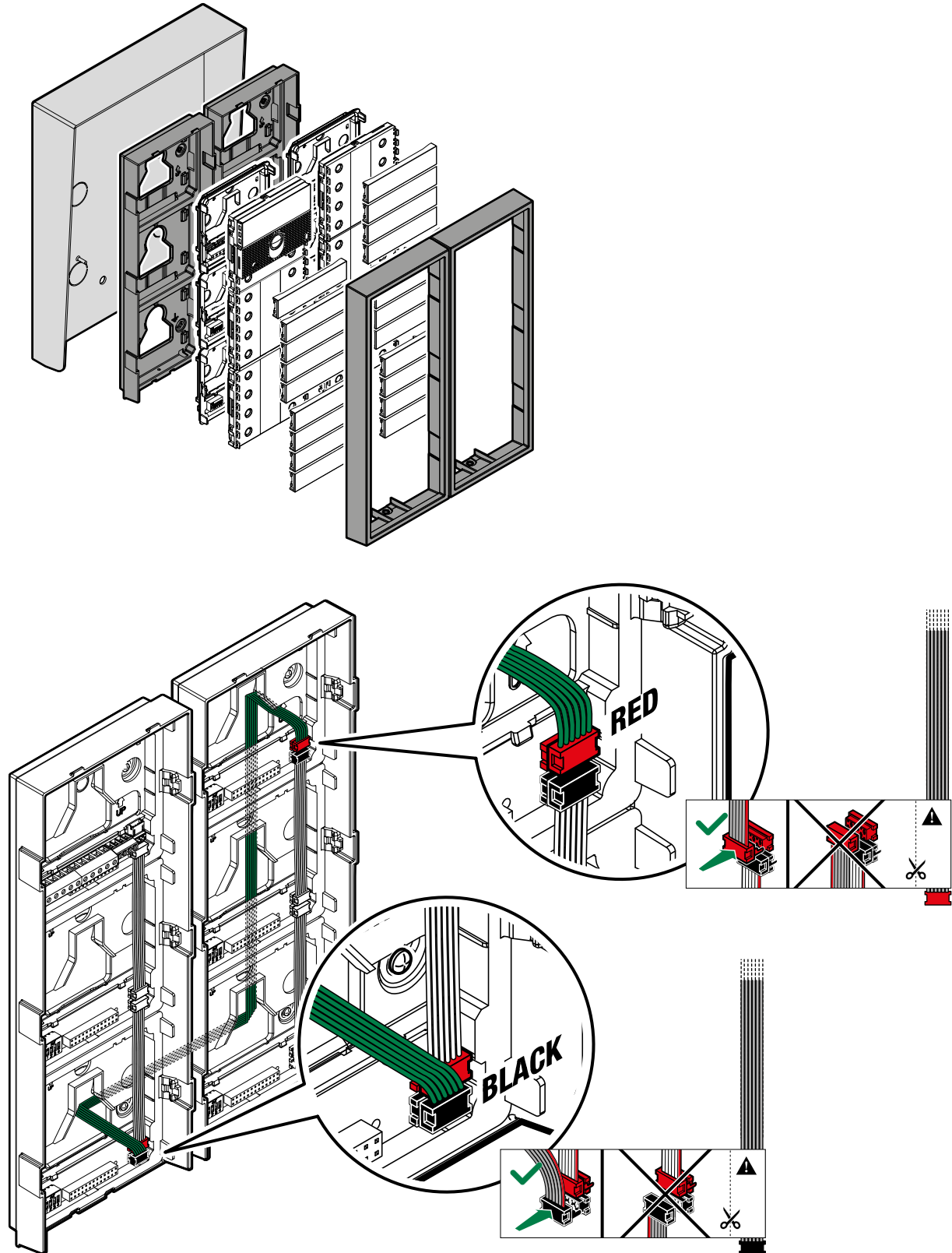
You can visit the website pro.comelitgroup.com to download the PDF to print the entrance panel name cards, using the adhesive pre-cut sheets (C) available in our catalogue (Art. UT9110)



Removing nameplates (2A) / module (2B)

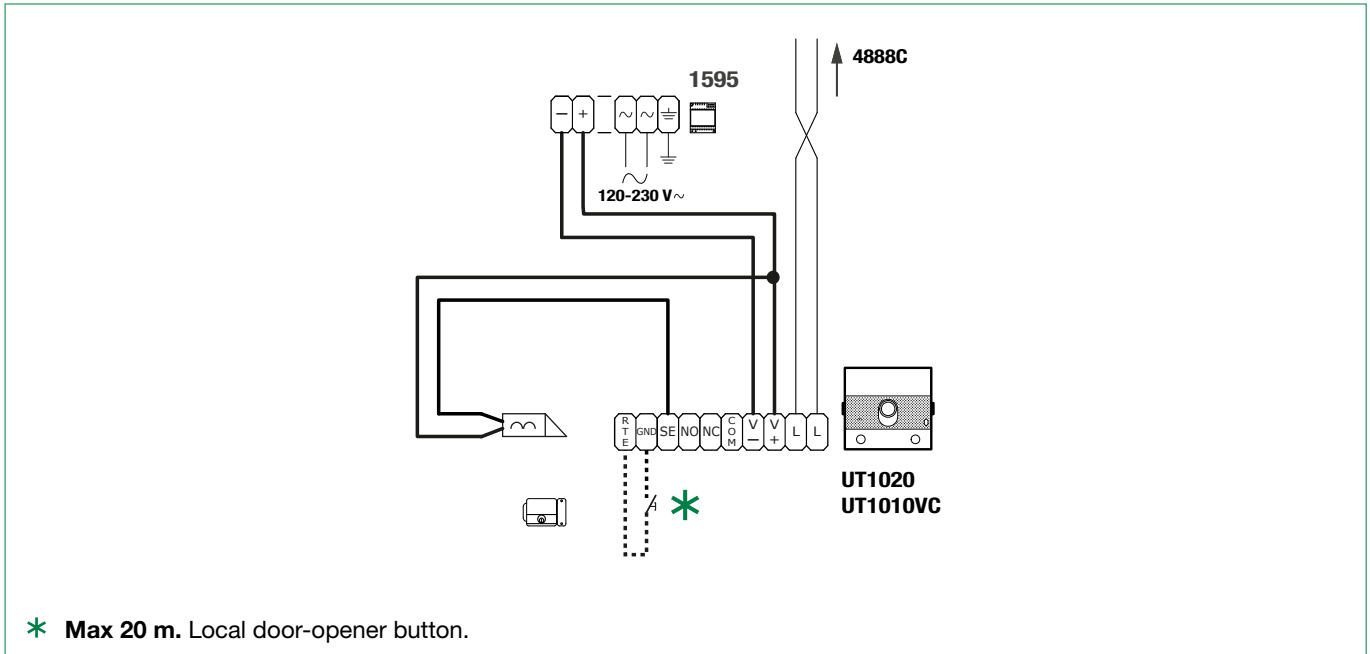


Installation with side-by-side boxes



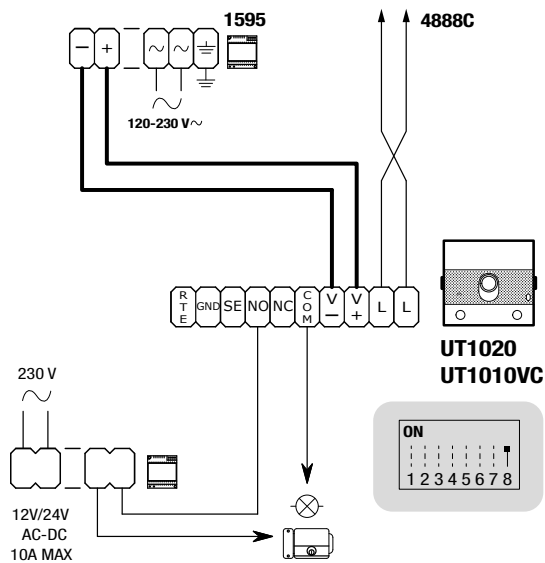
Connections

Connections for UT1020, UT1010VC



Variants

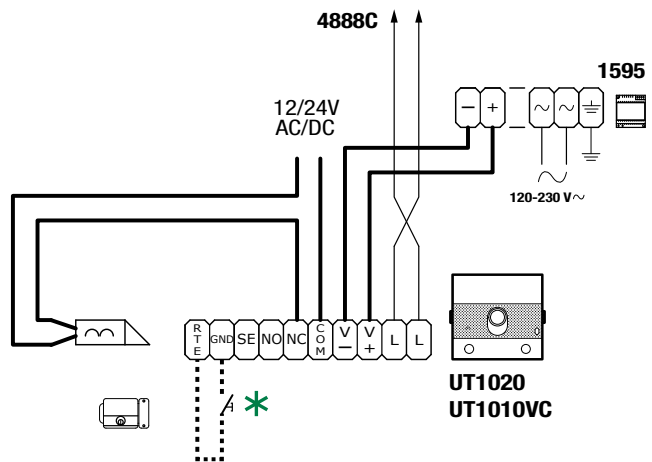
Variant for using the outdoor entrance panel relay



“C.NC.NO relay activation on actuator command:
2 sec”

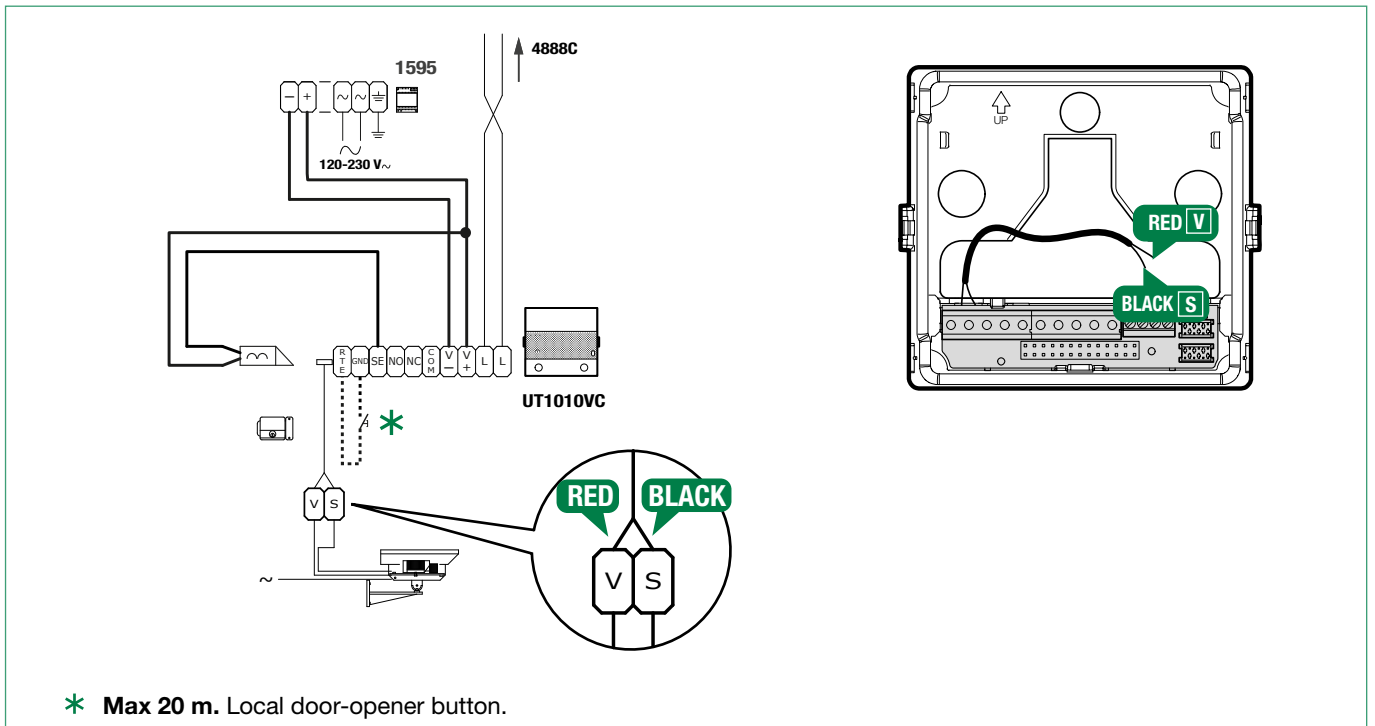
- ▶ Set DIP switch 8 to ON permanently (as shown in the figure)

Variant for using a safety door lock



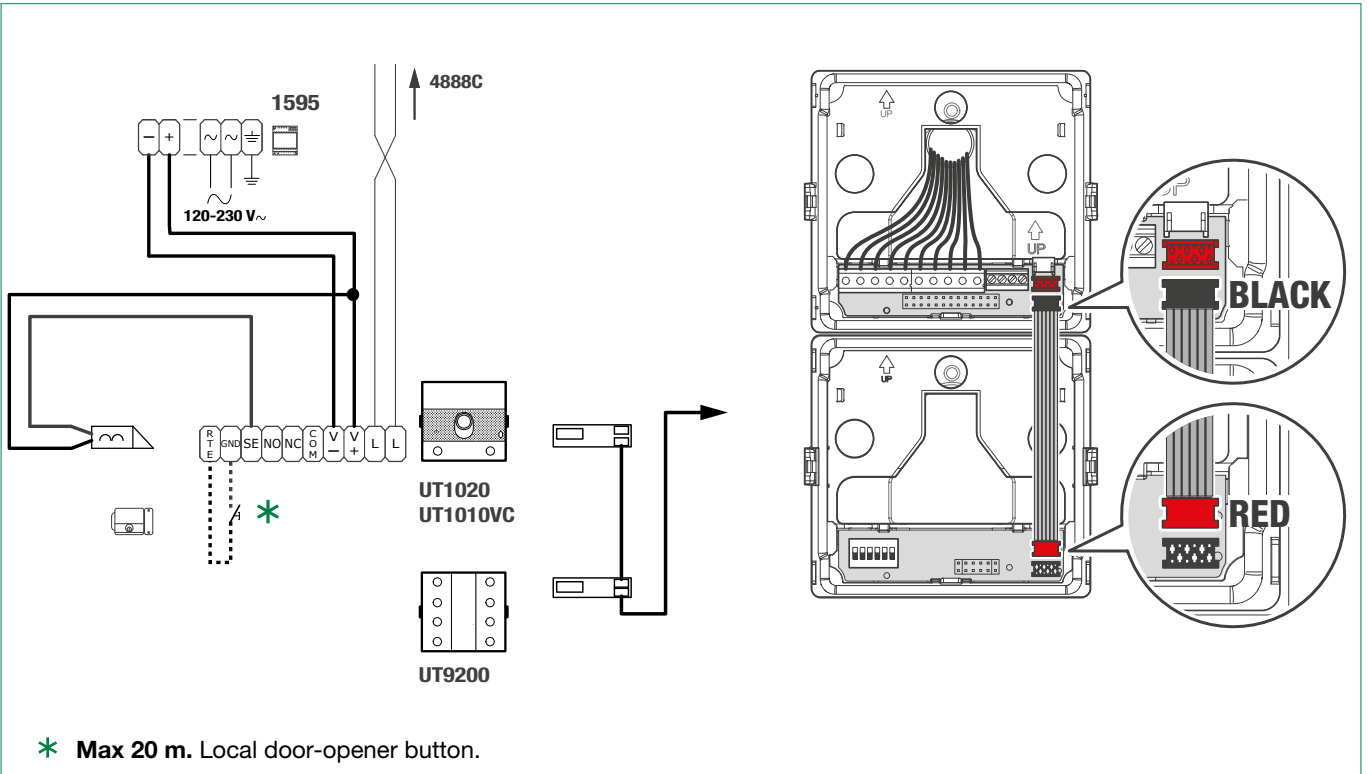
* Max 20 m. Local door-opener button.

Remote camera connection (Art. UT1010VC only)

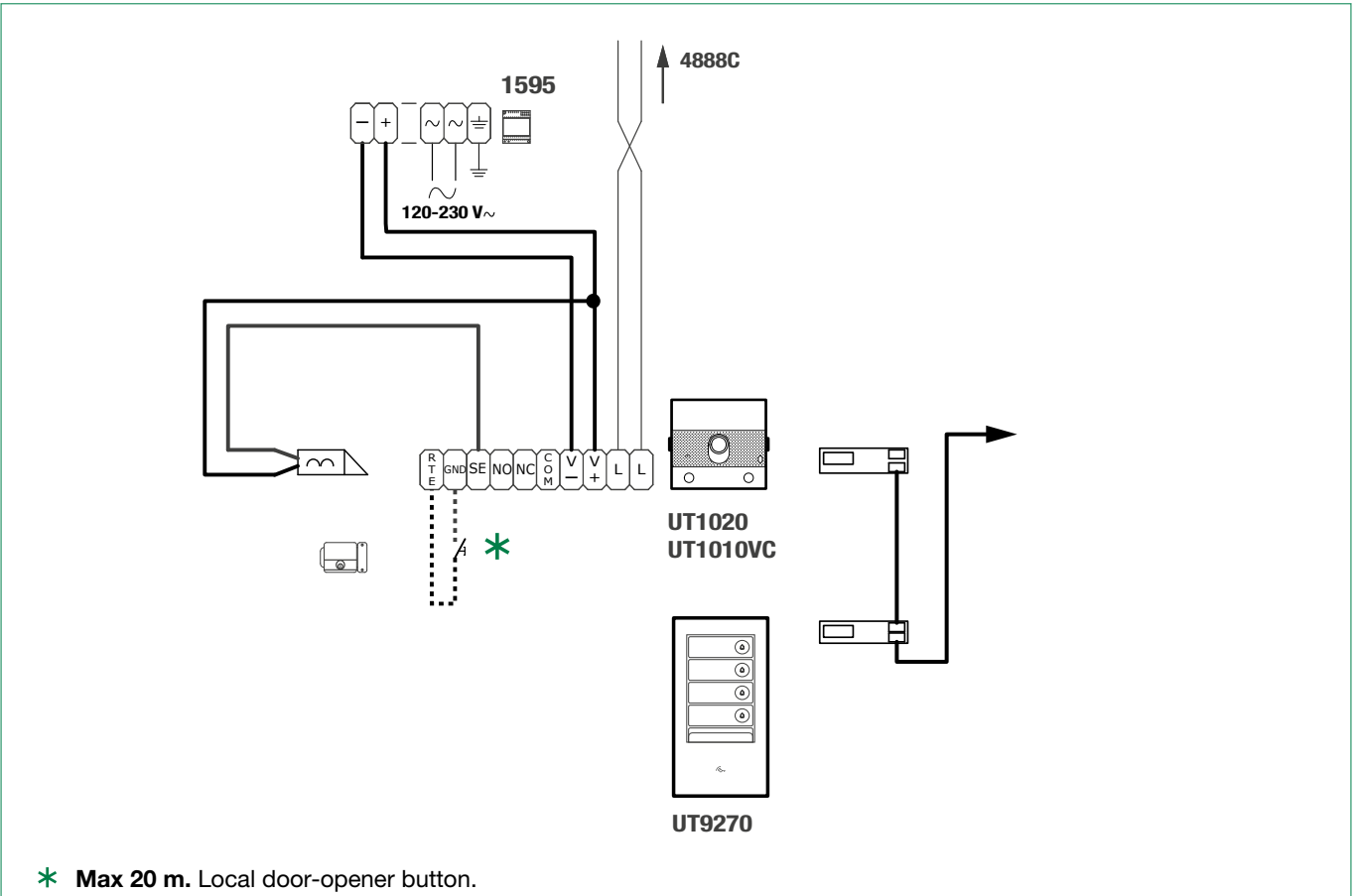


Module connection

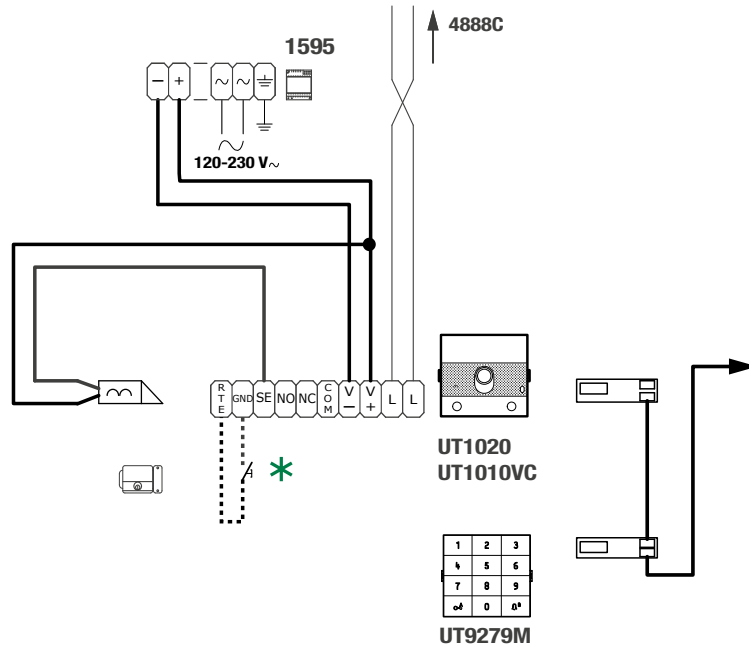
Connection of button modules Art. UT9200



Connection of Touch-screen module Art. UT9270



Connection of numeric keypad module Art. UT9279M



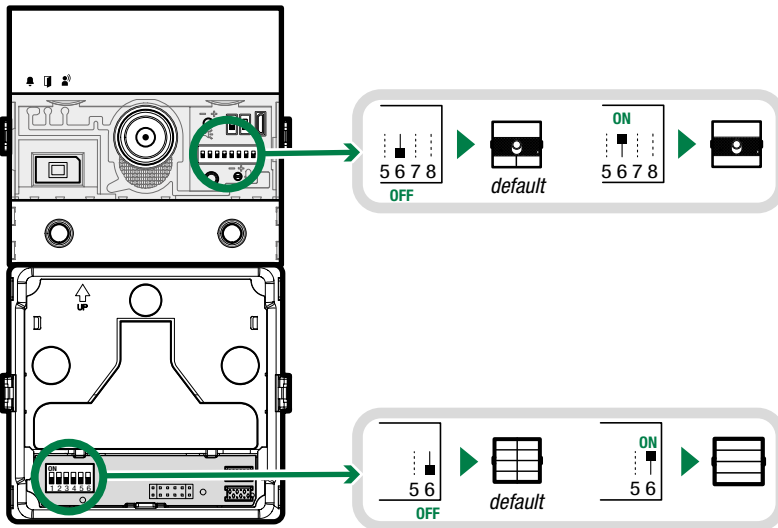
* Max 20 m. Local door-opener button.

Programming

For correct programming, follow the instructions below in order

- I. Configure button type
- II. Address button modules
- III. Program call addresses

I Configure button type (single/dual)



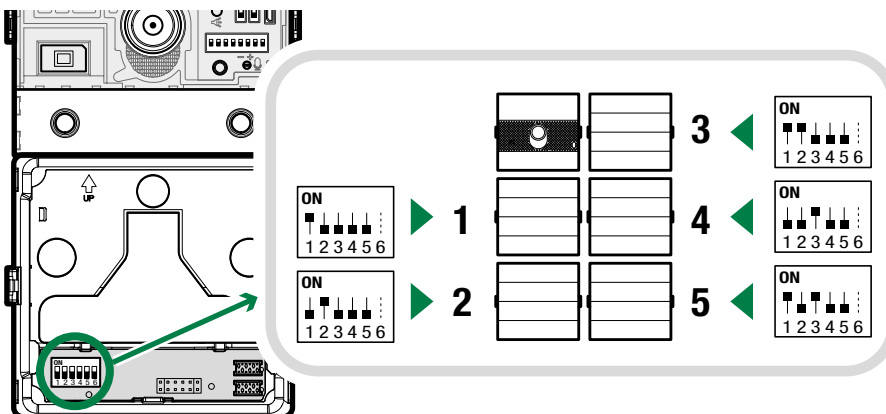
DIP 6: configuring button type:
Single button (**DIP6 ON**).
Dual button (**DIP6 OFF, default**).

DIP 6: configuring button type:
Single button (**DIP6 ON**).
Dual button (**DIP6 OFF, default**).

II Address button modules

DIP 1-5: addressing call button module (see TAB. A)

Addressing call button modules means that, in the event they are replaced, it is not necessary to reprogram the button addresses. All you need to do is assign the same address as before to the new module.



TAB. A

code	DIP ON				
1	1	12	3,4	23	1,2,3,5
2	2	13	1,3,4	24	4,5
3	1,2	14	2,3,4	25	1,4,5
4	3	15	1,2,3,4	26	2,4,5
5	1,3	16	5	27	1,2,4,5
6	2,3	17	1,5	28	3,4,5
7	1,2,3	18	2,5	29	1,3,4,5
8	4	19	1,2,5	30	2,3,4,5
9	1,4	20	3,5	31	1,2,3,4,5
10	2,4	21	1,3,5		
11	1,2,4	22	2,3,5		

III Program call addresses

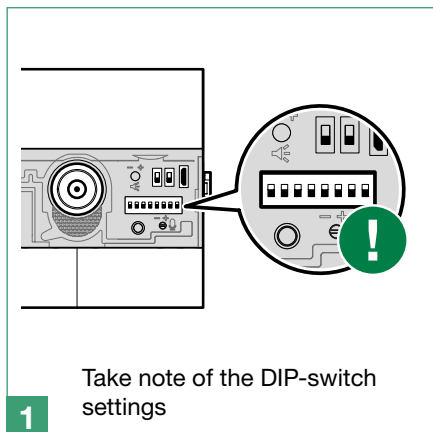
There are 2 programming methods:

- **Smart programming of consecutive addresses:** allows quick programming of buttons with consecutive addresses (e.g.: 1, 2, 3, 4)
- **Programming of specific addresses:** allows programming of specific addresses (e.g.: 25, 37, 70, 58)

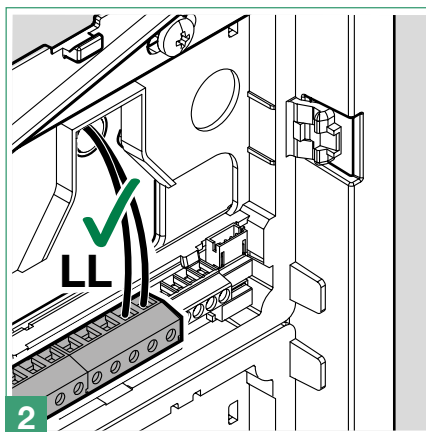
Smart programming of consecutive addresses



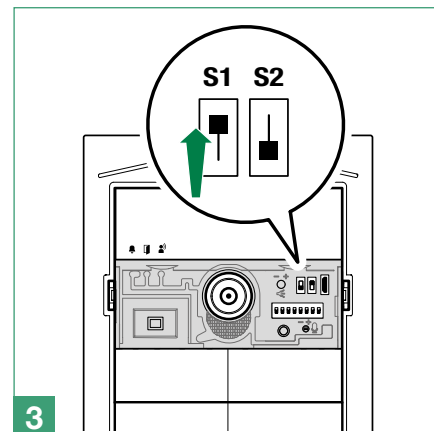
Make sure the button configuration (single/dual) is correct before proceeding with programming (see [“Configure button type \(single/dual\)”](#))



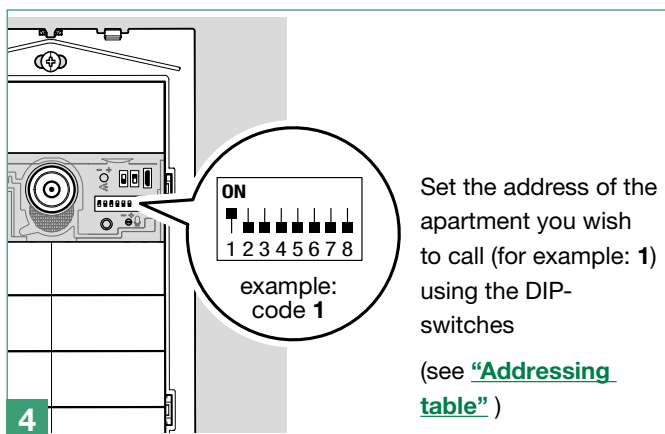
1 Take note of the DIP-switch settings



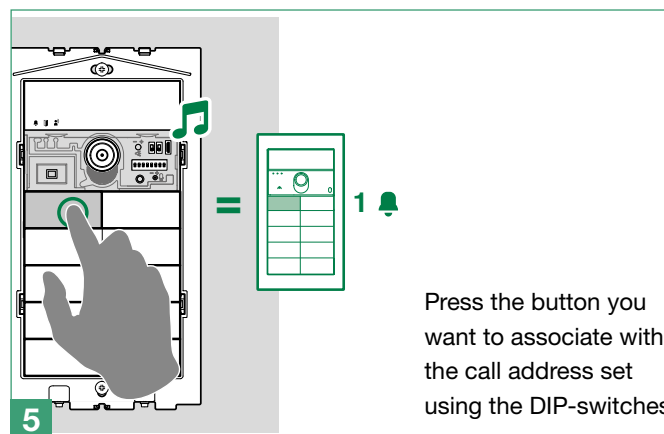
2



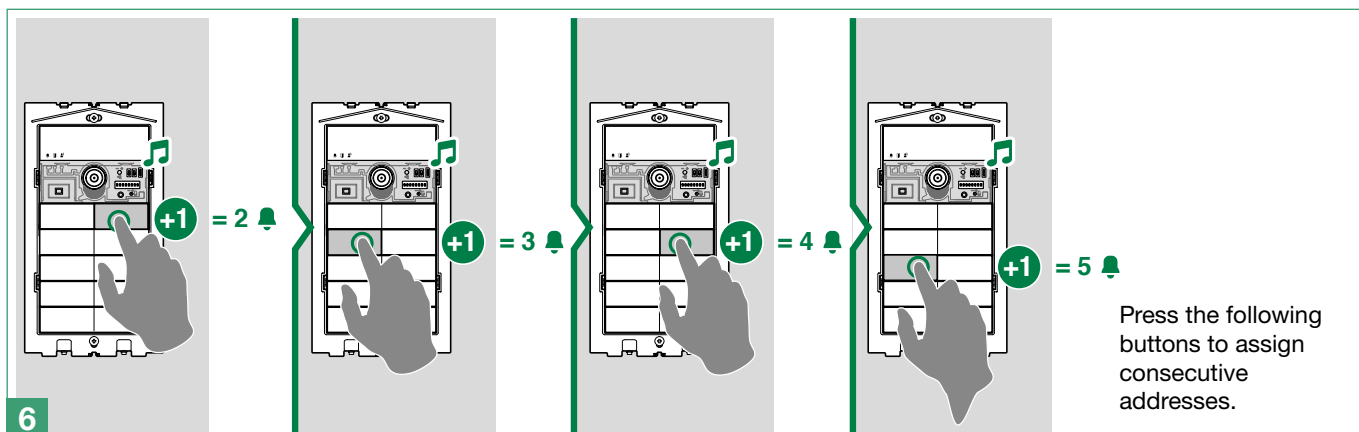
3



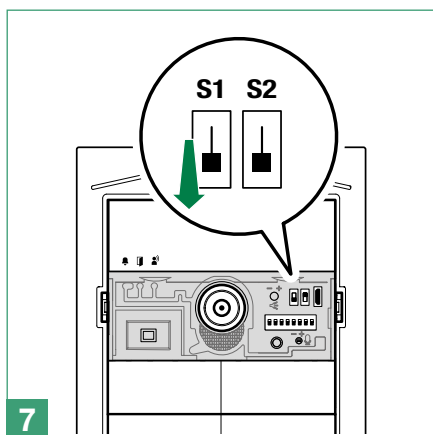
4 Set the address of the apartment you wish to call (for example: 1) using the DIP-switches (see [“Addressing table”](#))



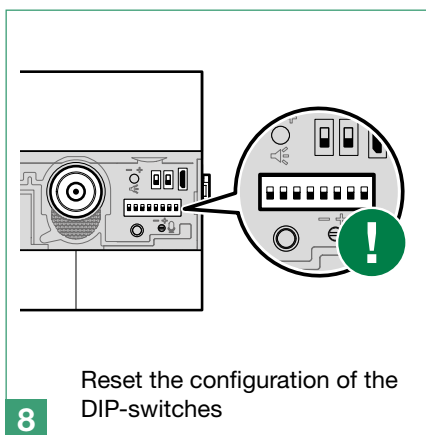
Press the button you want to associate with the call address set using the DIP-switches



Press the following buttons to assign consecutive addresses.



7



8

Reset the configuration of the DIP-switches

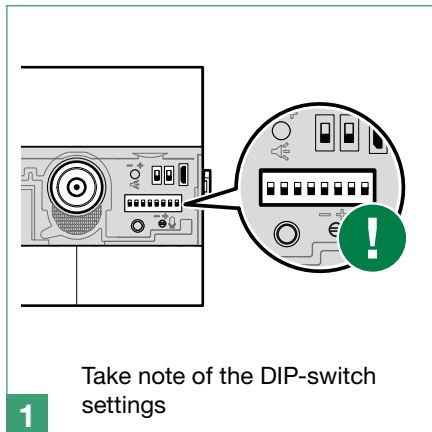


When programming is complete, make sure the button configuration is correct (single/dual), see [“Configure button type \(single/dual\)”](#)

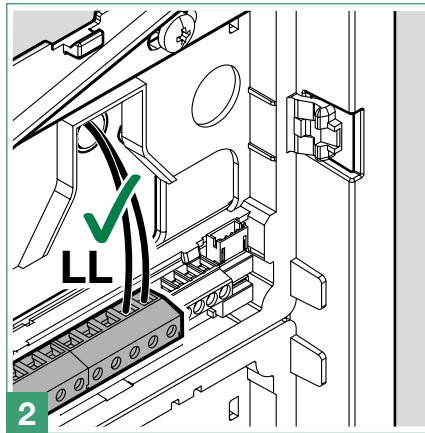
Programming of specific addresses



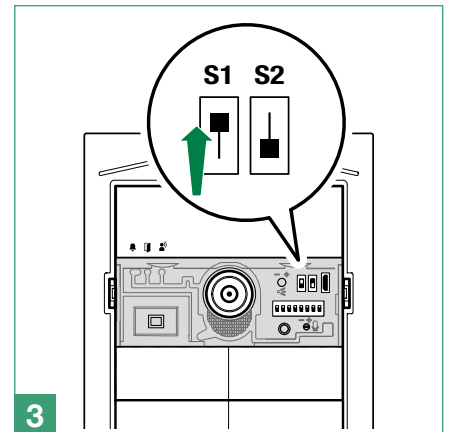
Make sure the button configuration (single/dual) is correct before proceeding with programming (see [“Configure button type \(single/dual\)”](#))



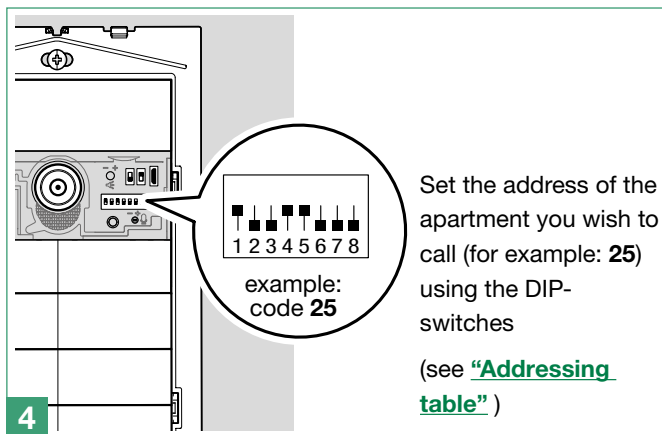
1 Take note of the DIP-switch settings



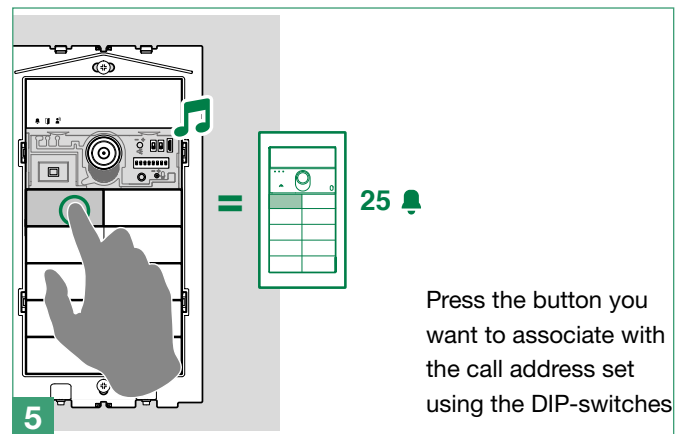
2



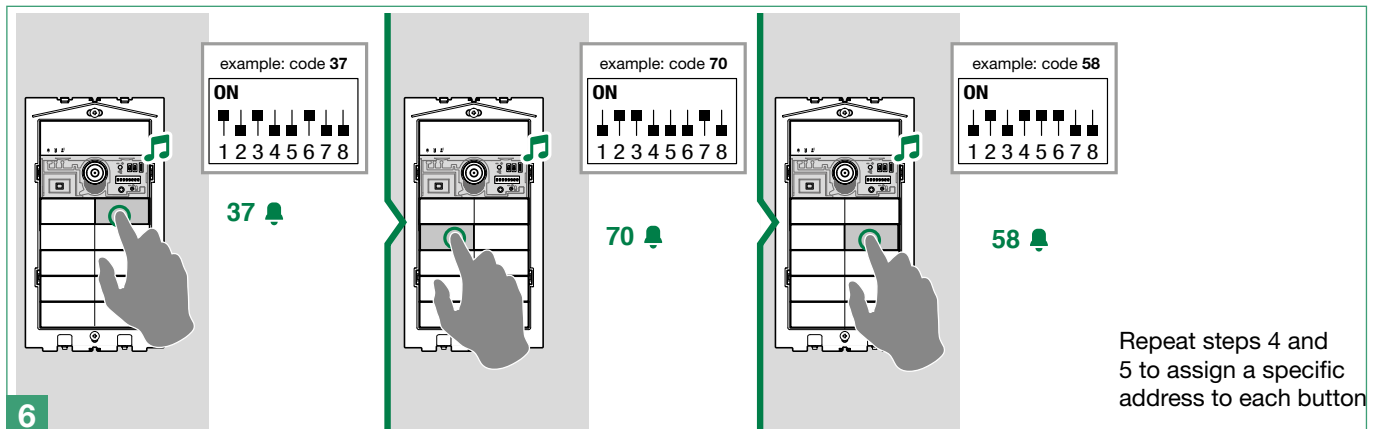
3



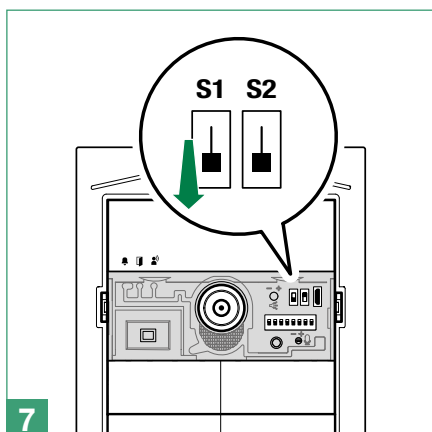
4 Set the address of the apartment you wish to call (for example: 25) using the DIP-switches (see [“Addressing table”](#))



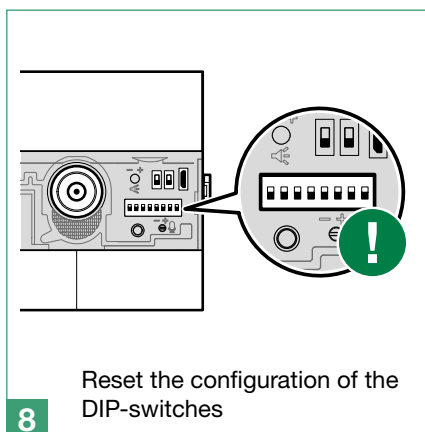
5 Press the button you want to associate with the call address set using the DIP-switches



6 Repeat steps 4 and 5 to assign a specific address to each button



7

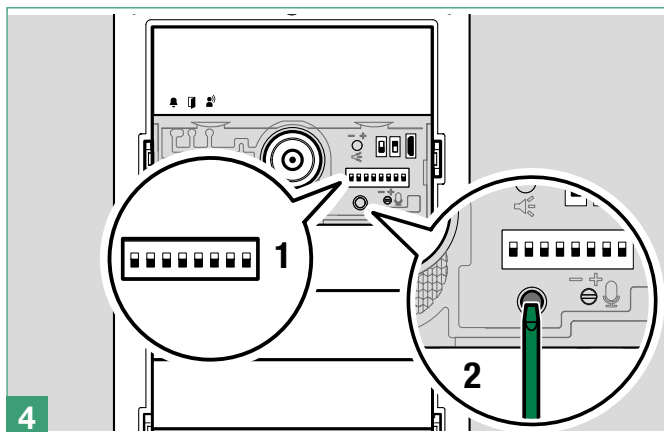
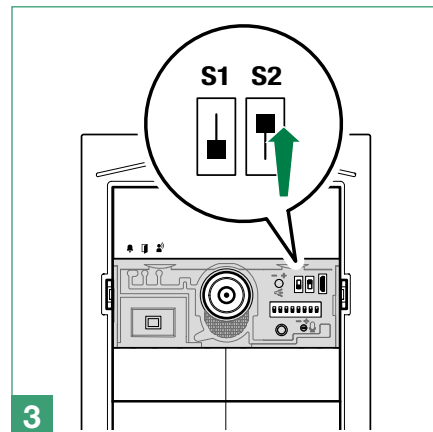
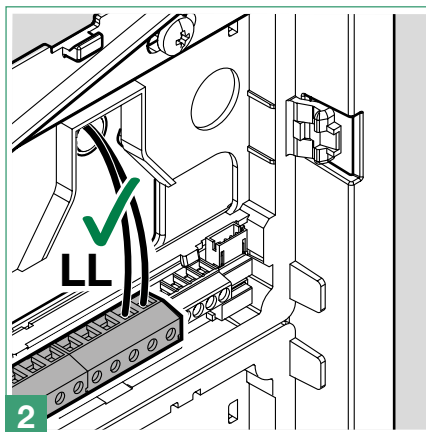
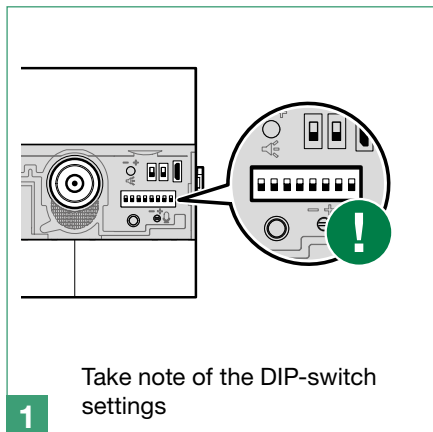


8 Reset the configuration of the DIP-switches

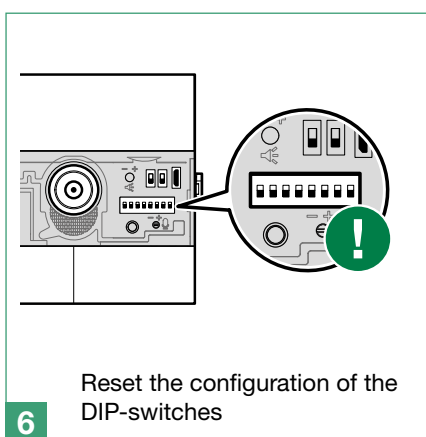
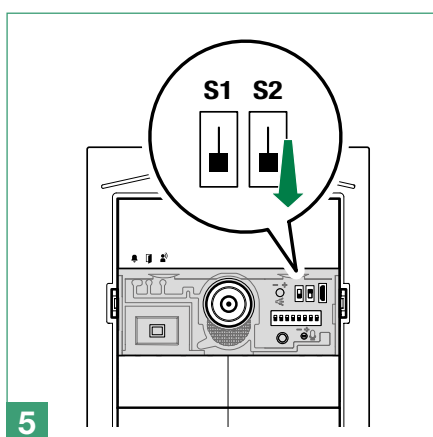


When programming is complete, make sure the button configuration is correct (single/dual), see [“Configure button type \(single/dual\)”](#)

Special programming via DIP-switch



1. Set the dip switches in accordance with the function you wish to program (see [table](#)).
2. Press the confirm button.



! When programming is complete, make sure the button configuration is correct (single/dual), see [“Configure button type \(single/dual\)”](#)

Special programming table

CODE	DIP SWITCHES ON	FUNCTIONS
		Audio-visual messages
195	1,2,7,8	Hebrew
196	3,7,8	Polish
197	1,3,7,8	Catalan
198	2,3,7,8	Galician
199	1,2,3,7,8	Basque
206	2,3,4,7,8	Danish
207	1,2,3,4,7,8	Norwegian
211	1,2,5,7,8	Swedish
215	1,2,3,5,7,8	Italian
216	4,5,7,8	French
217	1,4,5,7,8	Spanish
218	2,4,5,7,8	Dutch
219	1,2,4,5,7,8	Greek
220	3,4,5,7,8	English
221	1,3,4,5,7,8	German
222	2,3,4,5,7,8	Portuguese
202	2,4,7,8	Enables voice message (door opened warning) when the RTE contact is closed
203	1,2,4,7,8	Disables voice message (door opened warning) when the RTE contact is closed (default setting)
210	2,5,7,8	Enables visual messages and disables voice messages (default)
214	2,3,5,7,8	OFF: disables voice and visual messages
		Actuator command management N.B. Art. 1256 in generic actuator mode must not be present in the system.
229	1,3,6,7,8	C.NC.NO relay activation on actuator command: 2 sec (default)
230	2,3,6,7,8	C.NC.NO relay activation on actuator command: 4 sec
231	1,2,3,6,7,8	C.NC.NO relay activation on actuator command: 8 sec
		Door lock
223	1,2,3,4,5,7,8	Door lock command on SE in AC (default)
224	6,7,8	Door lock command on SE in enhanced AC
225	1,6,7,8	Door lock command on SE in DC
241	1,5,6,7,8	Management of internal units connected to Art. UT1020: up to 70 (default)
242	2,5,6,7,8	Management of internal units connected to Art. UT1020: from 71 to 100
245	1,3,5,6,7,8	Door lock time: 2 sec + disabling tone (default)
246	2,3,5,6,7,8	Door lock time: 4 sec
247	1,2,3,5,6,7,8	Door lock time: 8 sec
248	4,5,6,7,8	Door lock confirmation tone: enabled
252	3,4,5,6,7,8	Lock-release always enabled (default)
253	1,3,4,5,6,7,8	Lock-release only enabled for user called
		System functions
232	4,6,7,8	Awaiting response time: 60 sec (default)
233	1,4,6,7,8	Awaiting response time: 120 sec
234	2,4,6,7,8	Awaiting response time: 30 sec
235	1,2,4,6,7,8	Talk time: 90 sec (default)
236	3,4,6,7,8	Talk time: 180 sec
145	1,5,8	RTE input set as local lock-release input (default)
146	2,5,8	RTE input set as door open indication
147	1,2,5,8	Self activation time: 60 sec (default)
149	1,3,5,8	Self activation time: 30 sec
237	1,3,4,6,7,8	Self activation: enabled (default)

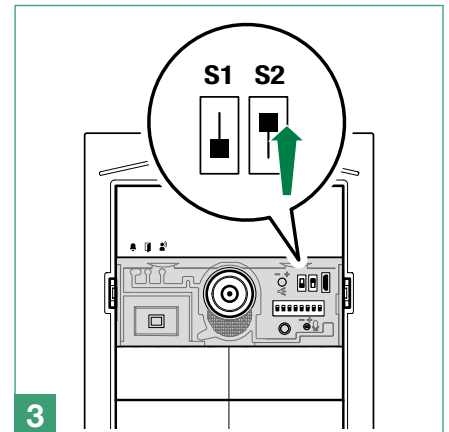
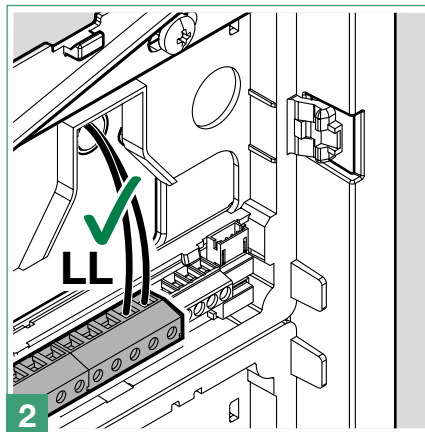
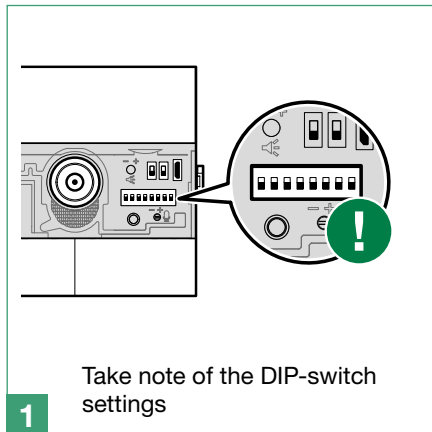
238	2,3,4,6,7,8	Self activation: disabled
154	2,4,5,8	System busy signalling time: 10 sec (default)
155	1,2,4,5,8	System busy signalling time: 300 sec
239	1,2,3,4,6,7,8	Confirmation tone on user call = enabled (default)
240	5,6,7,8	Confirmation tone on user call = disabled
243	1,2,5,6,7,8	Reset wait time (after hang-up or after lock-release): 10 sec (default)
244	3,5,6,7,8	Reset wait time (after hang-up or after lock-release): 1 sec
208	5,7,8	Enables "Reset wait time" on lock-release command (default)
209	1,5,7,8	Disables "awaiting reset time" on lock-release command (awaiting response time or talk time will be activated)
249	1,4,5,6,7,8	Send call: single (default)
250	2,4,5,6,7,8	Call transmission: triple
Button tones		
142	2,3,4,8	Button press tone ON (default)
143	1,2,3,4,8	Button press tone OFF
Button backlighting management		
158	2,3,4,5,8	OFF mode: Button LEDs always off
159	1,2,3,4,5,8	ON mode: Button LEDs always on
160	6,8	AUTO mode: Button LEDs on at night and off during the day, thanks to the twilight sensor (default)
161	1,6,8	Enables brightness control for the button LEDs. ▶ Press a button repeatedly for each module to change the individual brightness of the buttons (see: "Adjusting the brightness of the button LEDs and the camera light")
162	2,6,8	Light-me OFF (default)
163	1,2,6,8	Light-me ON: the button LEDs for the audio/video module are always on and when the button is pressed all button LEDs light up (see: "Light-me function behaviour on the basis of the LED backlighting mode")
150	2,3,5,8	Light-me time: 30 sec
151	1,2,3,5,8	Light-me time: 60 sec (default)
152	4,5,8	Light-me time: 120 sec
Camera LED light management on self activation (only with Art. UT1020)		
166	2,3,6,8	The LED light is always off upon self activation
167	1,2,3,6,8	The LED light copies the ON/OFF/AUTO mode set for calls (functions 168/169/170) (default)
Camera LED light management upon calls (only with Art. UT1020)		
168	4,6,8	OFF mode: LED light always off upon calls
169	1,4,6,8	ON mode: LED light always on upon calls
170	2,4,6,8	AUTO mode: LED light on at night and off during the day, thanks to the twilight sensor (default)
171	1,2,4,6,8	Enables brightness control for the camera LED light. ▶ Press the programming confirmation button repeatedly to adjust the brightness
Restore backup		
114	2,5,6,7	If the audio/video module is replaced, all programming is imported (only available if at least one additional module is connected vi flat cable)
Reset		
115	1,2,5,6,7	Reset button programming: if the modules are addressed (see "Address button modules") this resets the programming for the button call addresses
254	2,3,4,5,6,7,8	Reset special programming: restore all the parameters described in this table to their default values

Twilight sensor

Camera LED lighting and button backlighting management



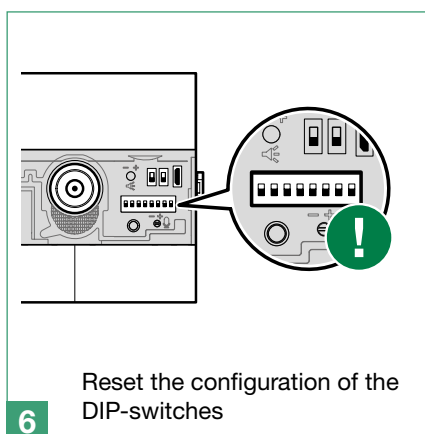
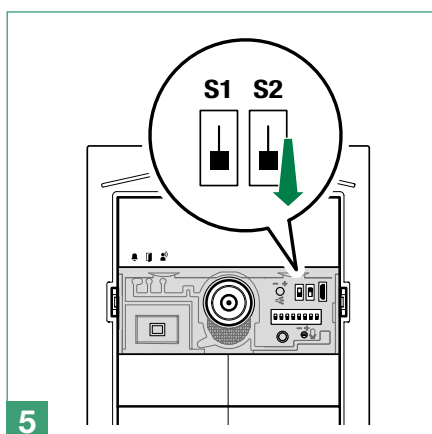
The twilight sensor is in **AUTO** mode by default: the camera and button LEDs light up at night and switch off during the day. To change the setting to **ON** (LEDs always on) or **OFF** (LEDs always off), proceed as follows:



4

Set the desired mode for the camera (A) or button (B) LEDs and press the confirm button

	OFF	ON	AUTO (default)
A	 ON 1 2 3 4 5 6 7 8 cod. 168	 ON 1 2 3 4 5 6 7 8 cod. 169	 ON 1 2 3 4 5 6 7 8 cod. 170
B	 ON 1 2 3 4 5 6 7 8 cod. 158	 ON 1 2 3 4 5 6 7 8 cod. 159	 ON 1 2 3 4 5 6 7 8 cod. 160



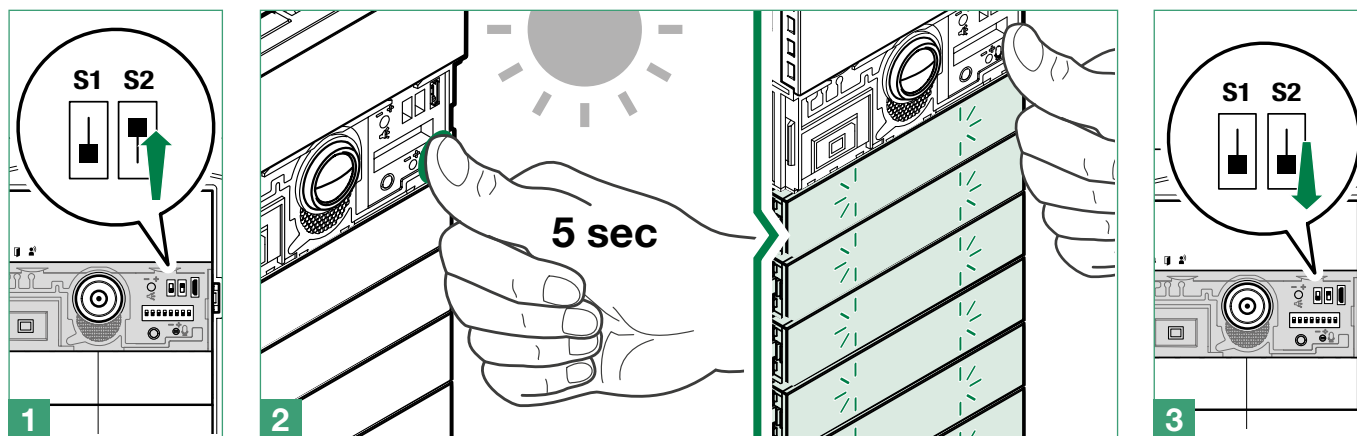
When programming is complete, make sure the button configuration is correct (single/dual), see [“Configure button type \(single/dual\)”](#)



NOTE: when the OFF and AUTO lighting modes are active, every time the entrance panel is powered, the buttons light up for the duration of the start-up phase (10 seconds maximum).

In AUTO mode the twilight sensor checks the ambient light level every 9 minutes; if the measured values exceed the specified minimum/maximum thresholds, it is activated/deactivated accordingly.

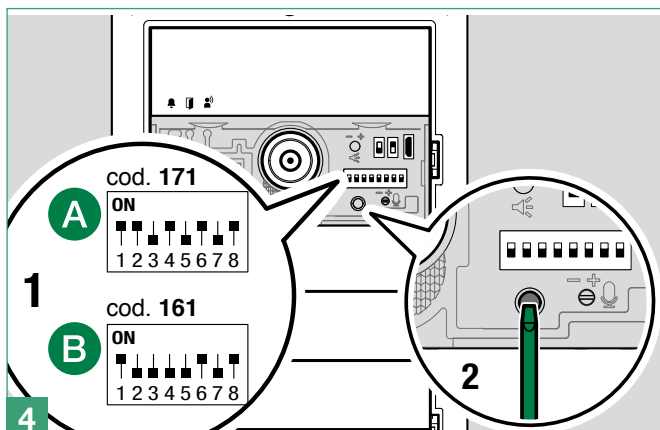
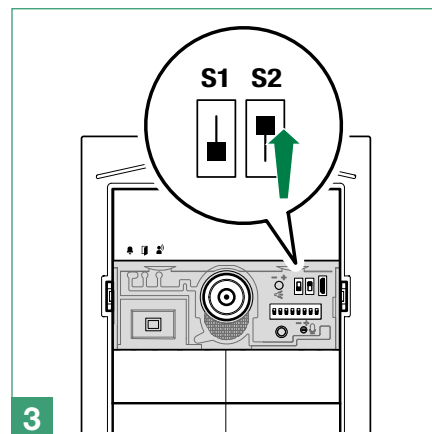
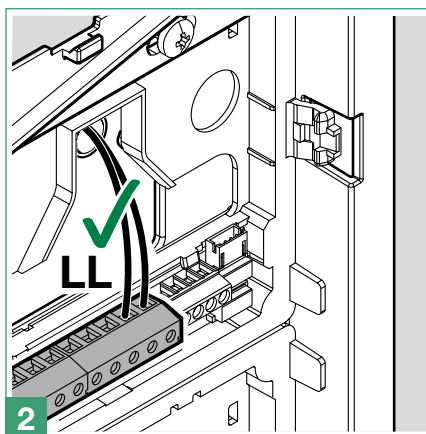
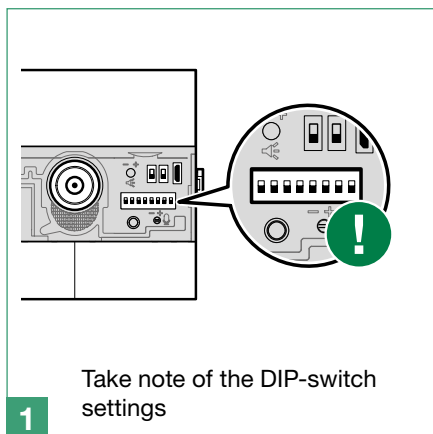
Checking twilight sensor operation



If it is daytime and you want to check AUTO mode operation for the twilight sensor, you can proceed as follows:

1. Enter programming mode
2. Block the twilight sensor for 5 seconds
 - » If AUTO mode has been set, the camera and button LEDs will come on.
3. Exit programming

Adjusting the brightness of the button LEDs and the camera light



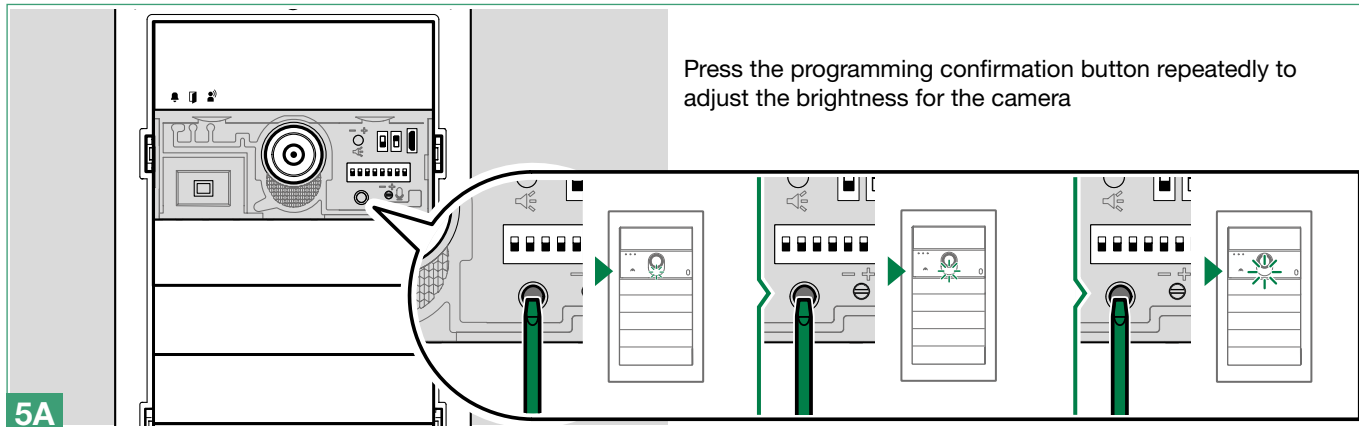
Enable brightness control

(A) for the camera (code 171)

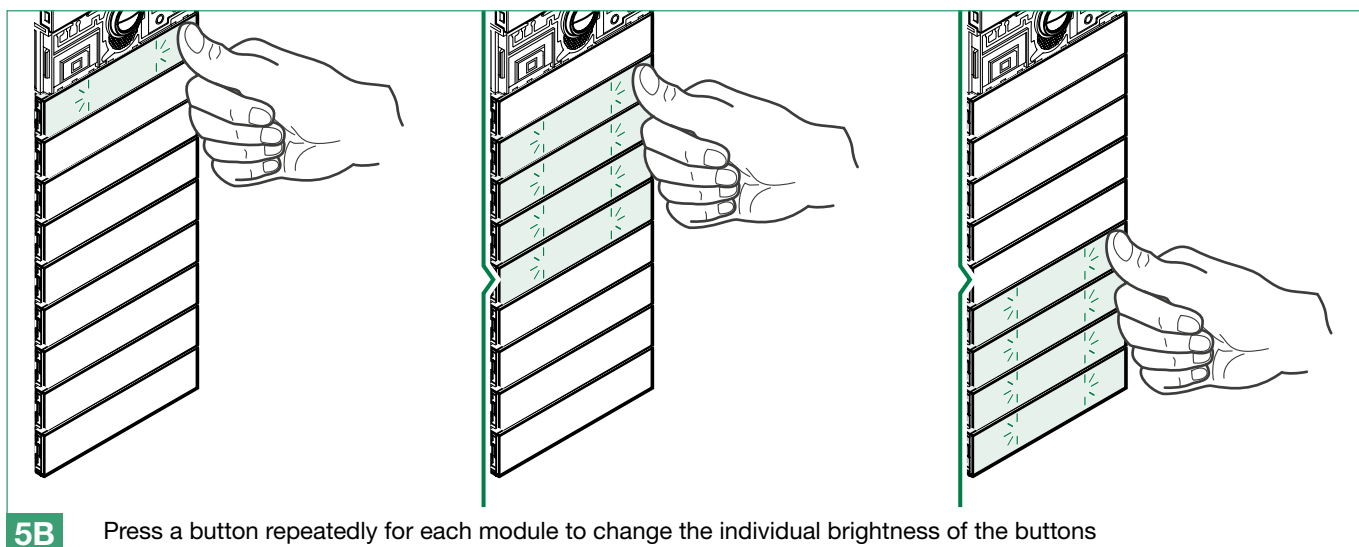
or

(B) for the buttons (code 161)

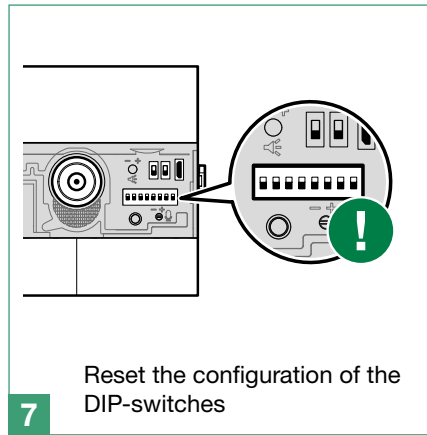
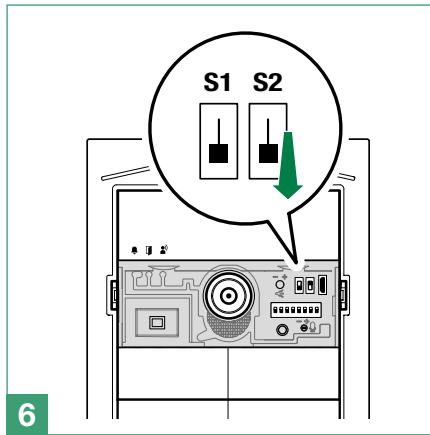
Set the desired function (code 171/161) and press the confirm programming button



Press the programming confirmation button repeatedly to adjust the brightness for the camera



Press a button repeatedly for each module to change the individual brightness of the buttons



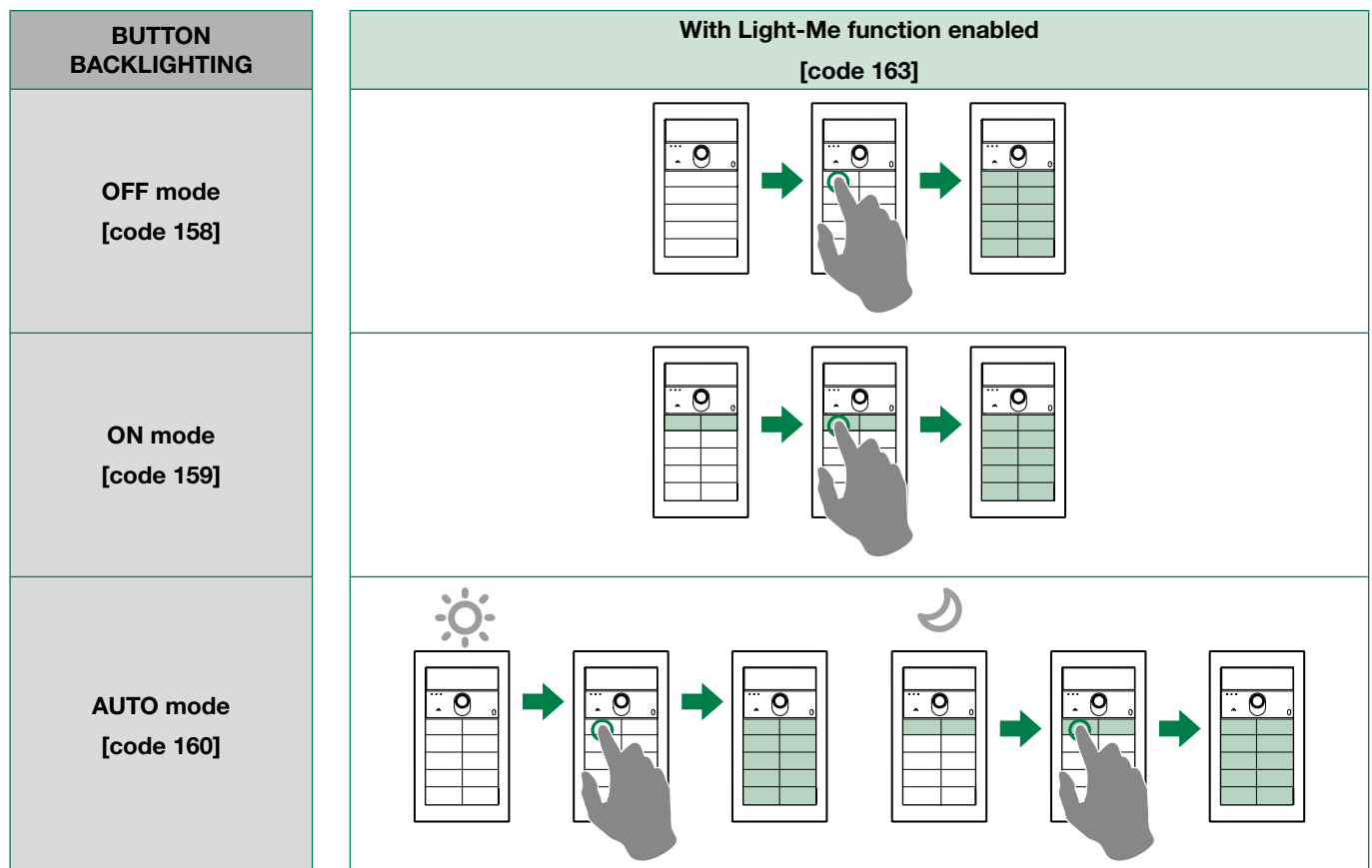
When programming is complete, make sure the button configuration is correct (single/dual), see [“Configure button type \(single/dual\)”](#)

Light-me function

Thanks to this function, button backlighting is only enabled on the user's request, by pressing the LIGHT-ME button on the audio/video module; this saves energy and reduces light pollution.

Backlighting management for this button depends on the twilight sensor setting. It is in AUTO mode by default: the LEDs light up at night and switch off during the day. It can be set to ON (LEDs always on) or OFF (LEDs always off).

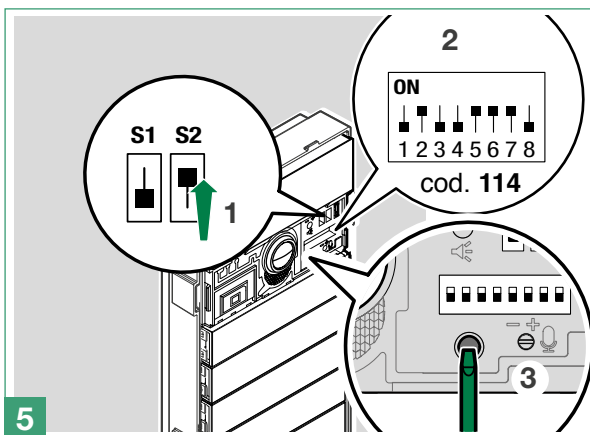
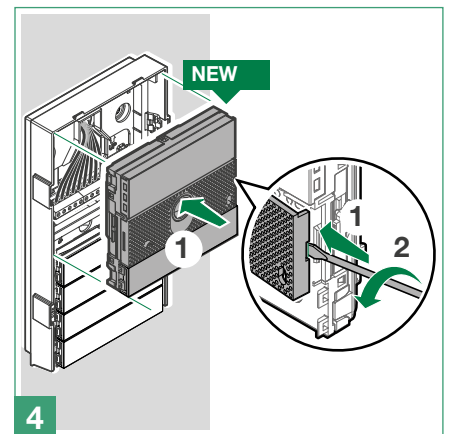
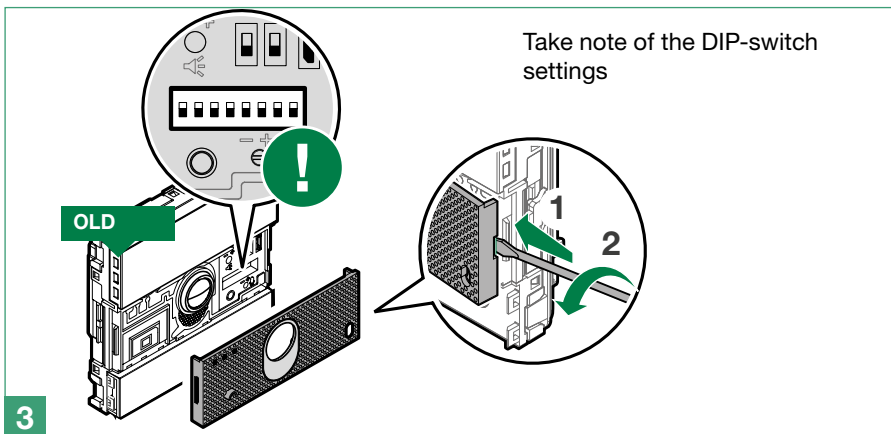
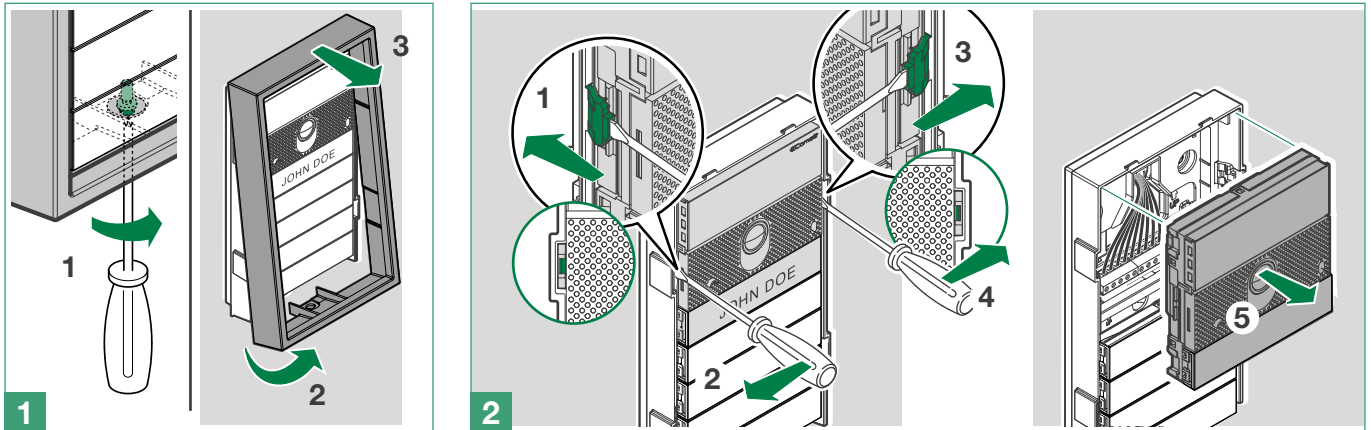
Light-me function behaviour on the basis of the LED backlighting mode







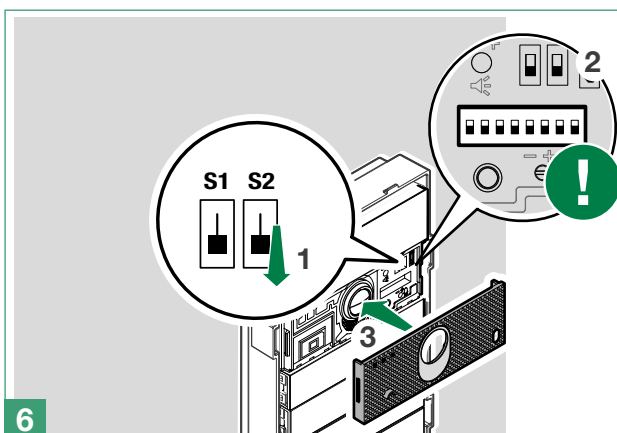
Replacing the audio/video module with programming restore backup




If the audio or audio/video module is replaced, the following instructions must be observed. The procedure should be completed within one hour of removal of the old module.



1. Enter programming mode by moving **S2** DIP-switch upwards
 - » the red "system busy" LED  flashes for the duration of the procedure
2. Set special programming **114** to import all the programming settings
3. Press the confirm programming button
 - » the green "lock-release" LED  will start flashing
 - » at the end of the backup (approx. 30 sec.):
 - » the green "lock-release" LED  switches off
 - » the green "audio enabled" LED  comes on for a few seconds.

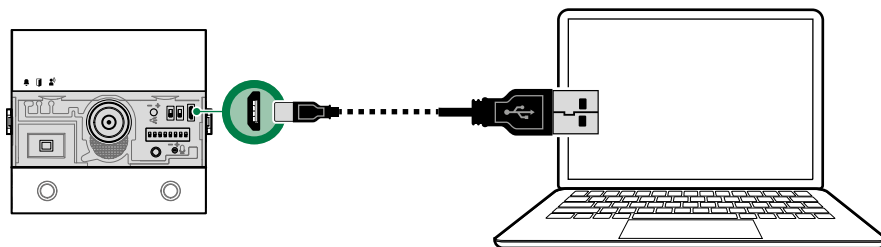


1. Exit programming mode by moving the **S2** DIP-switch downwards
 - » the red "system busy" LED  switches off
2. Reset the configuration of the DIP-switches
3. Reattach the front panel

Configuring via PC

All device configurations can be performed via PC and ViP Manager configuration software, available to download free of charge from pro.comelitgroup.com.

✓ You will need a USB micro-USB cable.



Errors and indications

	INDICATION	SOLUTION
RED LED LIT STEADILY + DISSUASION TONE	Line short-circuit	Check connections
	Dual power supply present	Remove jumper J4 on the audio/video module
	Button modules with the same ID	Check the module IDs
	Programming selector positioning error	Check the position of selectors S1 and S2 (they cannot both be set to ON)
RED LED FLASHING	Device in programming	

System performance and layouts

For further information regarding system performance and to view installation layouts, click on the system type:

- [Simplebus1 audio/video](#)

Addressing table

Code	Dip switch ON														
1	1	31	1,2,3,4,5	61	1,3,4,5,6	91	1,2,4,5,7	121	1,4,5,6,7	151	1,2,3,5,8	181	1,3,5,6,8	211	1,2,5,7,8
2	2	32	6	62	2,3,4,5,6	92	3,4,5,7	122	2,4,5,6,7	152	4,5,8	182	2,3,5,6,8	212	3,5,7,8
3	1.2	33	1.6	63	1,2,3,4,5,6	93	1,3,4,5,7	123	1,2,4,5,6,7	153	1,4,5,8	183	1,2,3,5,6,8	213	1,3,5,7,8
4	3	34	2.6	64	7	94	2,3,4,5,7	124	3,4,5,6,7	154	2,4,5,8	184	4,5,6,8	214	2,3,5,7,8
5	1.3	35	1,2,6	65	1.7	95	1,2,3,4,5,7	125	1,3,4,5,6,7	155	1,2,4,5,8	185	1,4,5,6,8	215	1,2,3,5,7,8
6	2.3	36	3.6	66	2.7	96	6.7	126	2,3,4,5,6,7	156	3,4,5,8	186	2,4,5,6,8	216	4,5,7,8
7	1,2,3	37	1,3,6	67	1,2,7	97	1,6,7	127	1,2,3,4,5,6,7	157	1,3,4,5,8	187	1,2,4,5,6,8	217	1,4,5,7,8
8	4	38	2,3,6	68	3.7	98	2,6,7	128	8	158	2,3,4,5,8	188	3,4,5,6,8	218	2,4,5,7,8
9	1.4	39	1,2,3,6	69	1,3,7	99	1,2,6,7	129	1.8	159	1,2,3,4,5,8	189	1,3,4,5,6,8	219	1,2,4,5,7,8
10	2.4	40	4.6	70	2,3,7	100	3,6,7	130	2.8	160	6.8	190	2,3,4,5,6,8	220	3,4,5,7,8
11	1,2,4	41	1,4,6	71	1,2,3,7	101	1,3,6,7	131	1,2,8	161	1,6,8	191	1,2,3,4,5,6,8	221	1,3,4,5,7,8
12	3.4	42	2,4,6	72	4.7	102	2,3,6,7	132	3.8	162	2,6,8	192	7.8	222	2,3,4,5,7,8
13	1,3,4	43	1,2,4,6	73	1,4,7	103	1,2,3,6,7	133	1,3,8	163	1,2,6,8	193	1,7,8	223	1,2,3,4,5,7,8
14	2,3,4	44	3,4,6	74	2,4,7	104	4,6,7	134	2,3,8	164	3,6,8	194	2,7,8	224	6,7,8
15	1,2,3,4	45	1,3,4,6	75	1,2,4,7	105	1,4,6,7	135	1,2,3,8	165	1,3,6,8	195	1,2,7,8	225	1,6,7,8
16	5	46	2,3,4,6	76	3,4,7	106	2,4,6,7	136	4.8	166	2,3,6,8	196	3,7,8	226	2,6,7,8
17	1.5	47	1,2,3,4,6	77	1,3,4,7	107	1,2,4,6,7	137	1,4,8	167	1,2,3,6,8	197	1,3,7,8	227	1,2,6,7,8
18	2.5	48	5.6	78	2,3,4,7	108	3,4,6,7	138	2,4,8	168	4,6,8	198	2,3,7,8	228	3,6,7,8
19	1,2,5	49	1,5,6	79	1,2,3,4,7	109	1,3,4,6,7	139	1,2,4,8	169	1,4,6,8	199	1,2,3,7,8	229	1,3,6,7,8
20	3.5	50	2,5,6	80	5.7	110	2,3,4,6,7	140	3,4,8	170	2,4,6,8	200	4,7,8	230	2,3,6,7,8
21	1,3,5	51	1,2,5,6	81	1,5,7	111	1,2,3,4,6,7	141	1,3,4,8	171	1,2,4,6,8	201	1,4,7,8	231	1,2,3,6,7,8
22	2,3,5	52	3,5,6	82	2,5,7	112	5.6,7	142	2,3,4,8	172	3,4,6,8	202	2,4,7,8	232	4,6,7,8
23	1,2,3,5	53	1,3,5,6	83	1,2,5,7	113	1,5,6,7	143	1,2,3,4,8	173	1,3,4,6,8	203	1,2,4,7,8	233	1,4,6,7,8
24	4.5	54	2,3,5,6	84	3,5,7	114	2,5,6,7	144	5.8	174	2,3,4,6,8	204	3,4,7,8	234	2,4,6,7,8
25	1,4,5	55	1,2,3,5,6	85	1,3,5,7	115	1,2,5,6,7	145	1,5,8	175	1,2,3,4,6,8	205	1,3,4,7,8	235	1,2,4,6,7,8
26	2,4,5	56	4,5,6	86	2,3,5,7	116	3,5,6,7	146	2,5,8	176	5,6,8	206	2,3,4,7,8	236	3,4,6,7,8
27	1,2,4,5	57	1,4,5,6	87	1,2,3,5,7	117	1,3,5,6,7	147	1,2,5,8	177	1,5,6,8	207	1,2,3,4,7,8	237	1,3,4,6,7,8
28	3,4,5	58	2,4,5,6	88	4,5,7	118	2,3,5,6,7	148	3,5,8	178	2,5,6,8	208	5,7,8	238	2,3,4,6,7,8
29	1,3,4,5	59	1,2,4,5,6	89	1,4,5,7	119	1,2,3,5,6,7	149	1,3,5,8	179	1,2,5,6,8	209	1,5,7,8	239	1,2,3,4,6,7,8
30	2,3,4,5	60	3,4,5,6	90	2,4,5,7	120	4,5,6,7	150	2,3,5,8	180	3,5,6,8	210	2,5,7,8	*240	5,6,7,8

* NOTE: Code 240 is reserved for the porter switchboard

CERTIFIED MANAGEMENT SYSTEMS



www.comelitgroup.com

Via Don Arrigoni, 5 - 24020 Rovetta (BG) - Italy

