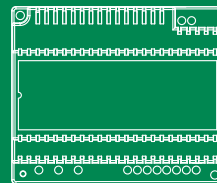
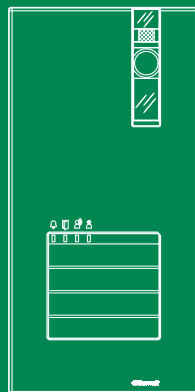
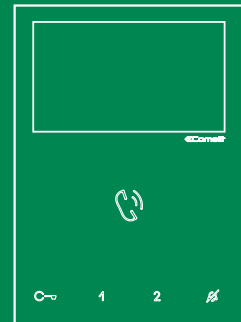
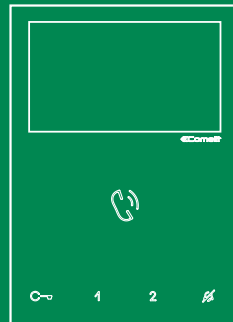
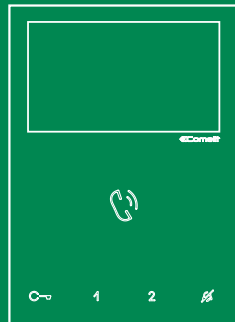
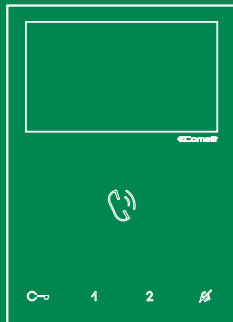


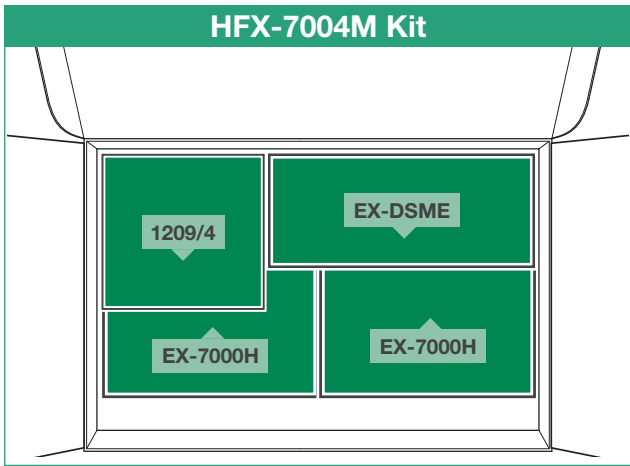
EN

QUICK  
REFERENCE  
GUIDE



Quick reference Guide for  
Four-Users Kit **HFX-7004M**

 **Comelit**<sup>®</sup>  
Passion. Technology. Design.



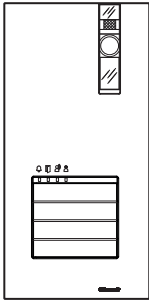

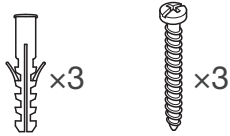
The components of the kit are already configured for operation in the basic version. Plug and Play!

Further information can be found in the complete manuals, which are available to download from the website [pro.comelitgroup.com](http://pro.comelitgroup.com) or by decoding the following QR code.

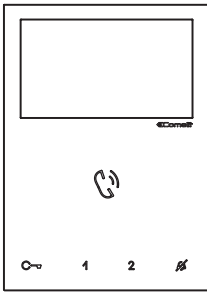
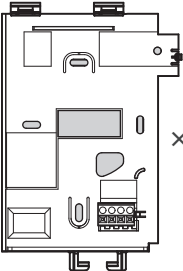



# 1. Contents of the package

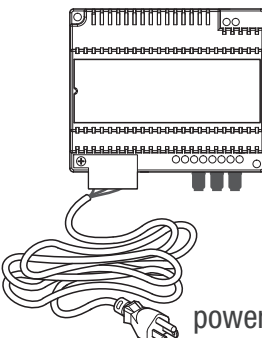

**EX-DSME - External unit**

 <p>x1</p> <p>external unit</p>	 <p>Replaceable call buttons</p> <p>for 1 user    for 2 users    for 4 users</p>	 <p>dry wall anchors    screws</p>
---	--	--

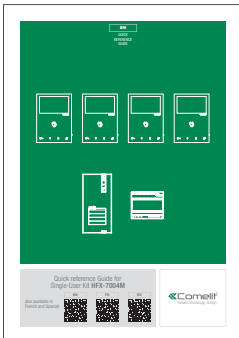
**EX-7000H - Monitors**

 <p>x4</p> <p>monitor</p>	 <p>x4</p> <p>backplate</p>	 <p>dry wall anchors    screws</p>
--	--	---

**1209/4 - BUS Power supply**

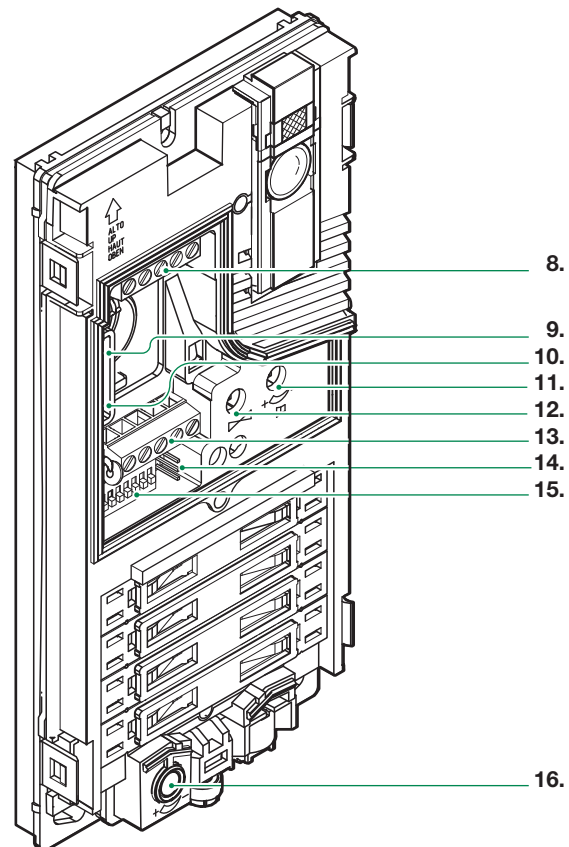
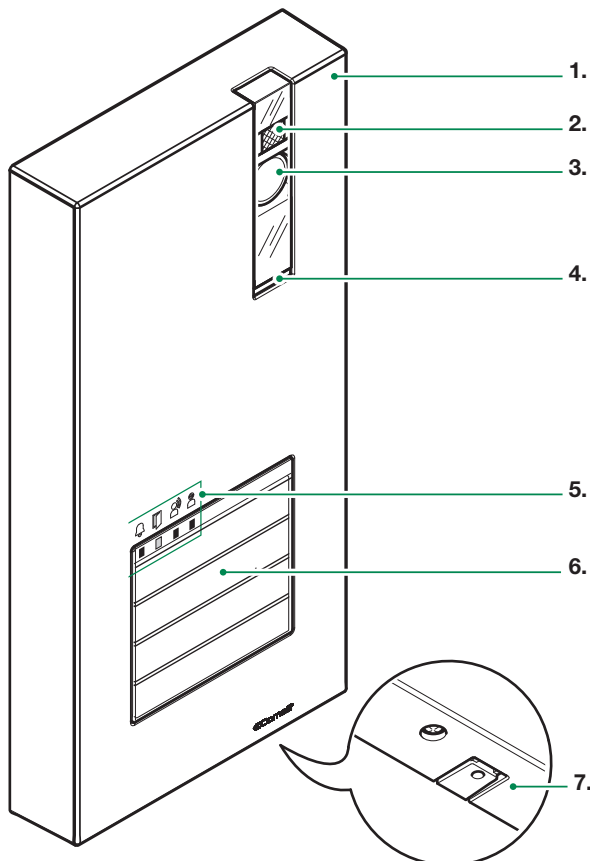
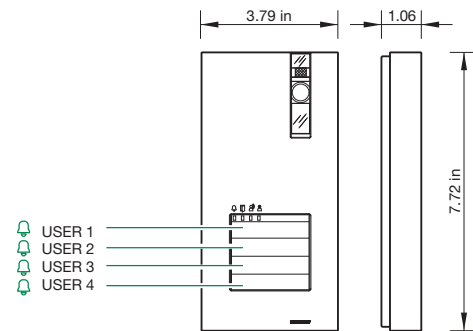
 <p>x1</p> <p>power supply</p>	 <p>x2</p> <p>screws</p>
---	---

**Technical manual**



## 2. Parts identification

### 2.1 EX-DSME EXTERNAL UNIT

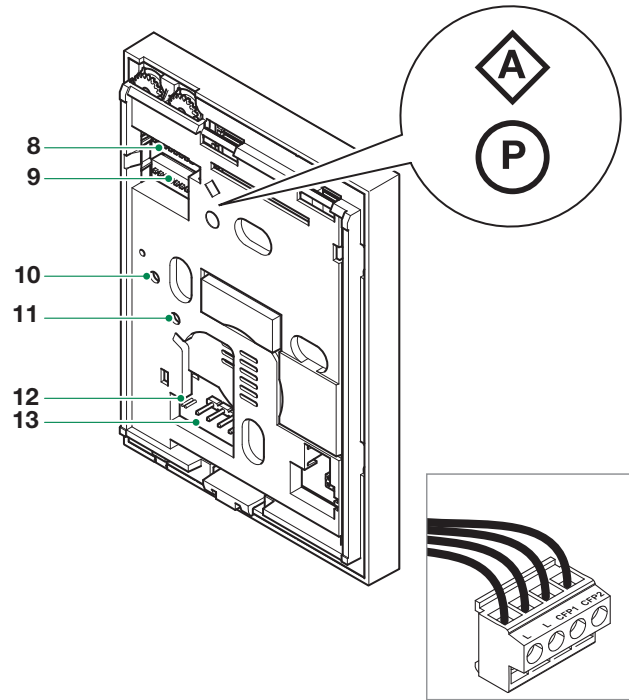
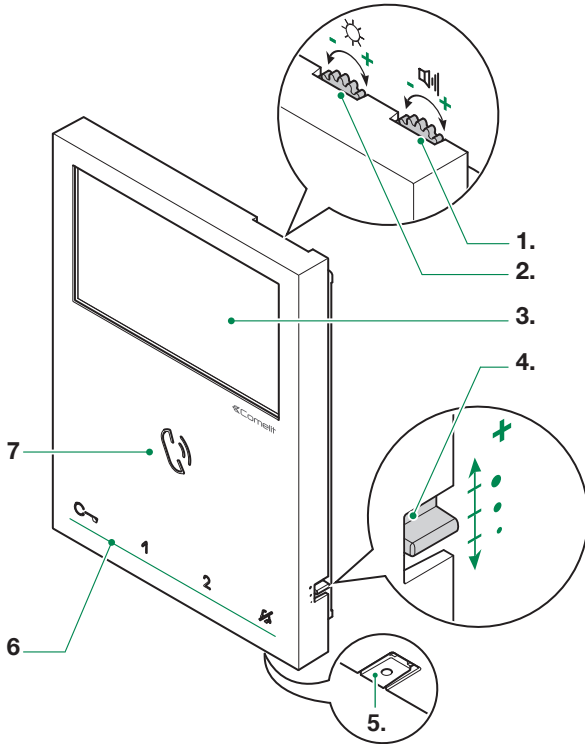
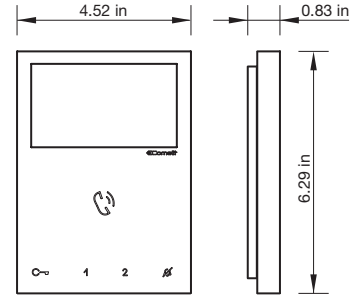


1. Die-cast aluminium cover
2. Camera lighting LED
3. Wide-angle colour camera
4. Loudspeaker
5. Indicator LED
  - call sent / lock-release enabled
  - audio enabled / system engaged
6. Call buttons
7. Microphone
8. Terminal block **M1**
  - LL** BUS line connection
  - RTE** timed local lock-release input
  - COM** common input for RTE and DO contacts
  - DO** door open indication input
9. **PR** programming input/output switch
10. **CNF** programming confirmation switch
11. Loudspeaker volume control
12. Audio balance (*Factory default do not touch*)

13. Terminal block **M2**
  - SE- SE+** connection for electric door lock
  - NC** relay normally closed contact
  - NO** relay normally open contact
  - C** relay common contact
14. **JP1** enable RC network for door lock filter on relay contacts
 

 NC NO	ON CONTACTS C. NO.	 NC NO	ON CONTACTS C. NC.
 NC NO	DISABLED: CLEAN CONTACT		
15. **DIP SWITCH** for function programming
16. Microphone volume control

## 2.2 EX-7000H MONITORS



1. Loudspeaker volume control
2. Brightness control
3. 4.3" Color LCD Screen
4. Call volume adjustment (high - medium - low)
5. Microphone
6. Capacitive-touch keys
7. Speaker and audio activation key / Paging call key
8. S1 Micro-switches for user code setting
9. S2 Micro-switches for programming keys and functions  
**DIP 1-2-3-4** for key function programming  
**DIP 5-6** access to programming  
**DIP 7** unused  
**DIP 8** leave default setting (OFF)
10. Factory setting - **DO NOT CHANGE!**
11. Factory setting - **DO NOT CHANGE!**
12. CV 5 Video closing jumper
13. Pin for securing terminal block

### Terminal block for system connection:

- LL** Bus line connection terminals
- CFP1 CFP2** Outside door call input

### Capacitive-touch key description:

- ▶ Press the desired key once to activate the function associated with it.

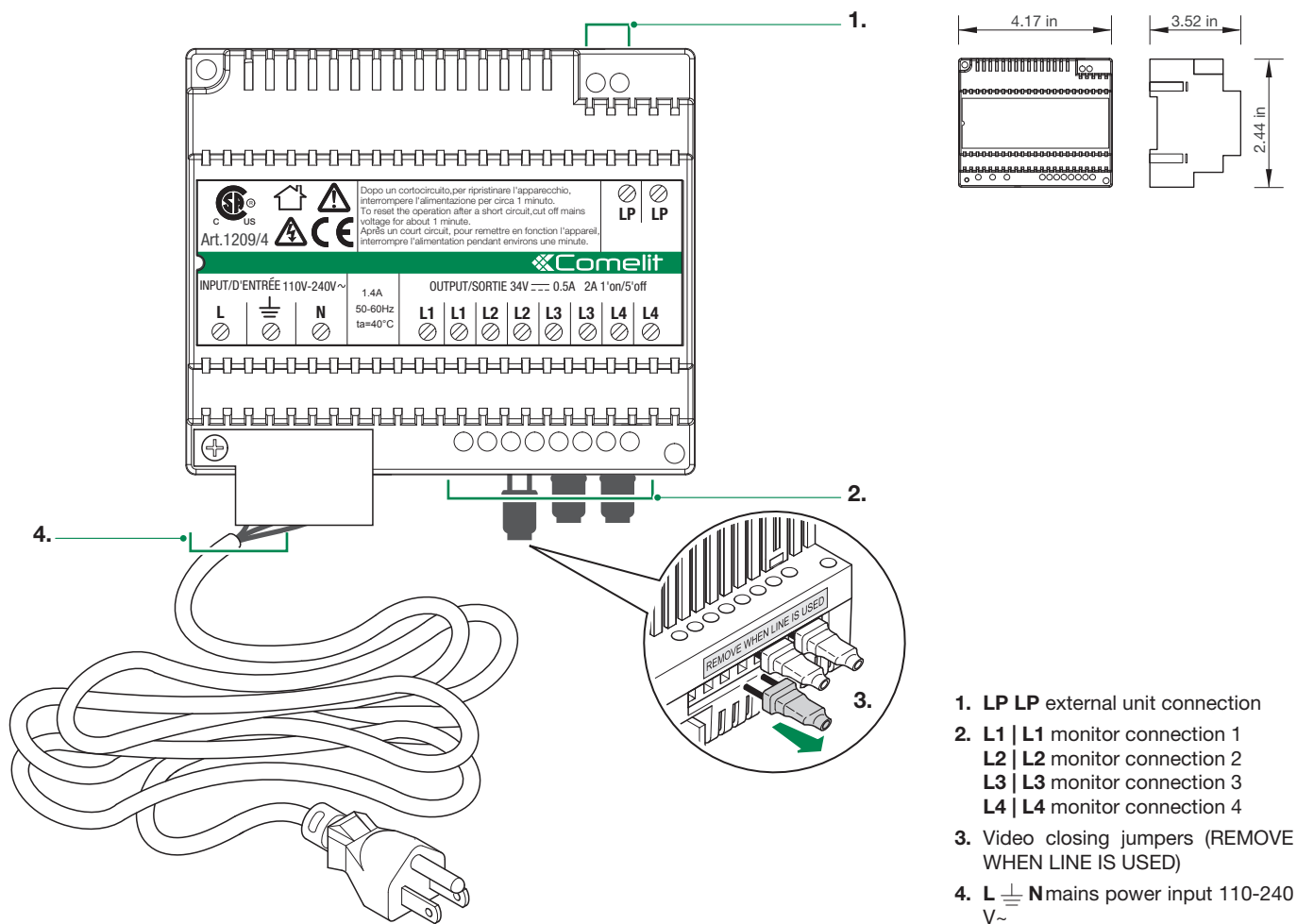
**Wait for approximately 1 sec. before pressing the same key again. Pressing the same key several times in quick succession will cancel the command.**

- Speaker and audio activation key / Paging call key
- Lock-release key
  - 1 Key 1 Actuator function (programmable)
  - 2 Key 2 Self-ignition function (programmable)
- Privacy key

### Indicator LED description:

- Lock-release LED**  
 slow continuous flashing: door open  
 1 flash after pressing: door opening confirmation  
 continuous flashing: call in progress  
 1 flash after programming: Confirm "Key programming executed"
- Privacy LED (red)**  
 steady: privacy function enabled  
 3 flashes (every 5 sec.): doctor function enabled  
 continuous flashing: device in programming mode
- Audio key LED**  
 steady (with call): audio activated  
 steady (idle): automatic answer activated  
 continuous flashing: incoming call

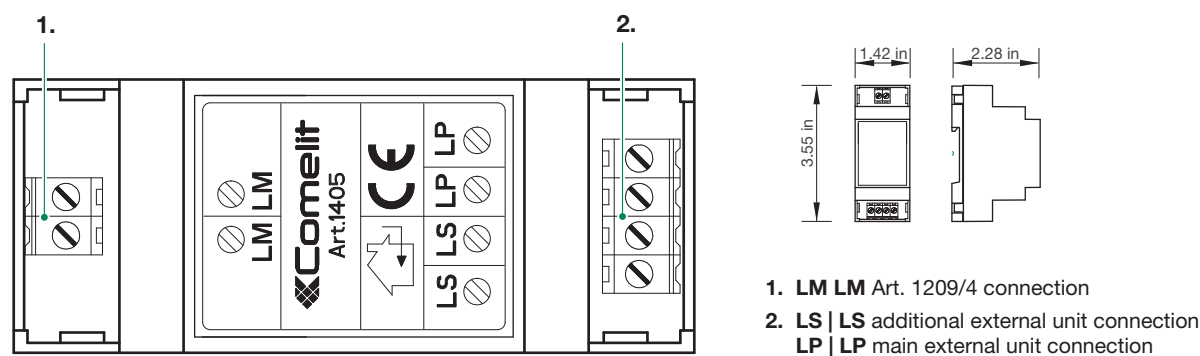
## 2.3 1209/4 BUS POWER SUPPLY



## 2.4 PARTS IDENTIFICATION FOR EXPANSION

<p><b>ADDITIONAL EXTERNAL UNIT</b></p>	<p>EX-DSQE</p> <p>EX-DSME + 1405</p>	<p>The art. <b>EX-DSQE</b> is the additional external unit and contains art. <b>EX-DSME</b> (to be programmed) and the video door expander art. <b>1405</b> (see point "2.4.1 art. 1405 Video door expander")</p>
--	--------------------------------------	---

### 2.4.1 Art. 1405 Video door expander

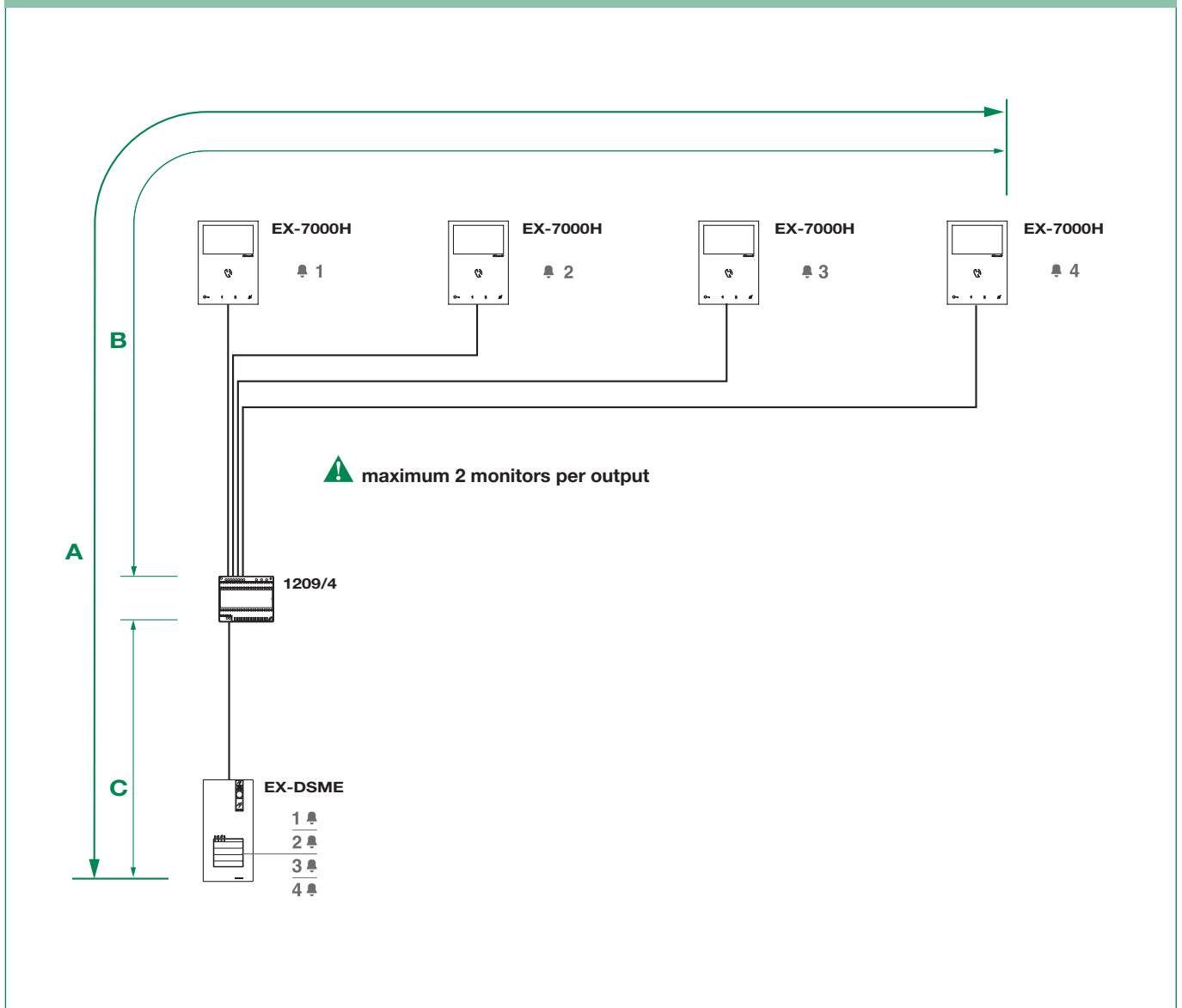


# 3. System installation

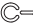

## 3.1 OPERATING DISTANCES AND SYSTEM LAYOUT

Wire Assignment	Wire Assignment	Wire Type	A max	B max	C max
SINGLE PAIR CABLE		CAT5 24AWG	1,115 feet (340 m)	557 feet (170 m)	557 feet (170 m)
DOUBLE PAIR CABLE		CAT5 24AWG	1,312 feet (400 m)	656 feet (200 m)	656 feet (200 m)
MULTI PAIR CABLE FOLLOW THE COLORS SHOWN IN THE DIAGRAM!		CAT5 24AWG	1,312 feet (400 m)	656 feet (200 m)	656 feet (200 m)
non-braided cable		AWG22	1,115 feet (340 m)	557 feet (170 m)	557 feet (170 m)
non-braided cable		AWG18	1,181 feet (360 m)	590 feet (180 m)	590 feet (180 m)

### 3.1.1 Four-Users Kit art. HFX-7004M

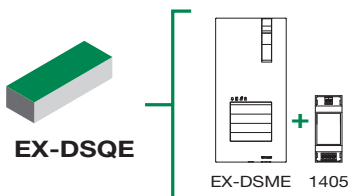




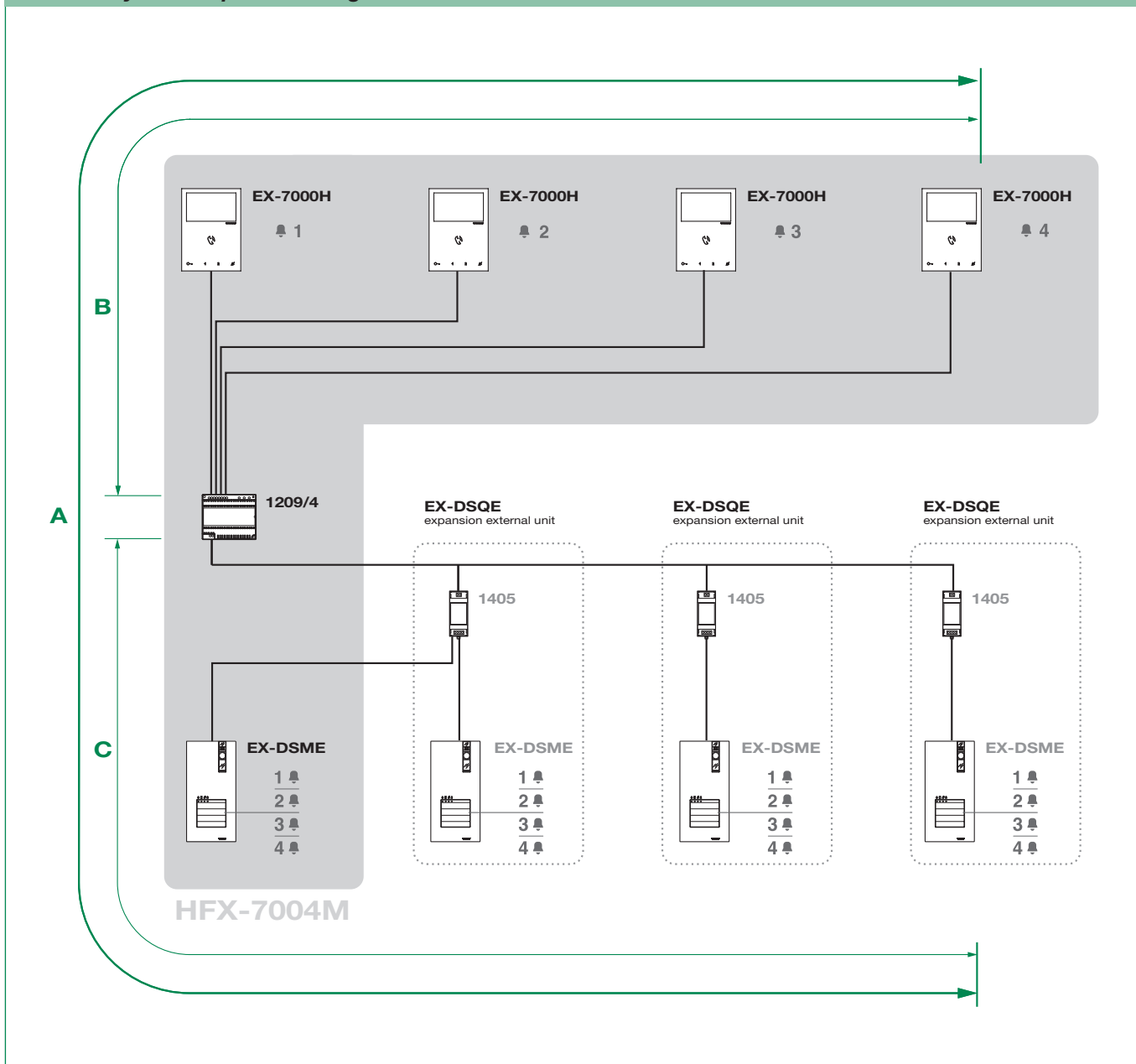
At the first connection on the riser, the internal units automatically acquire their sub-addresses. The LEDs  and  flash simultaneously for some seconds. After the procedure the LEDs will turn off.



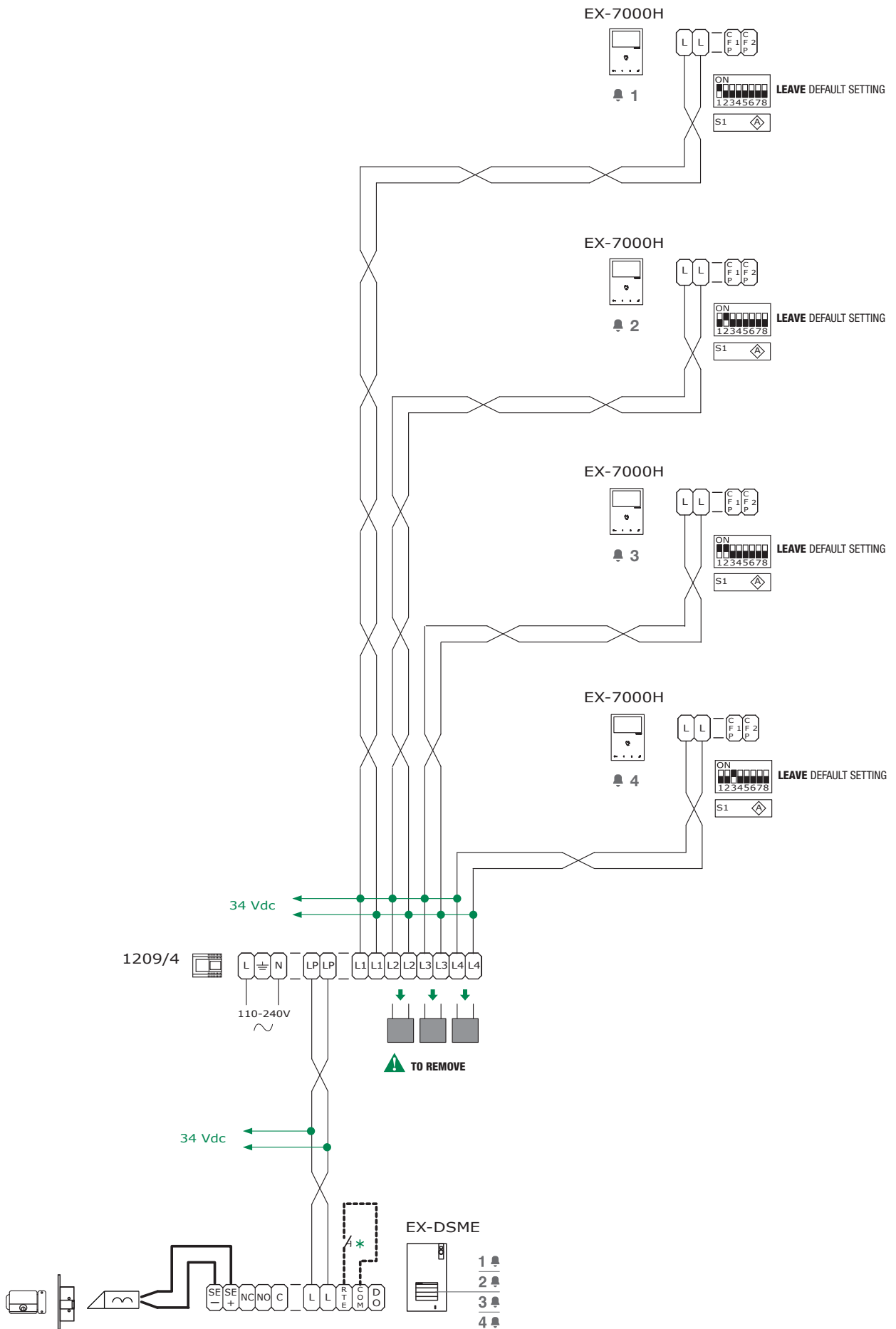
The art. EX-DSQE is the additional external unit for Single-User Kits and Four-Users Kit and contains the external unit art. EX-DSME (to be programmed) and the video door expander art. 1405



### 3.1.2 Full System Expansion Diagram



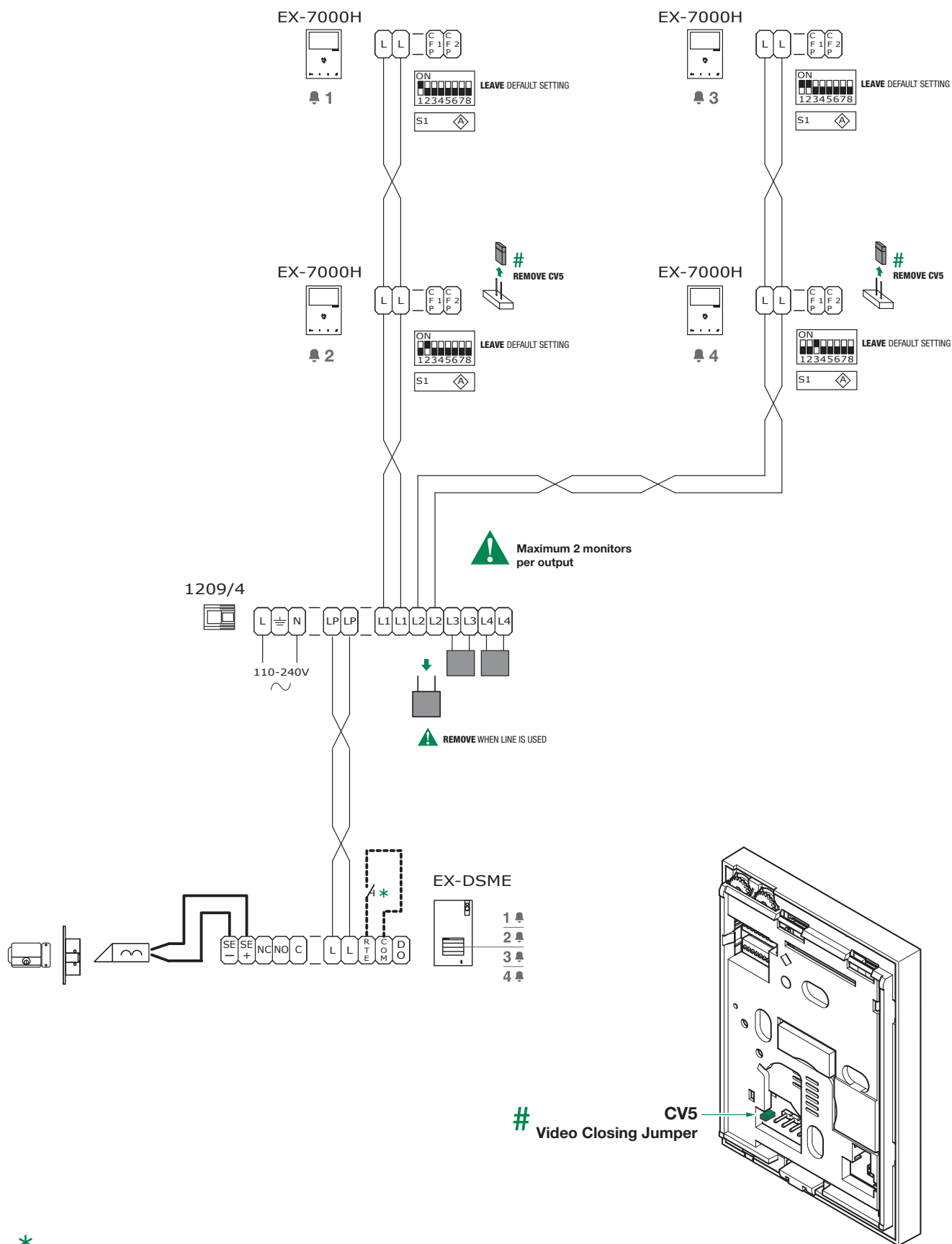
**STANDARD INSTALLATION**



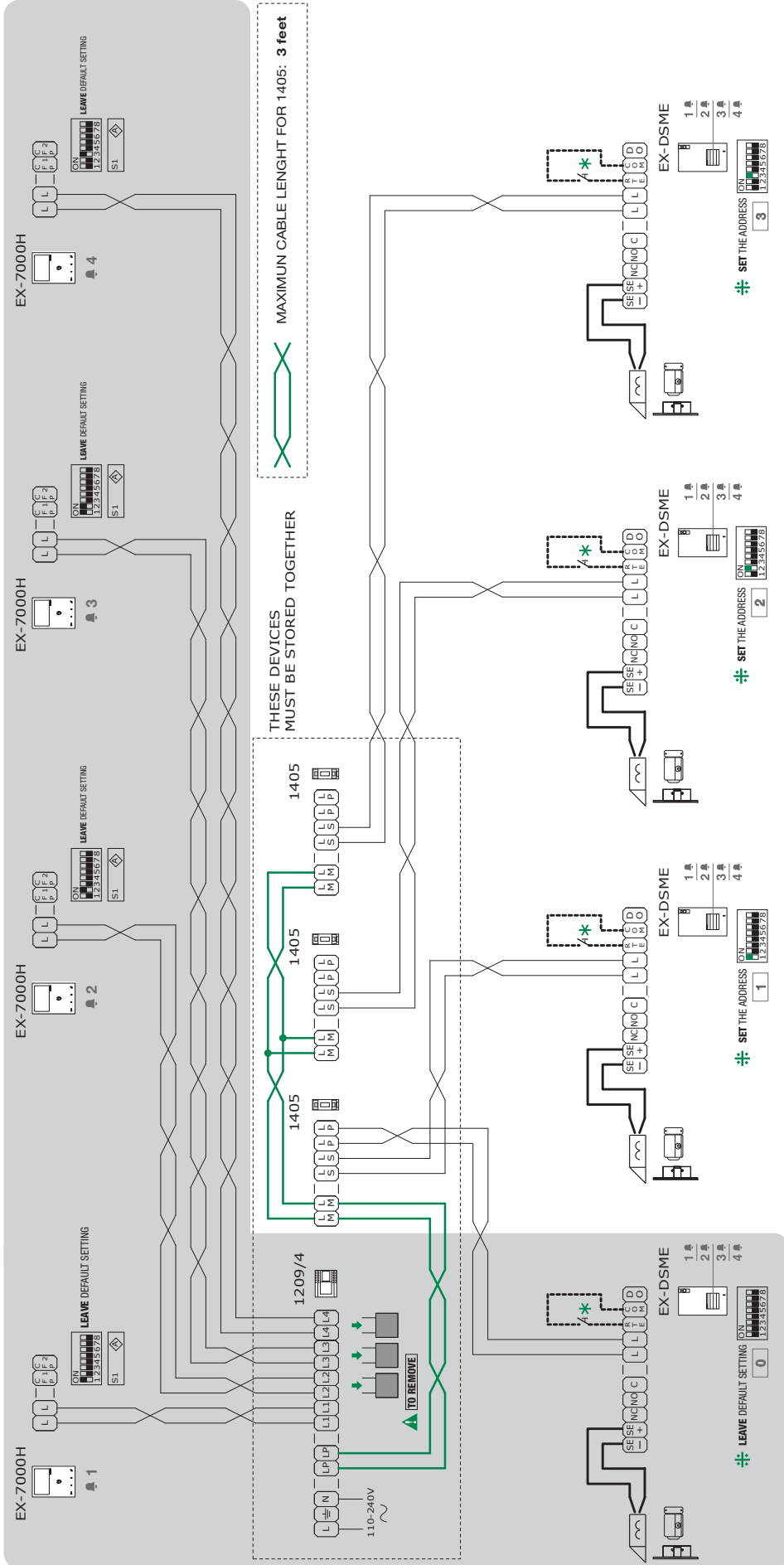
\* Local lock release button



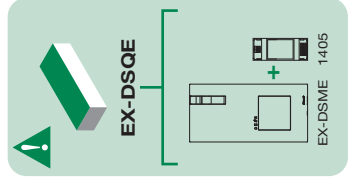
DAISY CHAIN CONNECTION



\* Local lock release button



# HFX-7004M



EX-DSME ADDRESSING			CODE
DIP 1	DIP 2	DIP 3	
0	0	0	0 (default)
1	0	0	1
0	1	0	2
0	0	1	3

**!** The addresses must be consecutive!  
 correct: 0,1,2,3 / incorrect: 0,1,3

⚠️ SET THE ADDRESS 3

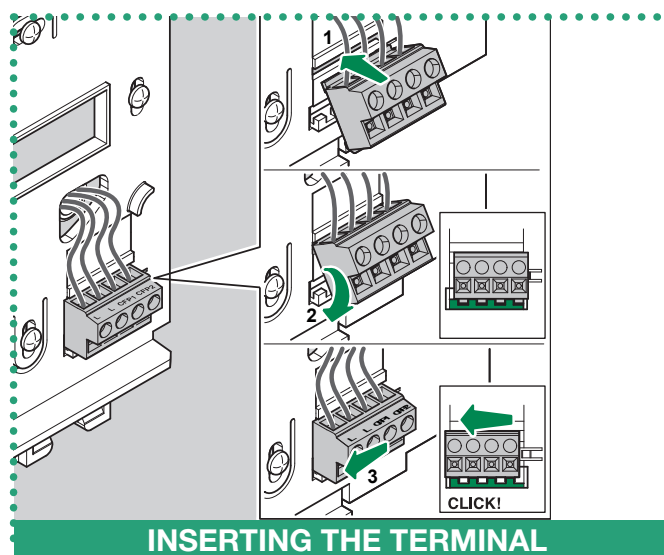
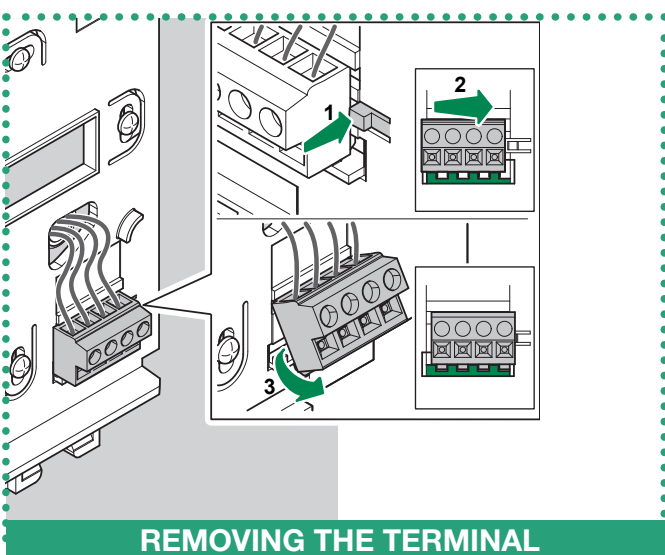
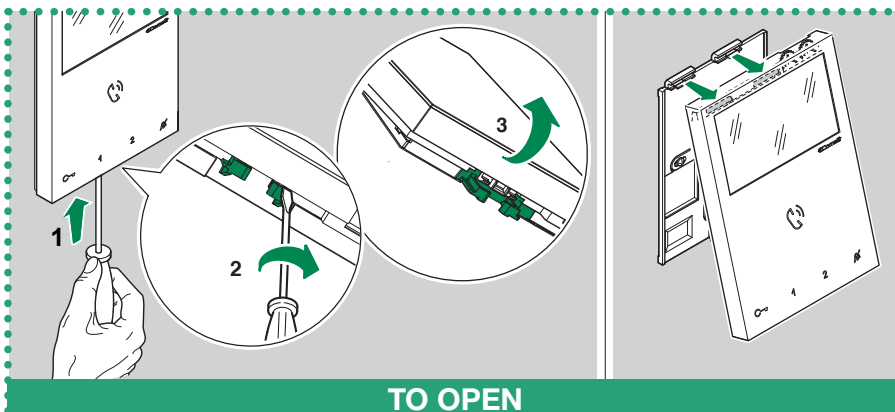
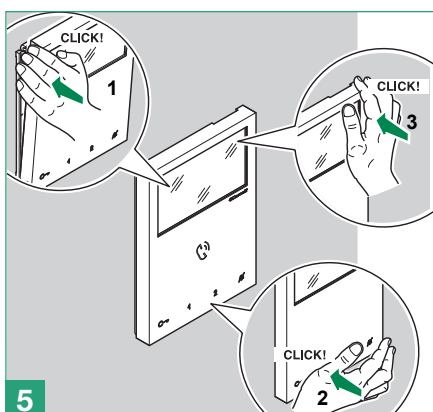
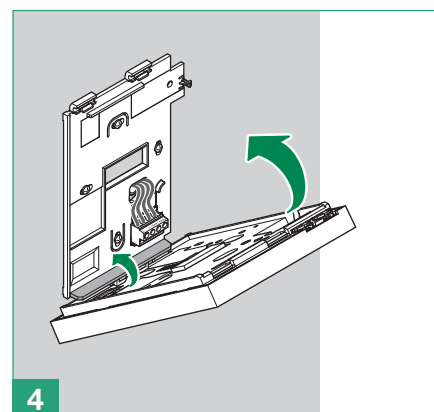
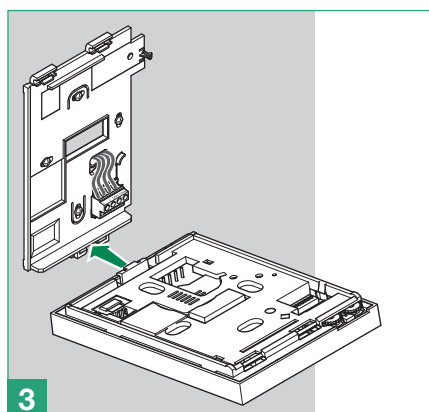
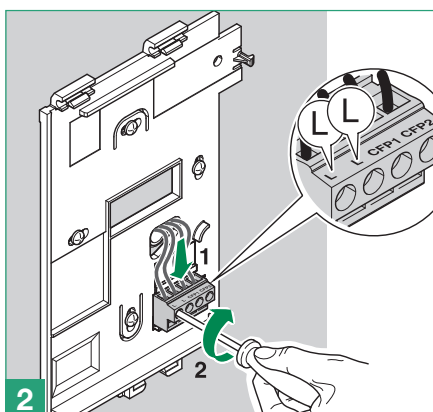
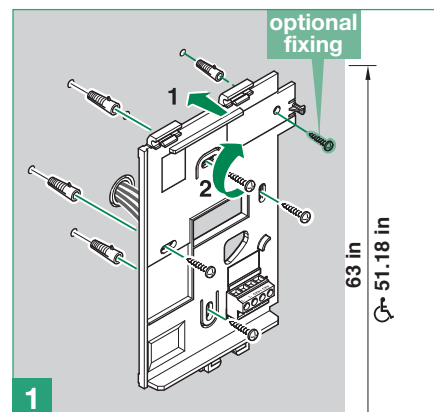
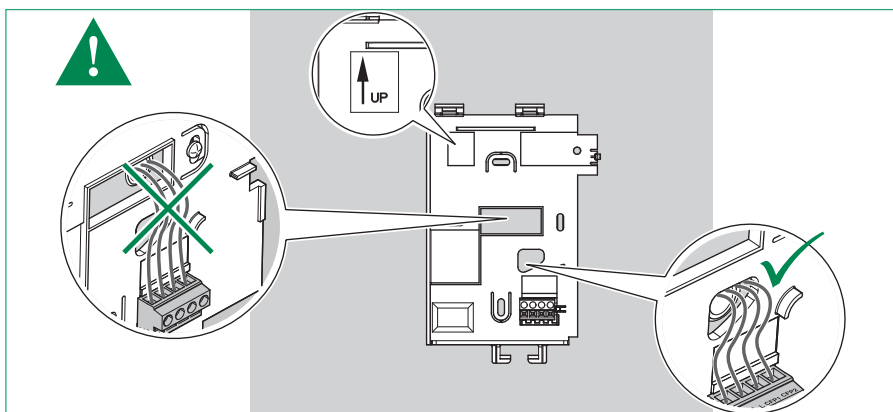
⚠️ SET THE ADDRESS 2

⚠️ SET THE ADDRESS 1

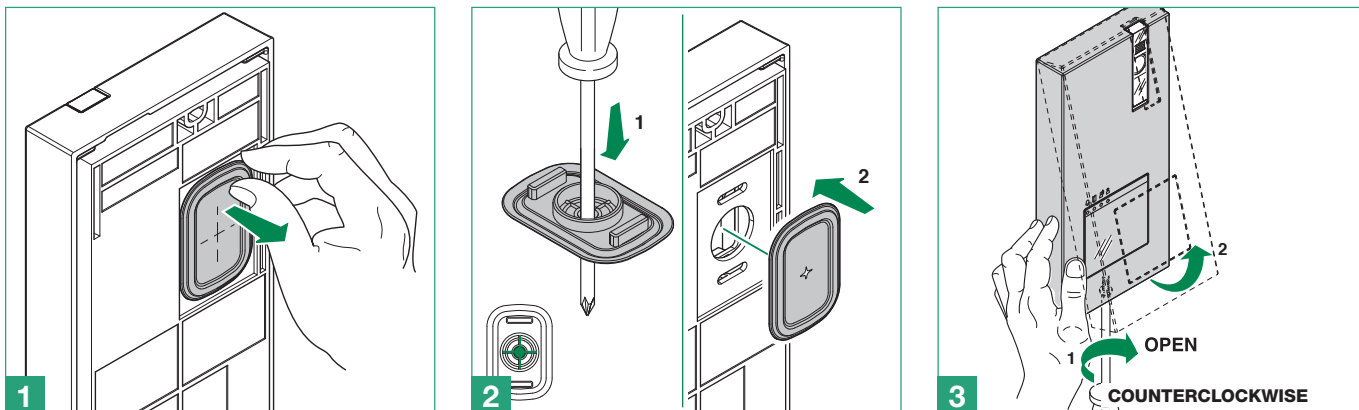
⚠️ LEAVE DEFAULT SETTING 0

⚠️ Local lock release button.

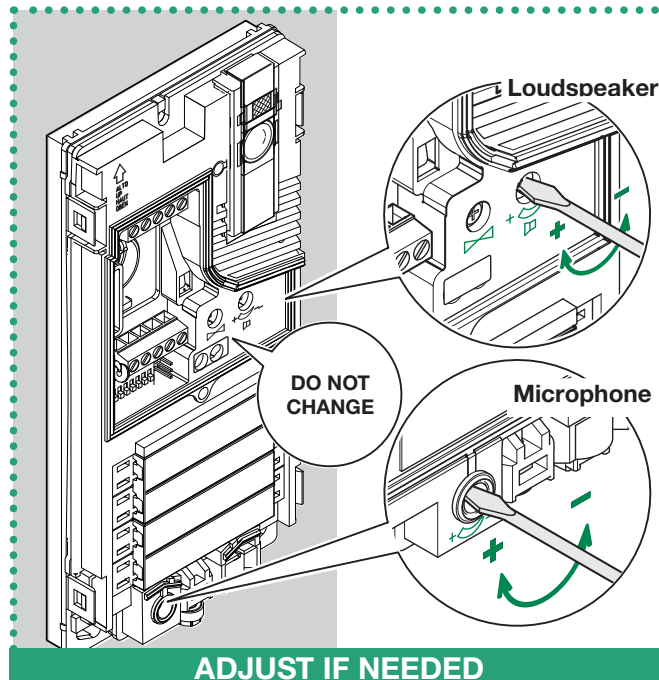
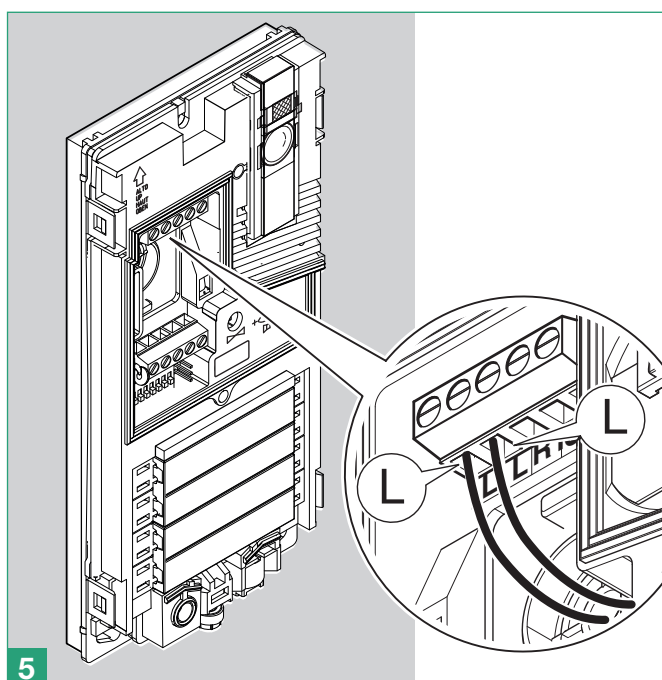
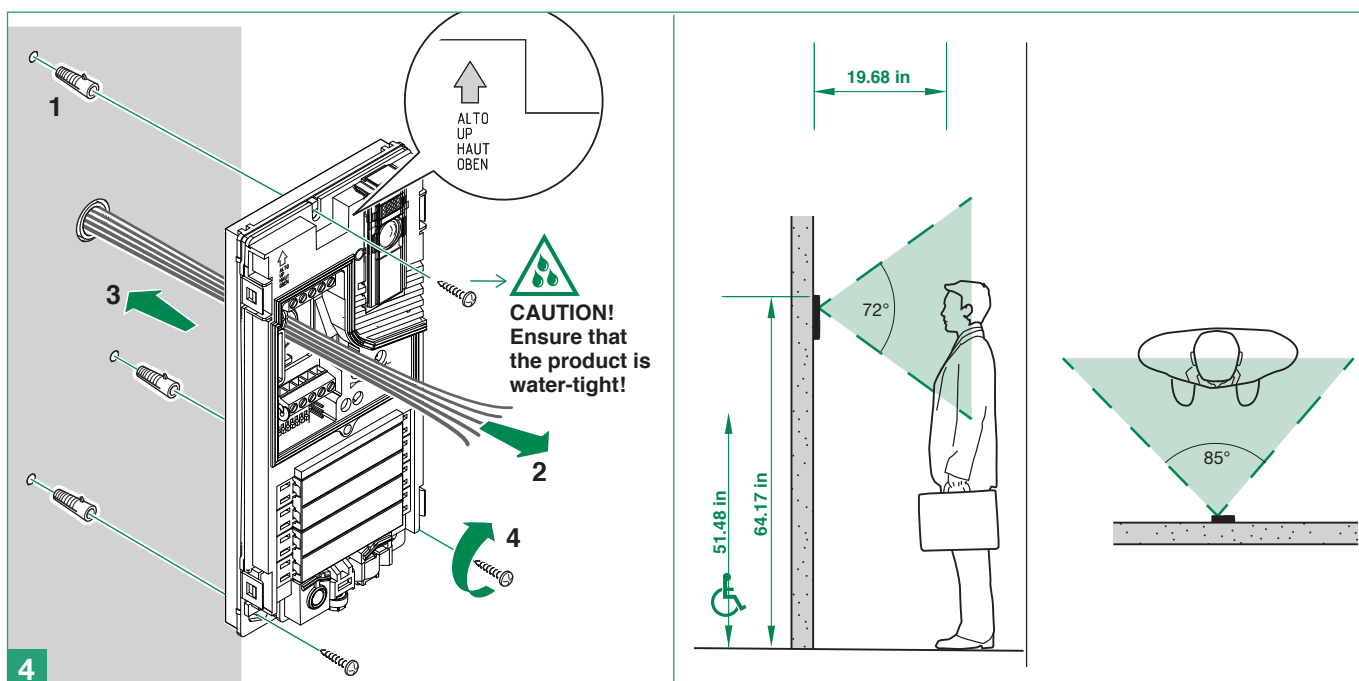
3.2 ASSEMBLY MINI HANDSFREE ART. EX-7000H INTERNAL UNITS



### 3.3 INSTALLATION OF EXTERNAL UNIT ART. EX-DSME



The camera must not be installed in front of light sources, or in places where the filmed subject is against the light. In dim environments, we recommend additional lighting is provided.

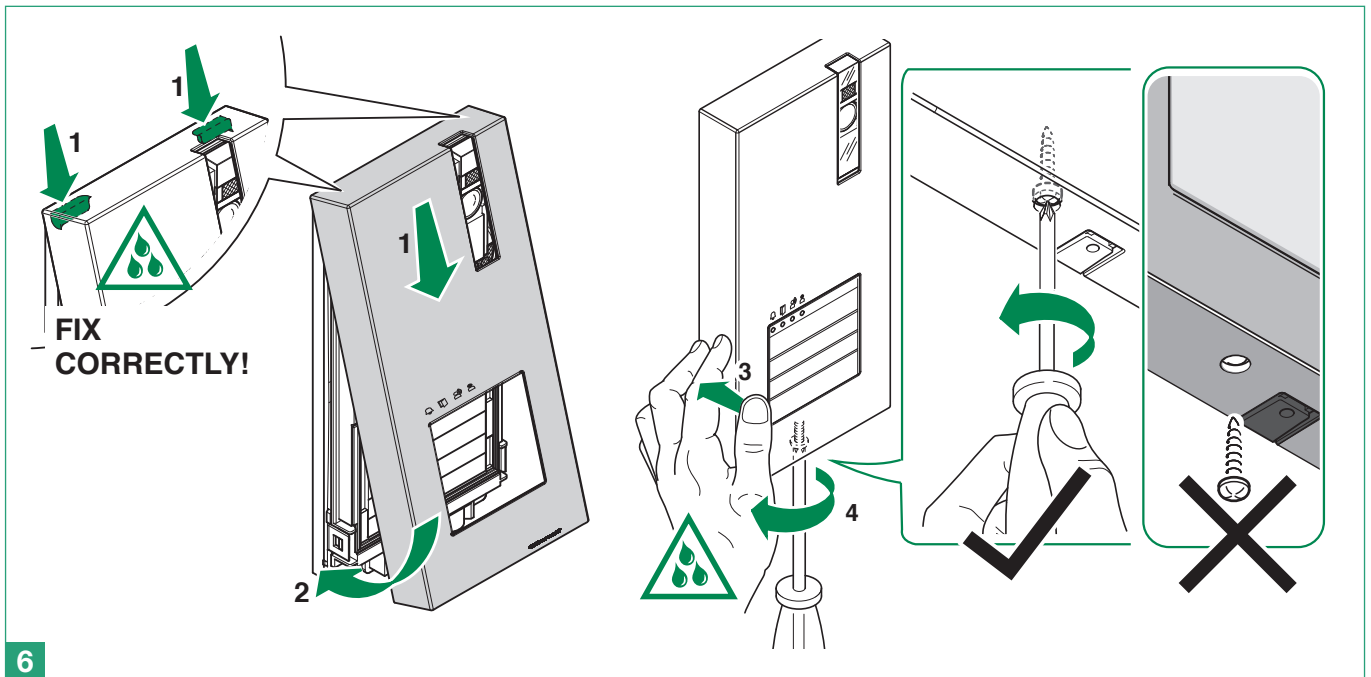




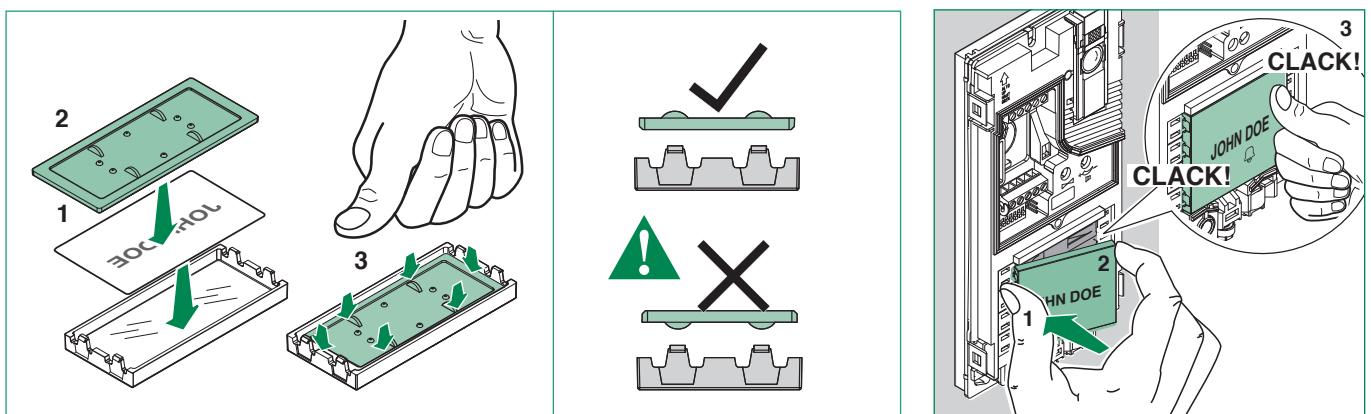
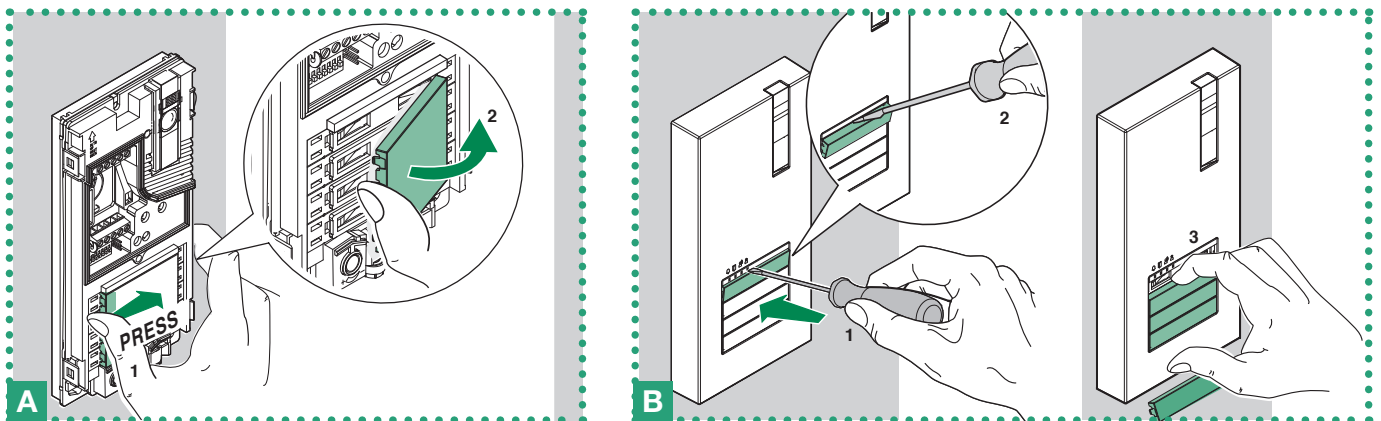
Before fixing the screw, make sure that you do not need to program the external unit (see the “Configuration EX-DSME” section on the complete manual [pro.comelitgroup.com](http://pro.comelitgroup.com)) and make sure that the metal front panel does not rub against other metal parts, with consequent risk of damage to its insulating coating.



To ensure that the product remains water-tight: make sure that the fixing procedure is carried out correctly.



### 3.3.1 How to change the nameplate of the external unit art. EX-DSME



**i** You can download the free software (art. 1235A) from the website [pro.comelitgroup.com](http://pro.comelitgroup.com) to print the entrance panel name tags, using the adhesive pre-cut sheets available in our catalogue (art. 1217A)

## 4. Additional features

This *Quick reference Guide* contains all the basic informations to install the four-user kit.



The full manual is available online via the QR code  
or by visiting [http://pro.comelitgroup.com/files\\_cms/14-manuali/file/MT\\_HFX-7004M.pdf](http://pro.comelitgroup.com/files_cms/14-manuali/file/MT_HFX-7004M.pdf)

### Additional features in the full manual:

- **Configuration Capacitive-touch keys art. EX-7000H**
  - Quick programming (generic actuator, internal intercom calls, internal paging calls, self ignition main external unit, doctor function)
  - Special key programming (generic actuator, coded actuator, internal intercom calls, general intercom calls to another user code, internal paging calls, general paging to another user code, self ignition main external unit, doctor function)
  - Reset programming art. EX-7000H
  - Range programming art. EX-7000H
  - Monitor ringtone selection art. EX-7000H
- **Configuration EX-DSME**
  - External unit addressing
  - Function programming
    - The lock-release relay and the second relay are controlled by 2 separate buttons (default: they are controlled by a single button)
    - lock-release activation time and relay activation time: 8 sec (default: 2 sec)
    - confirmation tones: disabled (default: enabled)
    - camera lighting LED: disabled (default: enabled)
    - reset wait time: 1 sec (default:10 sec)
  - Call address programming for 2/4 users
    - button 1 enabled with call address 1 (default)
    - buttons 1-2 enabled with call addresses 1-2
    - buttons 1-2-3-4 enabled with call addresses 1-2-3-4
    - restore default
- **Actuator relay module art. 1256**

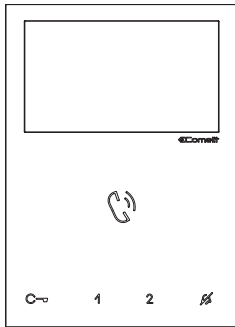
The art. 1256 is an Intelligent device for controlling a 10A relay for general uses:

  - External unit lighting control,
  - Activation function on Actuator pushbutton (gate control, lighting control, lift control...),
  - Activation function on Actuator with code pushbutton (gate control, lighting control, lift control...).
- **CCTV camera interface art. 1409**

Art. 1409 allows to manage analog CCTV camera (up to 3). The module is capable of operating in different modes depending on the type of usage:

  - Generic actuator mode
  - Actuator with code mode

# 5. System function

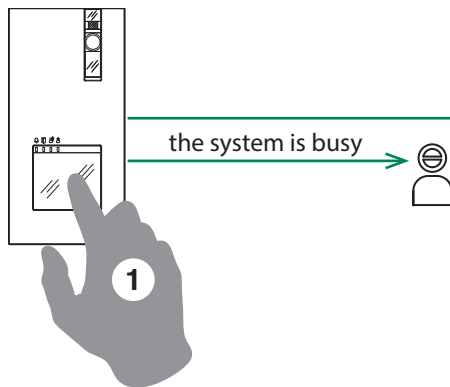


- Answer call / Paging call
- Lock-release key
- Key 1 Actuator function (Programmable)
- Key 2 Self-ignition function (Programmable)
- Privacy mode

## 5.1 PERFORMING CALLS

### 5.1.1 How to call from the external unit

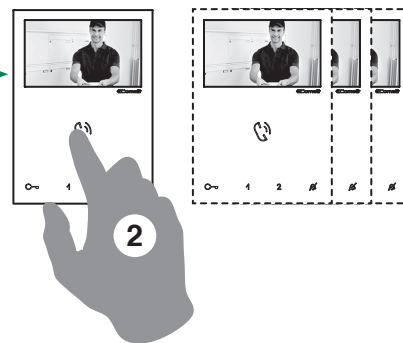
- ▶ To send the call from an external unit, touch the button corresponding to the user you want to contact.
  - » On the external unit the caller illumination LED will light up, the LED will flash and the confirmation tone will sound. The video image from the external unit will appear automatically on internal monitor/s.
  - » If the system is busy: the LED will flash and the external unit will emit the system busy tone.



### 5.1.2 How to answer a call from an internal unit

- » On receipt of a call from the external unit you will hear the call ringtone
- ▶ Press to enter into communication with the caller
  - » the LED will illuminate on the external unit.
- ▶ Press again to terminate the call.

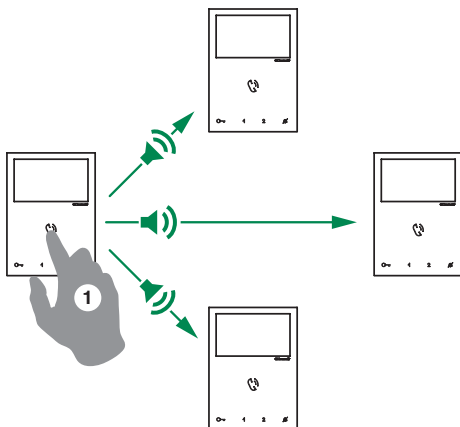
**A call from the external unit always takes priority over an intercom communication or a paging call**  
 » the call in progress will be ended for the other devices.



## 5.2 PAGING CALL

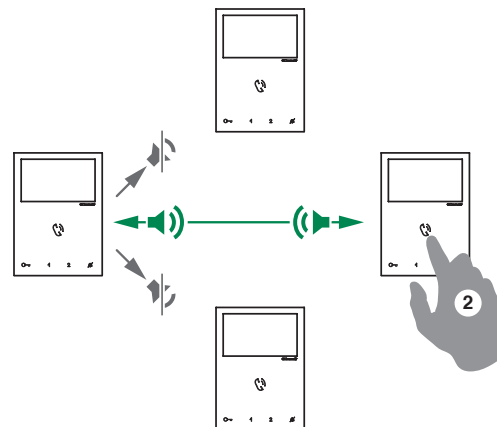
### 5.2.1 How to initiate a paging call

- ▶ Press to initiate the all-page chime
  - » After the chime sounds, a 30 seconds message can be broadcast to all monitors on the system (maximum 4 monitors).



### 5.2.2 How to answer a paging call

- ▶ Press to answer the paging call
  - » a (300 seconds) point to point conversation between the two monitor is established.
  - » the paging call will be terminated for the other devices.

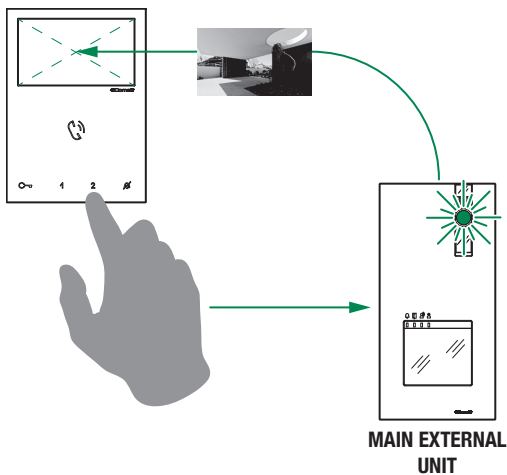


**A call from the external unit always takes priority over an intercom communication or a paging call**  
 » the call in progress will be terminated for the other devices.



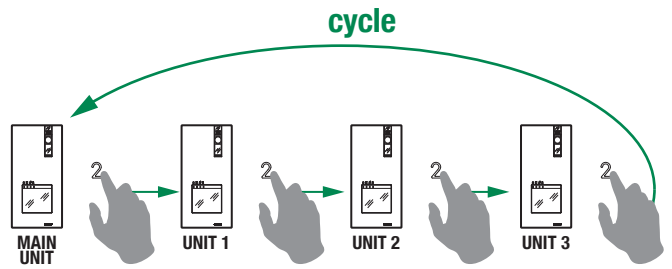
### 5.3 SELF-IGNITION FUNCTION

- ✓ Self-ignition is possible only when the system is in standby
- ▶ Press the self-ignition button ( 2 by default) to display on the monitor the video from the external unit.





- ▶ Press again to cycle through several cameras

**! If a call is underway with an external unit it is NOT possible to cycle between the external units**





### 5.4 LOCK RELEASE FUNCTION



- ✓ During “call in progress” or during Self-ignition.
- ▶ Press  to release the lock.
- » the  LED will illuminate on the external unit.

### 5.5 ACTIVATION/DEACTIVATION PRIVACY MODE



- ▶ Press  to disable/enable the ringtone for calls from the external unit and paging call.
- » The red  LED indicates that the Privacy function is active.



**In Privacy mode the paging call are still received**



## 6. Technical specification

### 6.1 EX-7000H MONITORS

<b>Display</b>	4.3" Color LCD Screen
<b>Resolution</b>	480x272pixel
<b>Auto Timer (intercom)</b>	300sec
<b>Operating Temperature</b>	Class B1 normal range indoor 41° F /104° F (5°C / 40°C)
<b>Dimensions (with bracket) W×H×D</b>	4.52×6.29×0.83 in (115×160×21.5 mm)
<b>Power consumption</b>	10 W MAX

### 6.2 EX-DSME EXTERNAL UNIT

<b>Image Sensor</b>	1/4" CMOS
<b>Resolution</b>	600TVL - 640(H)*480(V)
<b>Camera Lens</b>	2.1 mm
<b>View Angle</b>	100° diagonal
<b>Auto Light Sensor</b>	NO
<b>Operating Temperature</b>	Class A2 wide range outdoor -13°F / 131°F (-25°C / + 55°C)
<b>Dimensions (with bracket) W×H×D</b>	3.79×7.72×1.06 in (96.2×196.2×27 mm)
<b>Power consumption</b>	8W MAX
<b>Door release: (relay contact)</b>	24V DC 2A
<b>Door release: (direct current output)</b>	1000uF-25V capacitive discharge - 12 Vdc-200 mA holding
<b>Compatible locks</b>	12V AC, 12V DC

### 6.3 1209/4 BUS POWER SUPPLY

<b>Power consumption</b>	12W MAX
<b>Operating Temperature</b>	Class A1 wide range indoor 23° F /104° F (-5°C +40°C)
<b>Dimensions W×H×D</b>	4.17×3.52×2.44 in (106×89.5×62 mm)
<b>CSA Rating</b>	US and Canada

### 6.4 ACTUATOR RELAY MODULE ART. 1256

<b>Power consumption</b>	1.5W MAX
<b>Operating Temperature</b>	32° F / 86° F (0°C / 30°C)
<b>Dimensions W×H×D</b>	2.6×3.35×1.38 in (66×85×35 mm)

### 6.5 REMOTE CAMERA MODULE ART. 1409

<b>Power consumption</b>	3W MAX
<b>Operating Temperature</b>	23° F/104°F (-5°C/+40°C)
<b>Dimensions W×H×D</b>	2.6×3.35×1.38 in (66×85×35 mm)

### 6.6 VIDEO DOOR EXPANDER ART. 1405

<b>Power consumption</b>	0,2W MAX
<b>Operating Temperature</b>	23° F/104°F (-5°C/+40°C)
<b>Dimensions W×H×D</b>	1.42×3.54×2.28 in (36×90×58 mm)

# 7. Appendix

## 7.1 WARNING

### WARNING:

TO REDUCE THE RISK OF FIRE OR ELECTRIC SHOCK, DO NOT EXPOSE THE MONITOR OR POWER ADAPTER TO WATER OR MOISTURE.

### CAUTION:

DO NOT OPEN. RISK OF ELECTRICAL SHOCK.

### CAUTION!

TO REDUCE RISK OF ELECTRICAL SHOCK, DO NOT REMOVE COVER OR BACK, NO USER SERVICEABLE PARTS INSIDE, REFER SERVICING TO QUALIFIED SERVICE PERSONNEL.

### OTHER WARNINGS

- Monitor is designed for indoor use only. Do not install outdoors.
- Keep the equipment dry. If water should get in, wipe off immediately. Water contains minerals that can erode electronic circuits.
- Intercom system is not operational during a power failure .
- Intercom system may be affected by radio frequency interference or EMI (electrical magnetic interference) in areas where broadcasting station antennas are close by.
- Keep all wiring at least 1 foot away from fluorescent lighting, dimmer switches and AC power.

### EXPLANATION OF TWO SYMBOLS



The lightning flash with arrowhead symbol, within an equilateral triangle, is intended to alert the user to the presence of uninsulated "dangerous voltage" within the product's enclosure that may be of sufficient magnitude to constitute risk of electrical shock to persons.



The exclamation point within an equilateral triangle is intended to alert the user to the presence of important operating and maintenance (servicing) instructions in the literature accompanying the appliance.

## 7.2 IMPORTANT SAFETY INSTRUCTIONS

### WARNING:

TO REDUCE THE RISK OF FIRE OR ELECTRIC SHOCK, DO NOT EXPOSE THE MONITOR OR POWER ADAPTER TO WATER OR MOISTURE.

- **Read Instructions** -All the safety and operating instructions should be read before operating this equipment. These instructions should be retained for future reference.
- **Heed Warnings** - All warnings on the equipment and in the operating instructions should be adhered to. All instructions regarding care and operation of this equipment should be followed.
- **Power Sources** - Equipment should only be connected to the power supply specified in the operating instructions or as marked on the equipment.
- **Power Cord Protection** - Keep cable cords and plugs clear off other objects, particularly at the point where they exit the equipment.
- **Cleaning** - Clean the equipment by wiping with a soft cloth (do not use any abrasive agents or water).
- **Non-use Periods** - Power cords should be unplugged from the outlet when left unused for a long period of time.
- **Object and Liquid Entry** - Take care not to drop objects or liquids on any part of the equipment.
- **Damage Requiring Service** -The unit should be serviced by a qualified service personnel when:
  - The power supply cord or the plug has been damaged or
  - Objects have fallen, or liquid has been spilled onto the equipment or
  - The equipment has been exposed to rain or
  - The equipment does not appear to operate normally or exhibits a marked change in performance or
  - The equipment has been dropped and/or the enclosure has been damaged.
- **Servicing** - Do not attempt to service the appliance beyond that described in the operating instructions. All other servicing should be referred to as Qualified Distributor's Service Personnel.

## **7.3 FCC CLASS B NOTICE**

### **NOTE:**

This equipment has been Certified and found to comply with the limits regulated by FCC. and CE. Therefore, it is designed to provide reasonable protection against interference and will not cause interference with other appliance usage. However, it is imperative that the user follows this manuals guidelines to avoid improper usage which may result in damage to the unit, electrical shock, and fire hazard or injury. In order to improve the feature functions and quality of the product, the specifications are subject to change without notice from time to time.

### **NOTE:**

This equipment has been tested and found to comply with the limits for a Class B digital device, pursuant to Part 15 of the FCC rules. These limits are designed to provide reasonable protection against harmful interference in a residential installation. This equipment generates uses and can radiate radio frequency energy and, if not installed and used in accordance with the instructions, may cause harmful interference with radio communications. However, there is no guarantee that interference will not occur in a particular installation. If this equipment does cause harmful interference to radio or television reception, which can be determined by turning the equipment off and on, the user is encouraged to try to connect the interference by one or more of the following measures:

- Reorient or relocate the monitor unit
- Increase the separation between the monitor and camera
- Connect the equipment on a separate outlet
- Consult the dealer or an experienced radio or television technician

## **7.4 GENERAL PRODUCT WARRANTY:**

For all **Comelit Branded Products 2 year manufacturer's warranty** from dealer date of Purchase. Proof of purchase by the dealer in the form of an invoice is necessary for all returns.

### **RMA (RETURN) Policy:**

1. Before Requesting an RMA Number, the installer must call into our Tech support line to verify the condition of the product and for trouble shooting purposes in order for Comelit to determine if an RMA needs to be issued.
2. If technical support does deem that a return is needed, they will issue a trouble ticket number associated with the issue related to the defective product. Trouble tickets are needed for all distributors to receive a RMA number.
3. All equipment must be returned as received from the manufacturer with all parts included. If all parts are not received, this may cause a delay in the processing of the RMA and possible return of the parts to the customer.
4. Return freight is paid by the customer (non-reimbursable). Comelit will pay "Return to Customer" freight charges.
5. Product "out of warranty" is subject to repair charges to be paid by the customer.

### **For all Comelit products (Comelit Kits and Multi-tenant parts, excluding the HFX series and related parts)**

1. New Replacements will be given on all returns of defective products. Credit is only given to distributors in special circumstances based on Comelit approval.
2. For Distributors asking for Credit, the purchase invoice must be included in the return shipment.
3. All RMA's must include the RMA form completely filled out.
4. Units sent in without proper paperwork will incur delays in processing and will be returned to the requester.

### **For RMA inquiries please contact:**

#### **Comelit USA RMA Department**

Toll Free: (888) 692-9739 Option 4  
Main office: (626) 930-0388 Option 4  
tech@comelitusa.com  
rma@comelitusa.com



[FULL MANUAL]



CERTIFIED MANAGEMENT SYSTEMS



[www.comelitgroup.com](http://www.comelitgroup.com)

Via Don Arrigoni, 5 - 24020 Rovetta (BG) - Italy

