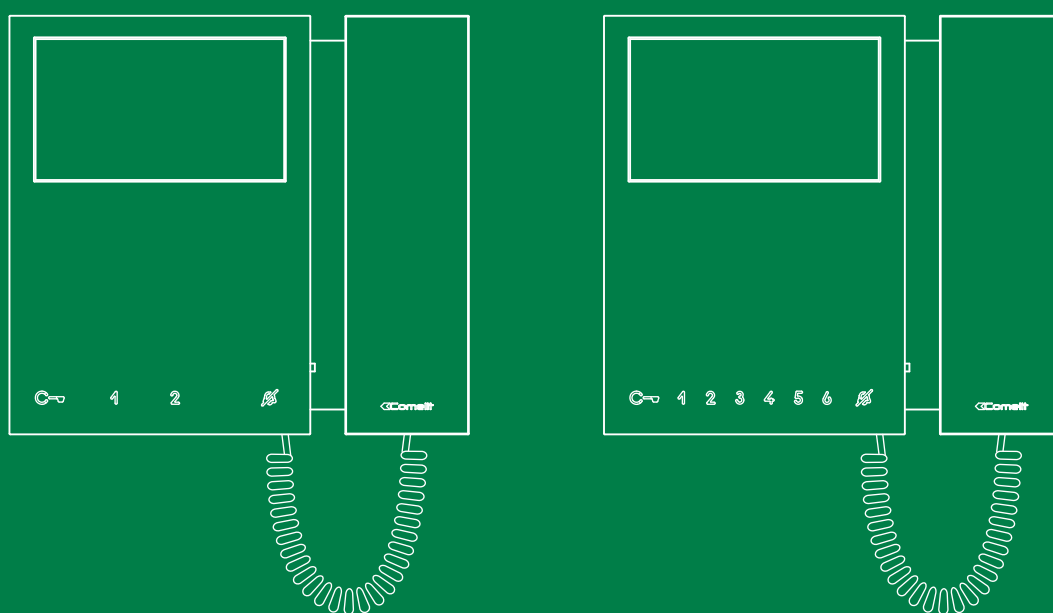


EN

TECHNICAL
MANUAL



Mini door entry monitor with handset
Art. 6701W, 6701W/BM, 6701W/8

 **Comelit**[®]
Passion. Technology. Design.

Warning

Intended use

This Comelit product has been designed and manufactured for use in the creation of audio and video communication systems in residential, commercial, industrial and public buildings.

Installation

All activities connected to the installation of Comelit products must be carried out by qualified technical personnel, with careful observation of the indications provided in the Manuals / Instruction sheets supplied with those products.

Wires

Disconnect the power supply before carrying out any operations on the wiring.

Use wires with a cross-section suited to the distances involved, observing the instructions provided in the system manual.

We advise against running the system wires through the same duct as power cables (230V or higher).

Safe usage

To ensure Comelit products are used safely:

- carefully observe the indications provided in the Manuals / Instruction sheets,
- make sure the system created using Comelit products has not been tampered with / damaged.

Service

Comelit products do not require maintenance aside from routine cleaning, which should be carried out in accordance with the indications provided in the Manuals / Instruction sheets.

Any repairs must be carried out:

- for the products themselves, exclusively by **Comelit Group S.p.A.**,
- for the systems, by qualified technical personnel.

Disclaimer

Comelit Group S.p.A. does not assume any responsibility for

- any usage other than the intended use
- failure to observe the indications and warnings contained in this manual.

Comelit Group S.p.A. reserves the right to change the information provided in this manual at any time and without prior notice.

Table of contents

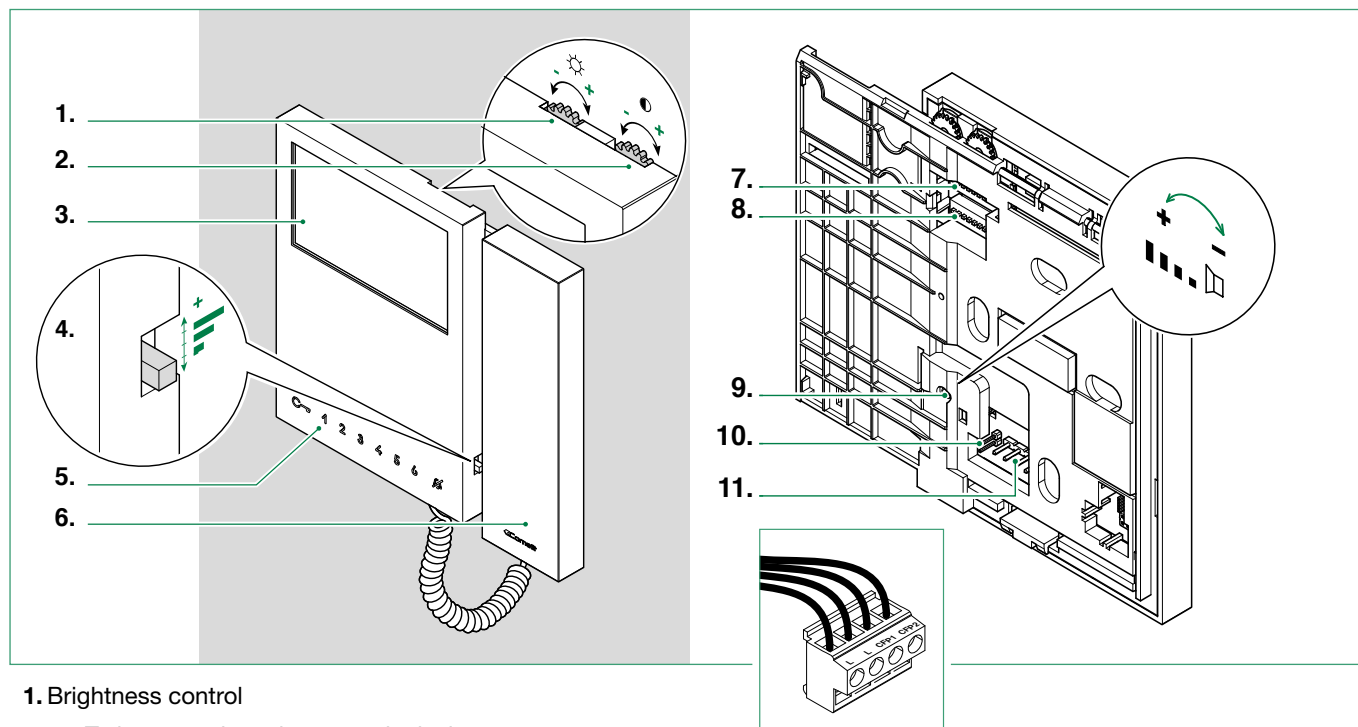
Warning	2	Advanced configuration	10
Door entry monitor description	3	Intercom call	10
Legend: buttons and indicator LEDs	4	Introduction	10
Pressing and holding keys (disabled by default from firmware version 3.0.1 (3.2.0 for 6701W/8).....	4	General intercom call: button programming	10
Automatic lock-release on receipt of call (Doctor mode)	4	Intercom call to selective address: button programming	10
Self Activation	4	Selective intercom address	11
Technical specifications	5	Assigning selective address	11
Installation	6	Deleting the selective address of the door entry monitor.....	11
Removing/Fitting the Terminal	7	Generic actuator, coded actuator	11
Connections	7	Generic actuator : button programming.....	11
Settings	8	Coded actuator : button programming.....	12
Main and secondary door entry monitors	8	Other functions: button programming	12
Button configuration	9	Programming range	12
Basic configuration	9	Changing the ringtone	13
Legend.....	9	Programming reset	13
		Addressing table	14
		System performance and layouts	14

Door entry monitor description

Wall-mounted door entry monitor with 4.3" / 16:9 colour screen and handset. Allows brightness and colour control, plus adjustment of the ringtone volume, which can be customised by choosing one of several different melodies. Equipped as standard with 4 soft touch buttons (8 with 6701W/8) for controlling lock-release, self activation, switchboard call and Privacy function, as well as door status indicator LEDs. Manages floor door calls as standard. Complete with 2 x 8-position dip-switches for programming the user code and button programming. The backplate for wall installation or domestic series box installation and the distribution terminal from riser art. 1214/2C are included. The door entry monitor can only be used in **2-wire Simplebus2 systems**. Dimensions (L x H x D): 175x160x22 mm.

Option of adding 4 additional buttons to Art. 6701W-6701W/BM with accessory Art. 6733W.

Item 6701W/BM is not supplied with backplate 6710.



1. Brightness control

- ▶ To increase the value, turn clockwise

2. Colour intensity adjustment

- ▶ To increase the value, turn clockwise

3. 4.3" colour LCD screen

4. Call volume adjustment (High / Medium / Low)

5. Buttons

6. Handset

- ▶ Lift the handset to start communication

⚠ Do not press and hold the audio hook while the handset is lifted

7. S1 microswitches for programming the user code (see paragraph "[Addressing table](#)")

8. S2 microswitches for button and function programming (marked with a red corner)

DIP 1-2-3-4 for button function programming

DIP 5-6 access to programming

DIP 7 for power supply voltage management (default ON)

⚠ S2 DIP 7 must always be set to ON, even in systems with 4888C and 4888CU (as in the factory settings)

DIP 8 for setting main and secondary door entry monitor (see paragraph "[Main and secondary door entry monitors](#)")

9. Loudspeaker volume adjustment (for setting intercom audio only)

10. CV5 jumper for video closure

In systems with more than one door entry monitor connected in cascade, only the door entry monitor furthest away must have CV5 closed

11. Pin for securing terminal block

Terminal block for system connection:

LL Bus line connection terminals

CFP1 CFP2 Floor door call input

Legend: buttons and indicator LEDs

- ▶ Press the desired button once to activate the associated function



Wait for approximately 1 sec. before pressing the same button again. Pressing the same button several times in quick succession will cancel the command.

Description of buttons



LOCK-RELEASE

- ▶ Press the key to activate the corresponding door lock

1

ACTUATOR (default*)

- ▶ Press the key to activate the corresponding relay

2

SELF-ACTIVATION (default*)

- ▶ Press the key to access real-time viewing of the camera for the outdoor entrance panel



SILENT MODE (Privacy)

- ▶ Press the key to enable silencing of the ringtone on receipt of a call from the outdoor entrance panel and from the switchboard

3 4 5 6

PROGRAMMABLE BUTTONS

Applies to Art. 6701W/8

Indicator LED description



Flashing LED: incoming call

1 flash after pressing button: confirms door opening

Slow flashing: door open



Flashing LED: device in programming mode

4 flashes: system busy

Steady LED: Silent mode (Privacy) enabled

3 flashes every 5 sec.: Door Opening Upon Call (Doctor) function enabled

(*) Buttons may be programmed as:

- **AUTOMATIC LOCK-RELEASE ON RECEIPT OF CALL (Doctor)**

See paragraph [“Pressing and holding keys \(disabled by default from firmware version 3.0.1 \(3.2.0 for 6701W/8\)”](#)

- **INTERCOM**

Allows a call from one internal unit to one or more internal units

- **CALL TO A MAIN OR SECONDARY SWITCHBOARD**


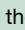
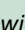
- **PRIORITY CALL TO SWITCHBOARD (“PAN”)**

- **CALL TO CARETAKER DOOR-ENTRY PHONE**

Pressing and holding keys (disabled by default from firmware version 3.0.1 (3.2.0 for 6701W/8))

Pressing and holding keys adds further functions to the door entry monitor.

Carry out the procedure described below to enable - or disable, depending on the factory setting - the press and hold feature:

- ✓ Door entry monitor in standby.
- 1. Take note of the S2 DIP-switch settings.
- 2. Enter programming mode by setting S2 DIP-switches 1, 3, 5 to ON.
 - » the LED  flashes
- 3. Press 1 to enable (or press 2 to disable).
- 4. Make sure the  key flashes 4 times and the confirmation tone is emitted.
- 5. Restore the initial configuration of the S2 DIP-switches.
 - » LED  switches off

Once the procedure is complete, you will be able to enable the following functions:

Automatic lock-release on receipt of call (Doctor mode)

Automatic activation of the Lock-release relay on receipt of a call originating from the external unit.

- ▶ Press and hold (4 sec.) the programmed button to enable/disable the function.

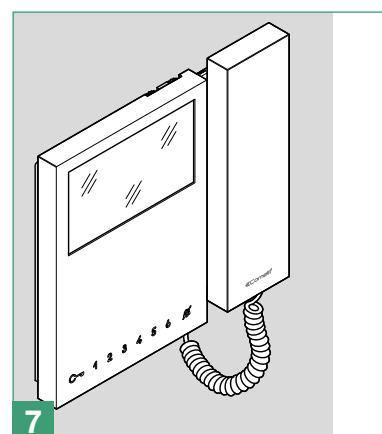
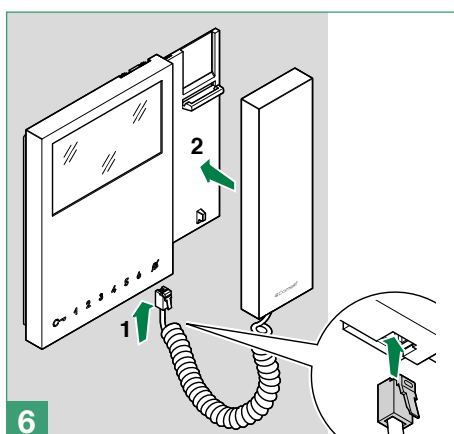
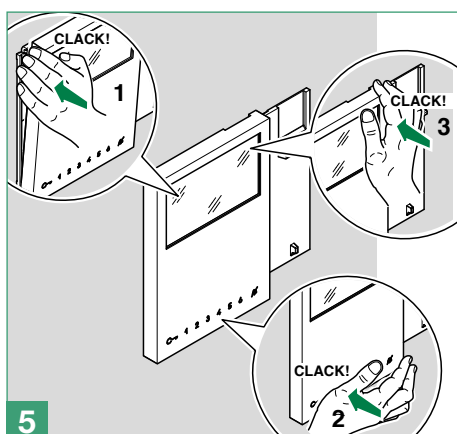
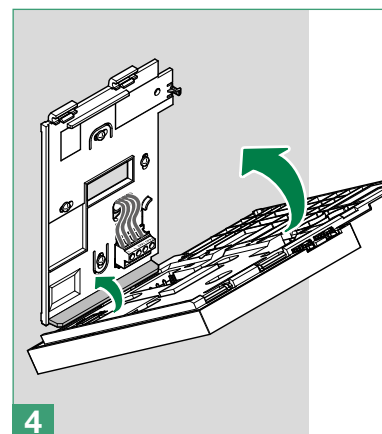
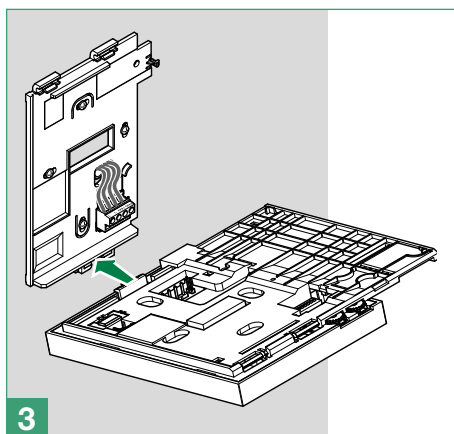
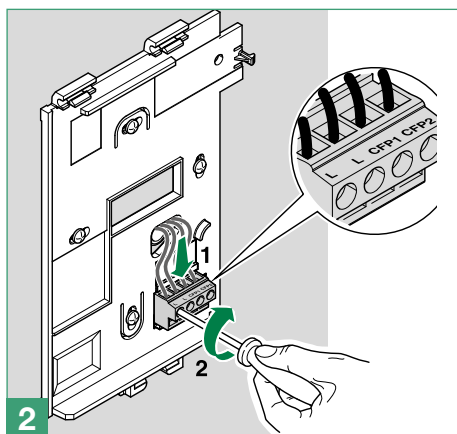
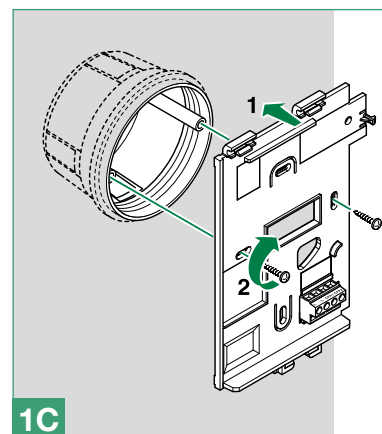
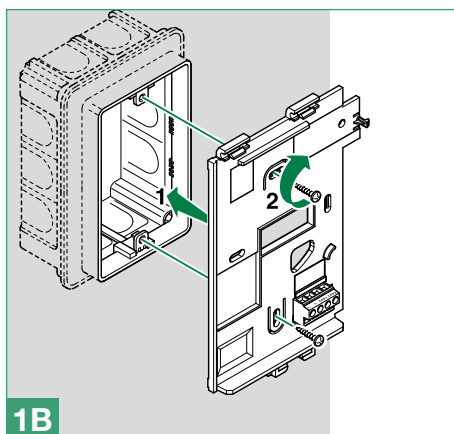
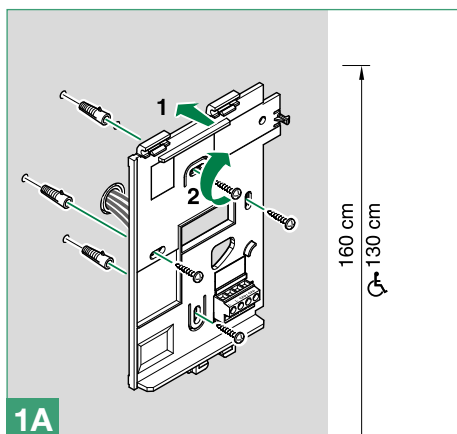
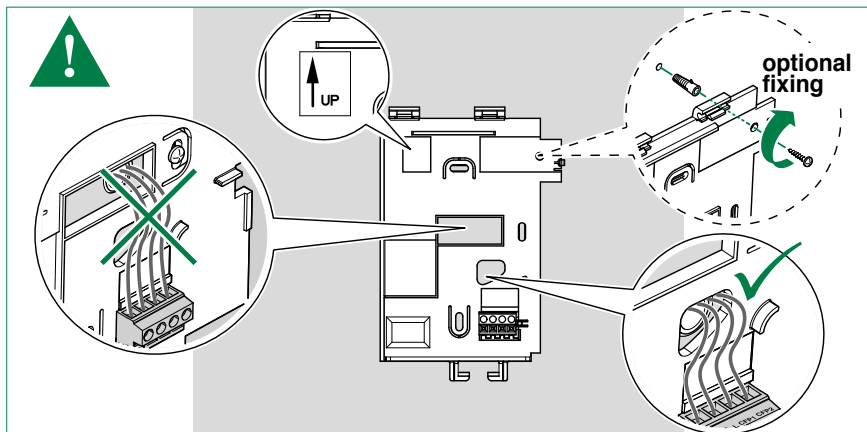
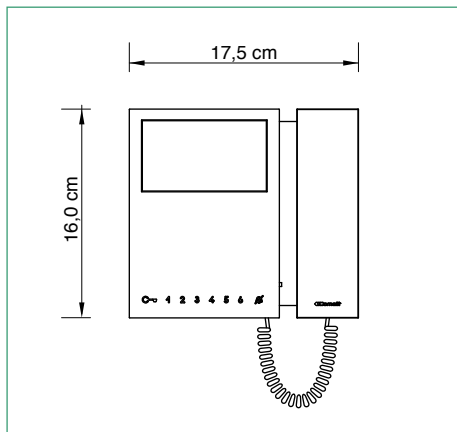
Self Activation

- ▶ Press and hold (4 sec.) the programmed button to disable the function. (Enabled by default).

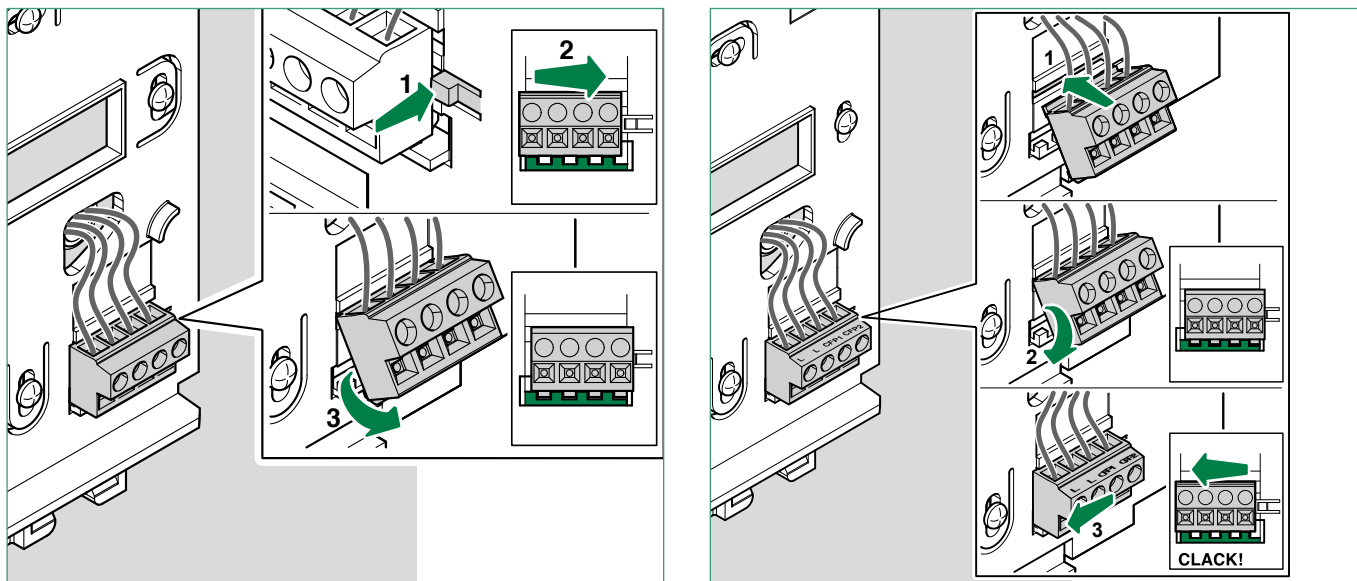
Technical specifications

	6701W	6701W/BM	6701W/8
GENERAL DATA			
Height (mm)	160	160	160
Width (mm)	175	175	175
Depth (mm)	22	22	22
Weight: (g)	600	600	600
Material	ABS	ABS	ABS
Colour	White RAL9003	White RAL9003	White RAL9003
Surface mounting	Yes	Yes	Yes
Desk base mounting	Yes	Yes	Yes
LCD SPECIFICATIONS			
Size (inches)	4.3"	4.3"	4.3"
Aspect ratio	16:9	16:9	16:9
Resolution (H x V)	480x272 pixel	480x272 pixel	480x272 pixel
AUDIO SPECIFICATIONS			
Microphone	6 mm (Ø), Omnidirectional	6 mm (Ø), Omnidirectional	6 mm (Ø), Omnidirectional
Loudspeaker	40 (ø) x 5.1 (H) mm, 100 Ohm, 0.25W	40 (ø) x 5.1 (H) mm, 100 Ohm, 0.25W	40 (ø) x 5.1 (H) mm, 100 Ohm, 0.25W
Magnetic induction function	No	Yes	No
HARDWARE CHARACTERISTICS			
Type of buttons	Capacitive	Capacitive	Capacitive
Service buttons	Lock-release, Silent (Privacy) mode, Door open	Lock-release, Silent (Privacy) mode, Door open	Lock-release, Silent (Privacy) mode, Door open
No. of programmable buttons for additional functions	2	2	6
Removable terminals	Yes	Yes	Yes
SETTINGS			
Ringtone volume	Yes	Yes	Yes
Screen brightness	Yes	Yes	Yes
Screen colour	Yes	Yes	Yes
MAIN FUNCTIONS			
Lock-release	Yes	Yes	Yes
Actuator control	Yes (Default key 1)	Yes (Default key 1)	Yes (Default key 1)
Self Activation control	Yes (Default key 2)	Yes (Default key 2)	Yes (Default key 2)
Switchboard call	Yes	Yes	Yes (Default key 3)
Alarm call transmission	Yes	Yes	Yes (Default key 5)
Intercom call	Yes	Yes	Yes
Multiple address call	Yes	Yes	Yes
Silent mode (Privacy)	Yes	Yes	Yes
Door opening upon call (Doctor)	Yes	Yes	Yes (Default key 4)
Door open indication	Yes	Yes	Yes
Floor door call	Yes	Yes	Yes
Customisable ringtone	Yes	Yes	Yes
ELECTRICAL SPECIFICATIONS			
Type of power supply	Power supply via door entry monitor BUS		
Power supply voltage	22-34 VDC (BUS)	22-34 VDC (BUS)	22-34 VDC (BUS)
Maximum absorption (W)	5.40	5.40	5.40
ENVIRONMENTAL AND CONFORMITY SPECIFICATIONS			
IP rating	30	30	30
Operating temperature (°C)	5 to 40	5 to 40	5 to 40
Operating relative humidity (%)	25-75%	25-75%	25-75%
Environmental class	I	I	I
Conformity and Certifications	RoHS II - 2011/65/EU (EN 50581:2012), EMC 2014/30/EU (EN 61000-6-1:2007, EN 61000-6-3:2007+A1:2011)		

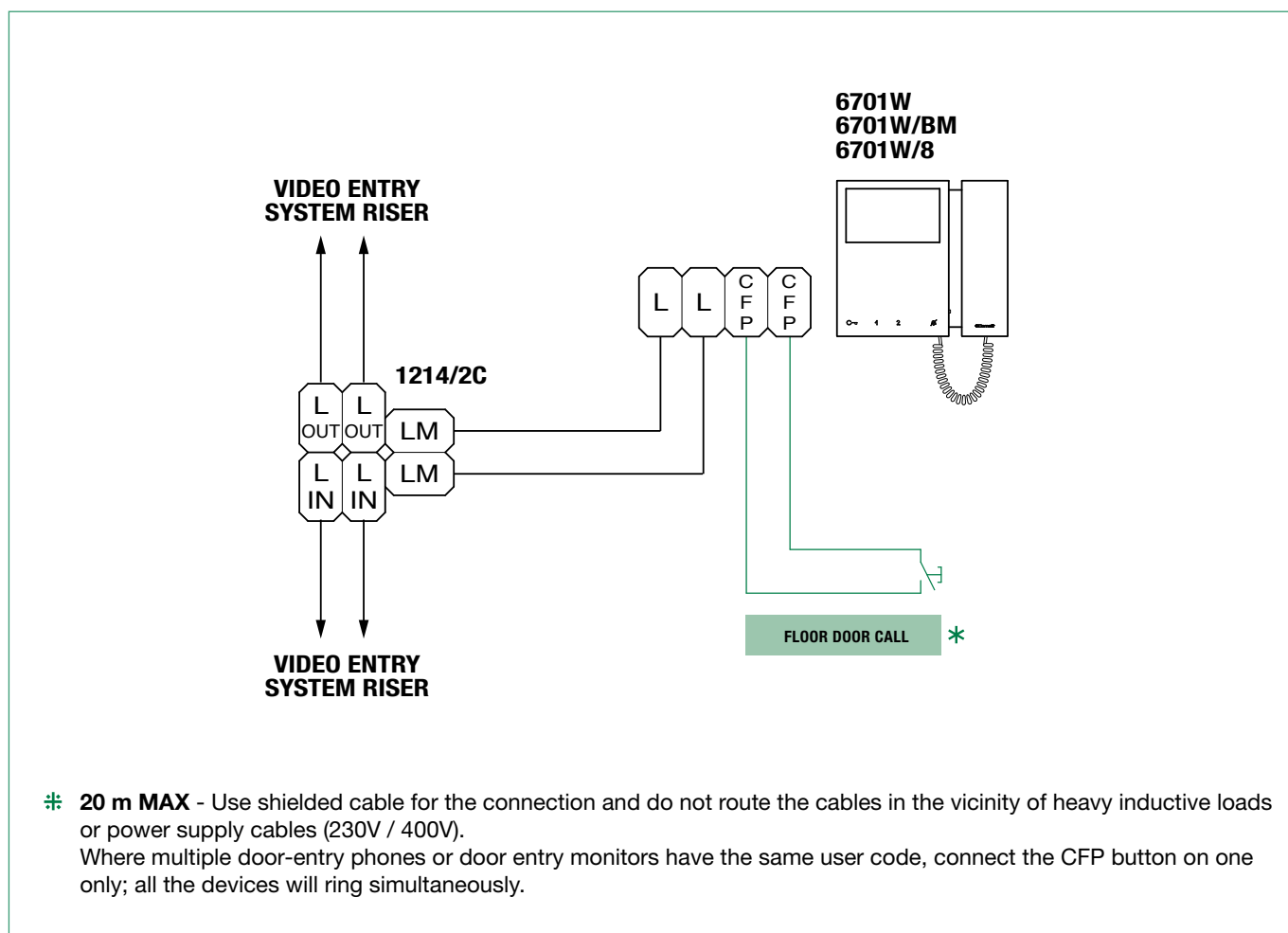
Installation



Removing/Fitting the Terminal



Connections



⚡ **20 m MAX** - Use shielded cable for the connection and do not route the cables in the vicinity of heavy inductive loads or power supply cables (230V / 400V).
Where multiple door-entry phones or door entry monitors have the same user code, connect the CFP button on one only; all the devices will ring simultaneously.

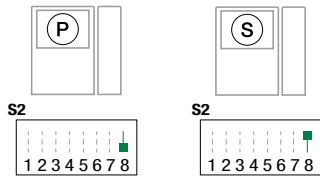
Settings

Main and secondary door entry monitors

In systems with power supply unit 1209, 1210 or 1210A, you can configure a maximum of 1 main door entry monitor, while in systems with power supply unit 4888C you can configure up to 2 main door entry monitors.

To configure the door entry monitor as **main**, set **S2di DIP 8 to OFF**

To configure the door entry monitor as **secondary**, set **S2 DIP 8 to ON**



Button configuration

By default the buttons control the functions in **A** (“Standard configuration” table).

It is possible to change the default configuration of the buttons by changing the positions of S2 DIP-switches 1-2-3-4 on the rear of the door entry monitor to one of the combinations (B-P) suggested in the table. All the buttons will change function.

Basic configuration

					Mini 6701W/8								
S2 Dip-switches					Mini 6701W - Mini 6701W/BM								
					C	1	2	3	4	5	6		
default	A	OFF	OFF	OFF	OFF	▶	AP	ACT	AI	CCS	D	PAN	K
	B	ON	OFF	OFF	OFF		AP	CCS	AI	INT	INTb	D	ACT
	C	OFF	ON	OFF	OFF		AP	INT	AI	INTb	ACT	CCS	CCP
	D	ON	ON	OFF	OFF		AP	ACT	CCS	CCP	PAN	K	D
	E	OFF	OFF	ON	OFF		ACT	ACT	ACT	ACT	ACT	ACT	ACT
	F	ON	OFF	ON	OFF		AP	INT	ACT	CCS	CCP	INTb	PAN
	G	OFF	ON	ON	OFF		AP	AI	D	K	CCS	CCP	INTb
	H	ON	ON	ON	OFF		AP	INTb	INT	AI	INT	PAN	D
	I	OFF	OFF	OFF	ON		AP	CCS	PAN	D	AI	INTb	INTb
	J	ON	OFF	OFF	ON		AP	K	CCS	PAN	CCP	AI	INT
	K	OFF	ON	OFF	ON		AP	CCP	K	PAN	ACT	INT	AI
	L	ON	ON	OFF	ON		AP	PAN	CCP	CCS	K	ACT	D
	M	OFF	OFF	ON	ON		AP	INTb	AI	INT	ACT	D	CCS
	N	ON	OFF	ON	ON		AP	INT	INT	INT	INT	INT	INT
	P	OFF	ON	ON	ON		NULL	NULL	NULL	NULL	NULL	NULL	NULL
		ON	ON	ON	ON		PROG						

Legend

AP	Lock-release	
ACT	Actuator	
AI **	Self Activation	
CCP *	Call to main switchboard	
CCS *	Call to secondary switchboard	
K	Caretaker door-entry phone call	<i>Press and release key</i>
PAN *	Priority call to switchboard	
INT	Intercom call (general programmable or to selective address). Single-family call default for Kit and Simplebus2	
INTb	Two-family intercom call - <i>For Kit only</i>	
NULL	No function	
D **	Automatic door opening on receipt of call (Doctor mode)	<i>Press and hold key</i>
PROG	With these S2 DIP-switch settings, the buttons control the programmed functions as in “Advanced configuration”	

* Cannot be used in Kit systems

** Pressing and holding enables / disables the function, see [“Pressing and holding keys \(disabled by default from firmware version 3.0.1 \(3.2.0 for 6701W/8\)”](#)

Advanced configuration

If the standard configuration settings (A-P) do not reflect requirements, the buttons can be programmed differently by carrying out the steps below.

After programming, set S2 DIP-switches 1-2-3-4 (PROG) to ON. With these DIP-switch settings, the buttons manage the programmed functions.

The buttons that are NOT programmed control the functions in row A (table [“Basic configuration”](#)).

Intercom call


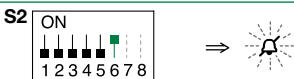


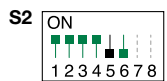
Introduction

By "General intercom call" we mean a call from a door-entry phone/door entry monitor to the devices (in the same apartment or another apartment) identified by the call address for the apartment (user code).


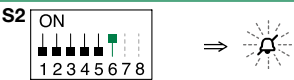



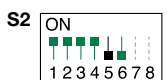
By "Intercom call to selective address" we mean a call from a door-entry phone/door entry monitor to a device (or several) identified by a specific (selective) address which is different from the call address for the apartment (user code).

⚠ General and selective intercom calls CANNOT be used together on the same riser!

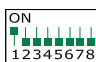
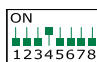
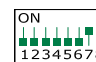
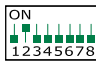
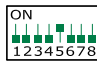
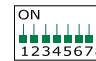
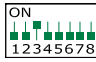

General intercom call: button programming

1. Take note of the S1 DIP-switch settings.	
2. To enter programming mode, set S2 DIP-switch 6 to ON. » the LED  flashes	
3. Refer to the table “Basic configuration” to identify a DIP-switch combination in which the intercom function (INT or INTb) corresponding to the button you want to program appears, then set the S2 DIP-switches . Example: For button 1= Intercom (INT) set S2 DIP-switches 1-2-3-4 as specified in row "C" in the table “Basic configuration”	
4. Set the S1 DIP-switches according to the call address of the desired apartment. See “Addressing table”	
5. Press and release the button to be associated with the function. » <i>Correct procedure indication:</i> the LED  flashes for a few seconds and a confirmation tone sounds. ✓ When programming using several buttons, continue programming the next key by repeating the process from step 4 onwards.	
6. Exit programming mode by setting S2 DIP 6 to OFF. » LED  switches off	
7. Set S2 DIP-switches 1-2-3-4 to ON.	
8. Return S1 DIP to the original combination.	

Intercom call to selective address: button programming

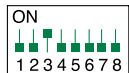

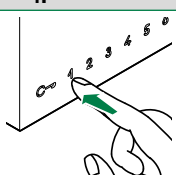


1. The steps illustrated in paragraph “Assigning a selective address” should be carried out on the devices involved in the intercom call.	
2. Take note of the S1 DIP-switch settings.	
3. Exit programming mode by setting S2 DIP 6 to OFF. » the LED  flashes	
4. Refer to the table “Basic configuration” to identify a DIP-switch combination in which the intercom function (INT or INTb) corresponding to the button you want to program appears, then set the S2 DIP-switches.	
5. Use the S1 DIP-switches to set the selective address of the device you wish to call. “TABLE B” .  For group calls, simultaneously set the desired selective addresses (max. 3) to ON.	
6. Press and release the button to be associated with the function. » <i>Correct procedure indication:</i> the LED  flashes for a few seconds and a confirmation tone sounds. ✓ When programming using several buttons, continue programming the next key by repeating the process from step 5 onwards.	
7. Exit programming mode by setting S2 DIP-switch 6 to OFF. » LED  switches off	
8. Set S2 DIP 1-2-3-4 to ON.	
9. Return S1 DIP to the original combination.	

Selective intercom address

TABLE B					
Code	S1 DIP-switch ON	Code	S1 DIP-switch ON	Code	S1 DIP-switch ON
1	1 	4	4 	7	7 
2	2 	5	5 	8	8 
3	3 	6	6 		

Assigning selective address

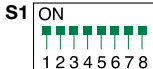
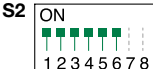



(Steps only need to be carried out for "Intercom call to selective address" programming)

1.	2.	3.	4.
Take note of the S1, S2 settings and restore them when programming is complete.	S1: Set an address. ("TABLE B") Example: 3 	S2: Set the DIP-switches as shown in the figure. 	
			<div style="display: flex; justify-content: space-between;"> <div style="text-align: center;"> <p>✓ OK prog:  x4</p> </div> <div style="text-align: center;"> <p>✗ KO prog:  x10</p> </div> </div>

Assign one of the 8 addresses available in "TABLE B" to each device involved in the intercom call.


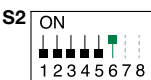
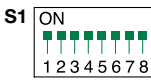
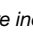

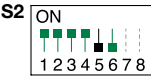
- You can assign the **same** selective intercom address to a maximum of 3 devices.

Deleting the selective address of the door entry monitor


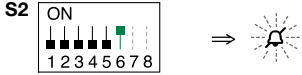


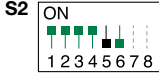
1.	2.	3.
Take note of the S1, S2 settings and restore them when programming is complete.	Set the DIP-switches as shown in the figure.  	
		<div style="display: flex; justify-content: space-between;"> <div style="text-align: center;"> <p>✓ OK prog:  x4</p> </div> <div style="text-align: center;"> <p>✗ KO prog:  x10</p> </div> </div>

Generic actuator, coded actuator


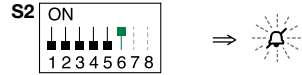
Generic **actuator**: button programming



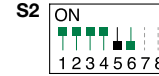
1. Take note of the S1 DIP-switch settings.	
2. Exit programming mode by setting S2 DIP 6 to OFF. » the LED  flashes	
3. Refer to the table "Basic configuration" to identify a DIP-switch combination in which the actuator function (ACT) corresponding to the button you want to program appears, then set the S2 DIP-switches.	
4. Set all S1 DIP-switches to ON.	
5. Press and release the button to be associated with the function. » Correct procedure indication: the LED  flashes for a few seconds and a confirmation tone sounds.	
6. Exit programming mode by setting S2 DIP-switch 6 to OFF. » LED  switches off	
7. Set S2 DIP-switches 1-2-3-4 to ON.	
8. Return S1 DIP-switches to the original combination.	

Coded actuator: button programming

1. Take note of the S1 DIP-switch settings.
2. Exit programming mode by setting S2 DIP 6 to OFF.
 - » the LED  flashes
3. Refer to the table **“Basic configuration”** to identify a DIP-switch combination in which the actuator function (ACT) corresponding to the button you want to program appears, then set the S2 DIP-switches.
4. Set the S1 DIP-switches with the desired code, according to **“Addressing table”**
5. Press and release the button to be associated with the function.
 - » *Correct procedure indication:* the LED  flashes for a few seconds and a confirmation tone sounds
6. Exit programming mode by setting S2 DIP-switch 6 to OFF.
 - » LED  switches off
7. Set S2 DIP-switches 1-2-3-4 to ON.
8. Return S1 DIP-switches to the original combination.

Other functions: button programming

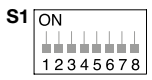

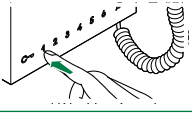
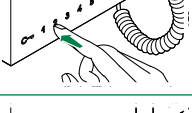
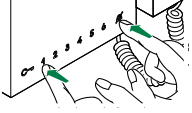
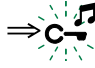
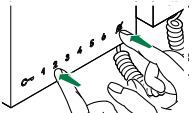
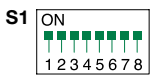
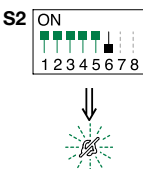
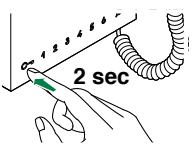

1. Exit programming mode by setting S2 DIP 6 to OFF.
 - » the LED  flashes
2. Refer to the table **“Basic configuration”** to identify a DIP-switch combination in which the desired functions corresponding to the buttons you want to program appear, then set the S2 DIP-switches.

Example: For button 1= Call to secondary switchboard (CCS) and button 2= Self Activation (AI), set S2 DIP-switches 1-2-3-4 as specified in row “C” in the table **“Basic configuration”**.
3. Press and release the buttons involved in the change.
 - » *Correct procedure indication:* the LED  flashes for a few seconds and a confirmation tone sounds.
4. Exit programming mode by setting S2 DIP 6 to OFF.
 - » LED  switches off
5. Set S2 DIP-switches 1-2-3-4 to ON.

Programming range



Take note of the S2, S1 settings and restore on completion of programming

	1.	2.	3.	4.
Range minimum address				
Range maximum address	“Addressing table”			
Enable range				
Disable range				
Deleting the range				

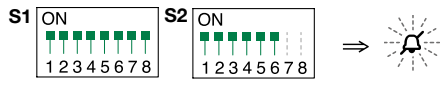
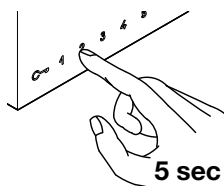
Changing the ringtone

1. Press and hold for 6 sec.
 - » a confirmation tone is emitted
 - » the LED flashes
- ✓ the procedure can only take place while the system is in standby; otherwise the LED will flash 4 times to inform the user that the system is busy
2. Press and release the button
 - once** (1 confirmation tone sounds) to change the ringtone for calls from the external entrance panel.
 - twice** (2 confirmation tones sound) to change the ringtone for calls from the switchboard.
 - 3 times** (3 confirmation tones are emitted) to change the ringtone for intercom calls made from the door entry monitor.
 - 4 times** (4 confirmation tones sound) to change the floor door call ringtone.
- Any further pressing of the button repeats the sequence described above.
3. Press and release **1** to scroll through the available ringtones in sequence.
4. Press **2** to confirm selection of the last ringtone heard and to exit change ringtone mode.
 - » a confirmation tone is emitted
 - » LED switches off
5. Repeat steps 1 to 4 to change the other ringtones.

Programming reset

Factory settings:

- Button functions for the S2 DIP 1-2-3-4 combination
- Intercom address absent
- Range function and min./max. addresses absent
- Ringtone reset
- “Automatic door opening on receipt of call” and “Silent” mode disabled

1.	2.	3.	
Take note of the S1, S2 settings and restore them when programming is complete.	Set the DIP-switches as shown in the figure. 	 5 sec	<div style="border: 1px solid black; padding: 5px;"> <p style="color: green;">✓ OK prog: x4</p> <p style="color: red;">✗ KO prog: x10</p> </div>

Addressing table

Code	DIP-switch ON														
1	1	31	1,2,3,4,5	61	1,3,4,5,6	91	1,2,4,5,7	121	1,4,5,6,7	151	1,2,3,5,8	181	1,3,5,6,8	211	1,2,5,7,8
2	2	32	6	62	2,3,4,5,6	92	3,4,5,7	122	2,4,5,6,7	152	4,5,8	182	2,3,5,6,8	212	3,5,7,8
3	1.2	33	1.6	63	1,2,3,4,5,6	93	1,3,4,5,7	123	1,2,4,5,6,7	153	1,4,5,8	183	1,2,3,5,6,8	213	1,3,5,7,8
4	3	34	2.6	64	7	94	2,3,4,5,7	124	3,4,5,6,7	154	2,4,5,8	184	4,5,6,8	214	2,3,5,7,8
5	1.3	35	1,2,6	65	1.7	95	1,2,3,4,5,7	125	1,3,4,5,6,7	155	1,2,4,5,8	185	1,4,5,6,8	215	1,2,3,5,7,8
6	2.3	36	3.6	66	2.7	96	6.7	126	2,3,4,5,6,7	156	3,4,5,8	186	2,4,5,6,8	216	4,5,7,8
7	1,2,3	37	1,3,6	67	1,2,7	97	1,6,7	127	1,2,3,4,5,6,7	157	1,3,4,5,8	187	1,2,4,5,6,8	217	1,4,5,7,8
8	4	38	2,3,6	68	3.7	98	2,6,7	128	8	158	2,3,4,5,8	188	3,4,5,6,8	218	2,4,5,7,8
9	1.4	39	1,2,3,6	69	1,3,7	99	1,2,6,7	129	1.8	159	1,2,3,4,5,8	189	1,3,4,5,6,8	219	1,2,4,5,7,8
10	2.4	40	4.6	70	2,3,7	100	3,6,7	130	2.8	160	6.8	190	2,3,4,5,6,8	220	3,4,5,7,8
11	1,2,4	41	1,4,6	71	1,2,3,7	101	1,3,6,7	131	1,2,8	161	1,6,8	191	1,2,3,4,5,6,8	221	1,3,4,5,7,8
12	3.4	42	2,4,6	72	4.7	102	2,3,6,7	132	3.8	162	2,6,8	192	7.8	222	2,3,4,5,7,8
13	1,3,4	43	1,2,4,6	73	1,4,7	103	1,2,3,6,7	133	1,3,8	163	1,2,6,8	193	1,7,8	223	1,2,3,4,5,7,8
14	2,3,4	44	3,4,6	74	2,4,7	104	4,6,7	134	2,3,8	164	3,6,8	194	2,7,8	224	6,7,8
15	1,2,3,4	45	1,3,4,6	75	1,2,4,7	105	1,4,6,7	135	1,2,3,8	165	1,3,6,8	195	1,2,7,8	225	1,6,7,8
16	5	46	2,3,4,6	76	3,4,7	106	2,4,6,7	136	4.8	166	2,3,6,8	196	3,7,8	226	2,6,7,8
17	1.5	47	1,2,3,4,6	77	1,3,4,7	107	1,2,4,6,7	137	1,4,8	167	1,2,3,6,8	197	1,3,7,8	227	1,2,6,7,8
18	2.5	48	5.6	78	2,3,4,7	108	3,4,6,7	138	2,4,8	168	4,6,8	198	2,3,7,8	228	3,6,7,8
19	1,2,5	49	1,5,6	79	1,2,3,4,7	109	1,3,4,6,7	139	1,2,4,8	169	1,4,6,8	199	1,2,3,7,8	229	1,3,6,7,8
20	3.5	50	2,5,6	80	5.7	110	2,3,4,6,7	140	3,4,8	170	2,4,6,8	200	4,7,8	230	2,3,6,7,8
21	1,3,5	51	1,2,5,6	81	1,5,7	111	1,2,3,4,6,7	141	1,3,4,8	171	1,2,4,6,8	201	1,4,7,8	231	1,2,3,6,7,8
22	2,3,5	52	3,5,6	82	2,5,7	112	5.6,7	142	2,3,4,8	172	3,4,6,8	202	2,4,7,8	232	4,6,7,8
23	1,2,3,5	53	1,3,5,6	83	1,2,5,7	113	1,5,6,7	143	1,2,3,4,8	173	1,3,4,6,8	203	1,2,4,7,8	233	1,4,6,7,8
24	4.5	54	2,3,5,6	84	3,5,7	114	2,5,6,7	144	5.8	174	2,3,4,6,8	204	3,4,7,8	234	2,4,6,7,8
25	1,4,5	55	1,2,3,5,6	85	1,3,5,7	115	1,2,5,6,7	145	1,5,8	175	1,2,3,4,6,8	205	1,3,4,7,8	235	1,2,4,6,7,8
26	2,4,5	56	4,5,6	86	2,3,5,7	116	3,5,6,7	146	2,5,8	176	5,6,8	206	2,3,4,7,8	236	3,4,6,7,8
27	1,2,4,5	57	1,4,5,6	87	1,2,3,5,7	117	1,3,5,6,7	147	1,2,5,8	177	1,5,6,8	207	1,2,3,4,7,8	237	1,3,4,6,7,8
28	3,4,5	58	2,4,5,6	88	4,5,7	118	2,3,5,6,7	148	3,5,8	178	2,5,6,8	208	5,7,8	238	2,3,4,6,7,8
29	1,3,4,5	59	1,2,4,5,6	89	1,4,5,7	119	1,2,3,5,6,7	149	1,3,5,8	179	1,2,5,6,8	209	1,5,7,8	239	1,2,3,4,6,7,8
30	2,3,4,5	60	3,4,5,6	90	2,4,5,7	120	4,5,6,7	150	2,3,5,8	180	3,5,6,8	210	2,5,7,8	*240	5,6,7,8

* NOTE: Code 240 is reserved for the porter switchboard

System performance and layouts

For further information of system performance and to view installation layouts, click on the system type that best meets your requirements:

- [Simplebus2 audio/video with 1210/1210A](#)
- [Simplebus2 audio/video with 4888C](#)
- [Audio/Video kit](#)

CERTIFIED MANAGEMENT SYSTEMS



www.comelitgroup.com

Via Don Arrigoni, 5 - 24020 Rovetta (BG) - Italy

The Comelit logo, consisting of a green diamond-shaped icon followed by the word 'Comelit' and a registered trademark symbol.

Comelit®
Passion. Technology. Design.