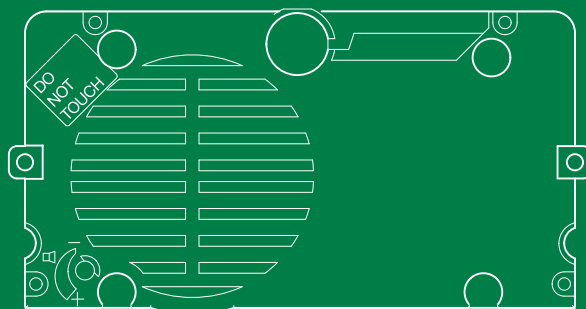


EN

TECHNICAL  
MANUAL



Audio module for SB1 system  
Art. 1622

 **Comelit**<sup>®</sup>  
Passion. Technology. Design.

# Warning

## Intended use

This Comelit product was designed for use in the creation of audio and video communication systems in residential, commercial or industrial settings and in public buildings or buildings used by the public.

## Installation

All activities connected to the installation of Comelit products must be carried out by qualified technical personnel, with careful observation of the indications provided in the Manuals / Instruction sheets supplied with those products.

## Wires

Cut off the power supply before carrying out any maintenance procedures.

Use wires with a cross-section suited to the distances involved, observing the instructions provided in the system manual.

We advise against running the system wires through the same duct as the power cables (230V or higher).

## Safe usage

To ensure Comelit products are used safely:

- carefully observe the indications provided in the Manuals / Instruction sheets
- make sure the system created using Comelit products has not been tampered with / damaged.

## Maintenance

Comelit products do not require maintenance aside from routine cleaning, which should be carried out in accordance with the indications provided in the Manuals / Instruction sheets.

Any repair work must be carried out

- for the products themselves, exclusively by **Comelit Group S.p.A.**,
- for systems, by qualified technical personnel.

## Disclaimer

**Comelit Group S.p.A.** does not assume any responsibility for

- any usage other than the intended use
- non-observance of the indications and warnings contained in this Manual / Instruction sheet.

**Comelit Group S.p.A.** nonetheless reserves the right to change the information provided in this Manual / Instruction sheet at any time and without prior notice.


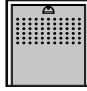
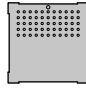
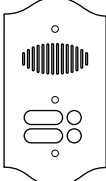

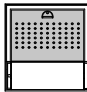

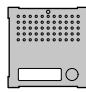
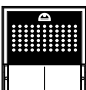
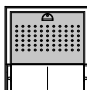
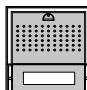
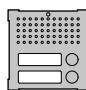
# Table of contents

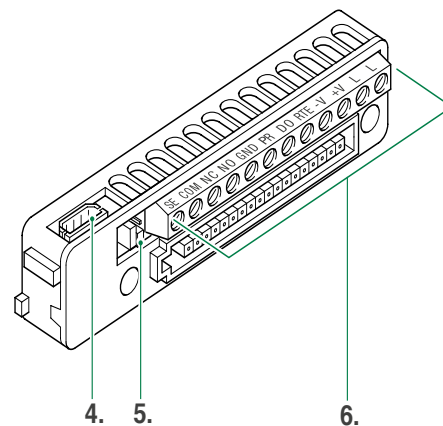
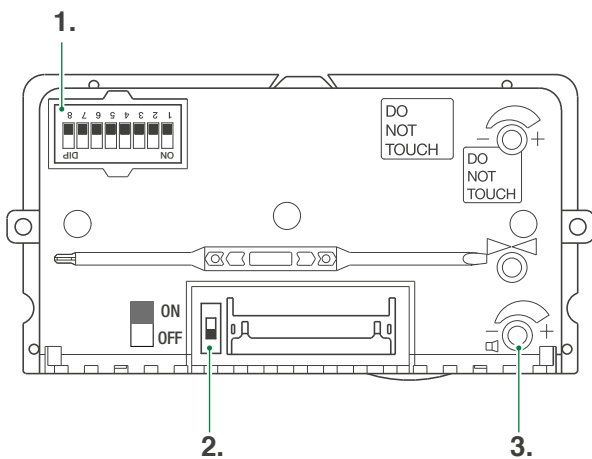
<b>Warning</b> .....	<b>2</b>
<b>Description</b> .....	<b>3</b>
Art. 1622 - Compatibility table.....	3
<b>Technical characteristics</b> .....	<b>4</b>
<b>External unit installation</b> .....	<b>5</b>
<b>Connections</b> .....	<b>6</b>
<b>Variants</b> .....	<b>6</b>
<b>Module connection</b> .....	<b>7</b>
<b>Ikall / Ikall Metal modules</b> .....	<b>7</b>
Connection of button modules 33433, 33434, 33436, 33433M, 33434M, 33436M.....	7
Connection Art. 3348B, 3348BM.....	7
Connection Art. 3360B, 3360BM.....	7
<b>Vandalcom modules</b> .....	<b>8</b>
Connection Art. 3064S .....	8
Connection Art. 3188SB.....	8
Connection Art. 3070S, 3072S .....	9
<b>Modules for Single-plate external unit</b> .....	<b>9</b>
Connection Art. 3063D .....	9
<b>Button programming</b> .....	<b>10</b>
<b>Special programmes</b> .....	<b>11</b>
<b>Installation information</b> .....	<b>13</b>
<b>System performance and layouts</b> .....	<b>13</b>

# Description

Art. 1622 is an audio module which is compatible with Comelit "SB1" entry phone systems, exclusively for use in conjunction with power supply unit Art. 1595.

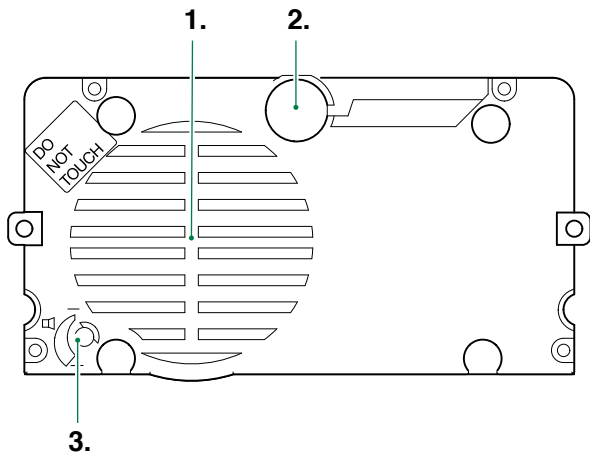
It can be installed in Icall, Icall Metal, Vandalcom and Roma series external units and can be finished with additional modules to meet all system requirements.

Art. 1622 - Compatibility table				
Icall		Icall Metal	Vandalcom	Roma
 33400		 33400M	 3262S/0	 30xx/RI
 33401	 33401A	 33401M	 3262S/1	
 33402	 33402A	 33402M	 3262S/2	



1. DIP switches for function programming and setting the user code.
2. Switch for input/output programming.
3. Loudspeaker volume control.
4. Connector for additional module connection.
5. Jumper for managing the RC network for door lock filter on relay contacts. (vedi [variants](#)).

6. Terminal block for connection:
  - SE** connection for electric door lock
  - COM** common relay contact
  - NC** relay normally closed contact
  - NO** relay normally open contact
  - GND** input reference negative for DO-RTE
  - PR** programming input
  - DO** door open indication input
  - RTE** local request to exit input
  - V-** power supply negative
  - V+** power supply positive
  - LL** bus line connection



- 1. Loudspeaker.
- 2. Microphone.
- 3. Loudspeaker volume control.

## Technical characteristics

Art. 1622

### MAIN FEATURES

Audio system	Yes
Audio/video system	Yes
Clamps	L L V+V- RTE DO PR GND SE COM NC NO
Microphone volume control	Yes
Loudspeaker volume control	Yes
Operating temperature (°C)	-25 ÷ 55

### FUNCTIONS

Key button function	Yes
---------------------	-----

### SETTINGS

Loudspeaker volume control	Yes
Microphone volume control	Yes

### GENERAL DATA

Product height (mm)	55
Product width (mm)	102
Product depth (mm)	38

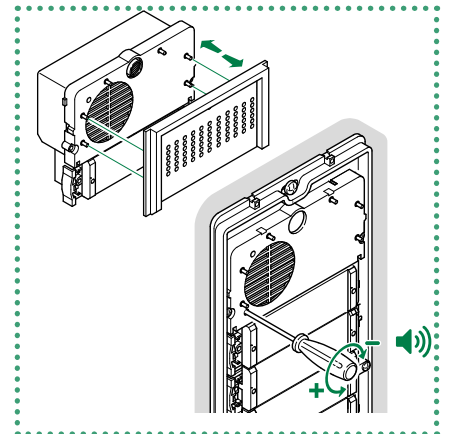
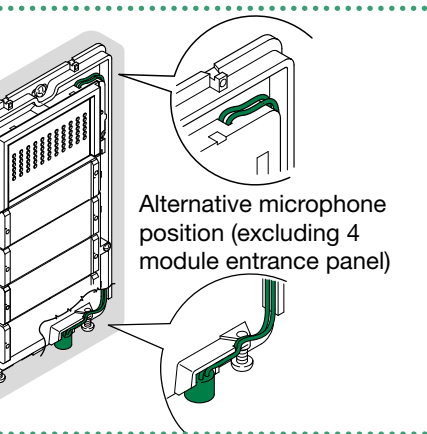
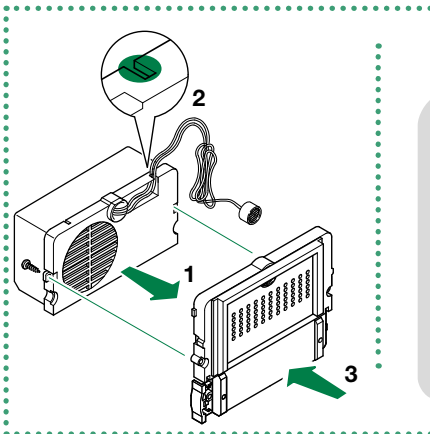
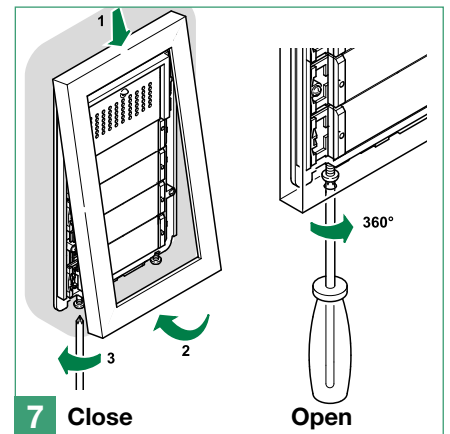
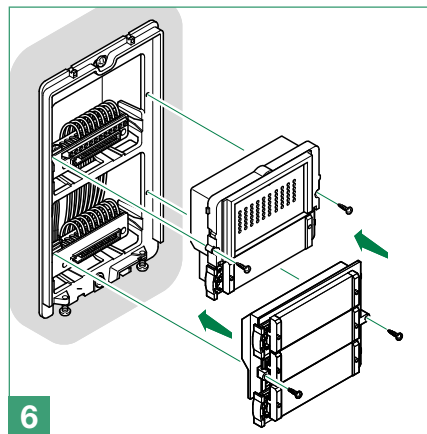
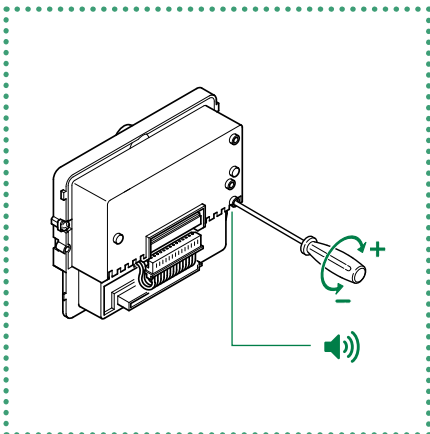
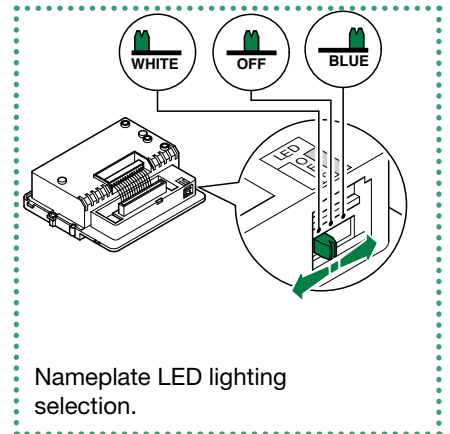
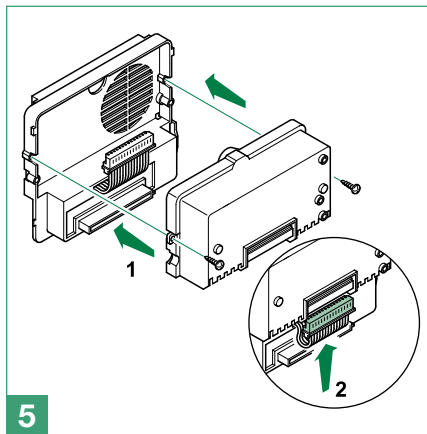
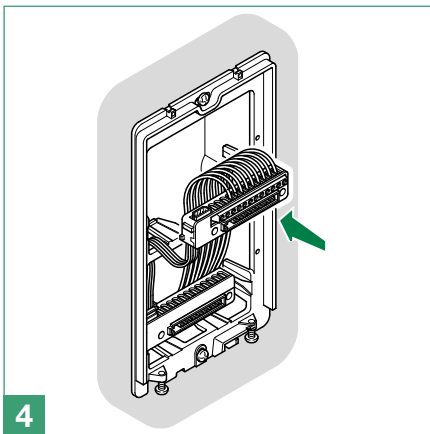
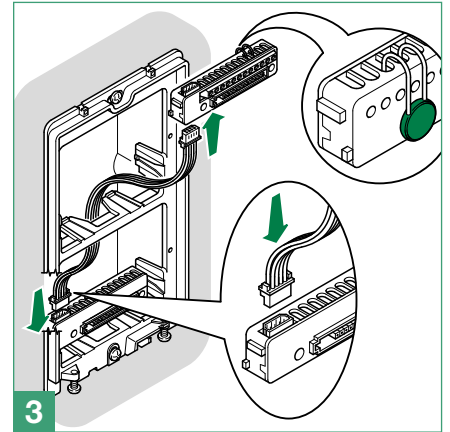
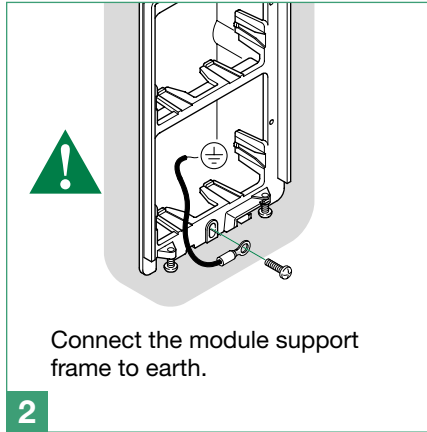
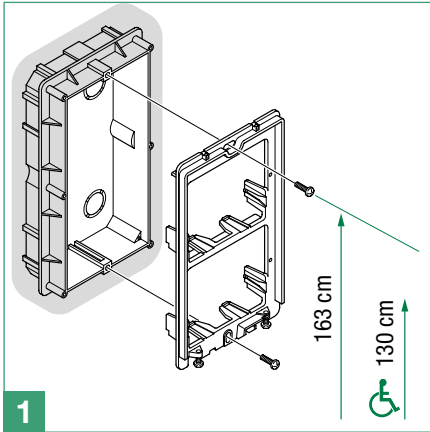
### COMPATIBILITY

Simplebus 1 audio system	Yes
--------------------------	-----

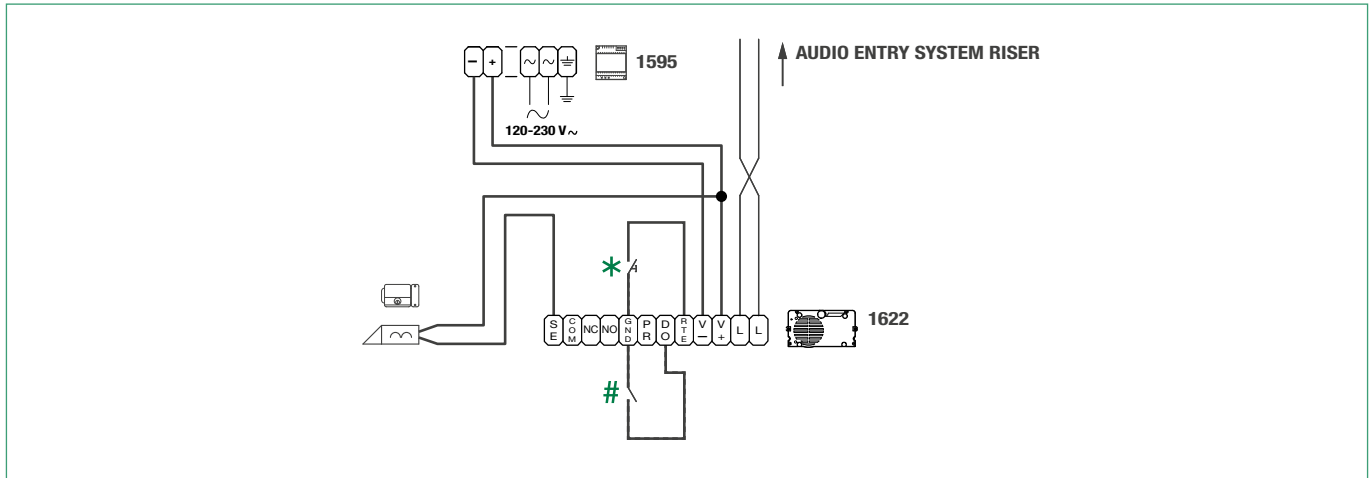
### ELECTRICAL SPECIFICATIONS

Door release (dry contact bridge)	Yes
Door release (direct current output)	Yes

# External unit installation



# Connections

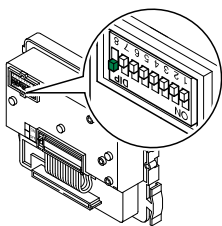
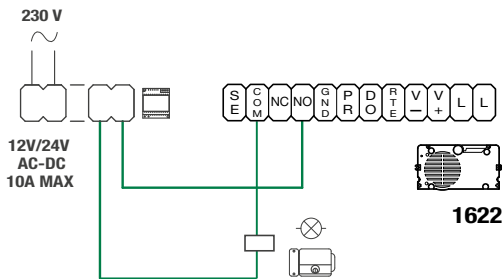


\* 20m max. Local lock-release button.

# Active input closed for DOOR OPEN signal.

## Variants

### Variant for using the external unit relay

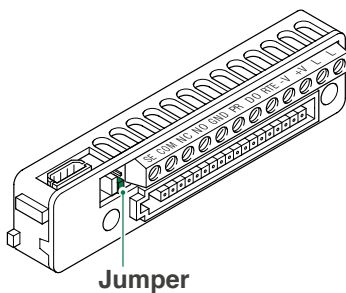
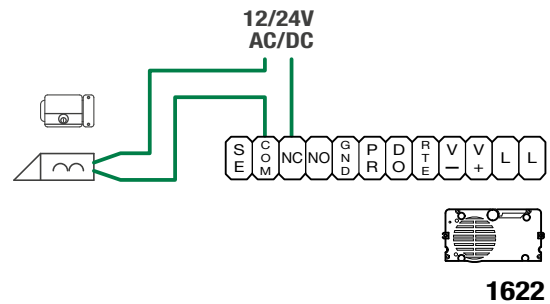


**“C.NC.NO relay activation on actuator command: 2 sec”**

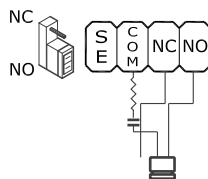
Set dip switches in permanent mode as shown in figure (Dip switch 8 ON, Dip switches 1,2,3,4,5,6,7 OFF)

**Applies to Art. 1622 with R.I. 038 or greater**

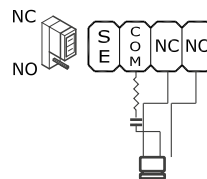
### Variant for using a safety lock



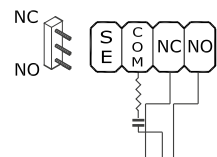
Jumper



On C. NO. contacts.



On C. NC contacts

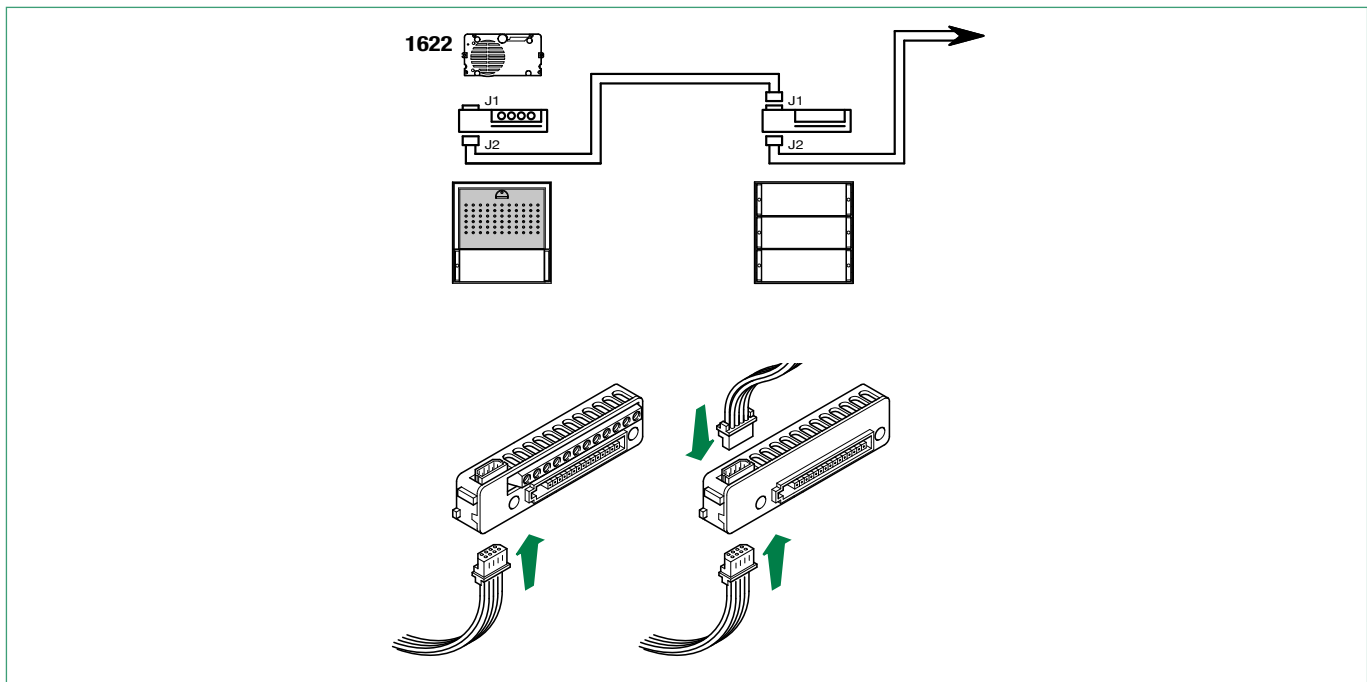


Excluded: voltage-free contact

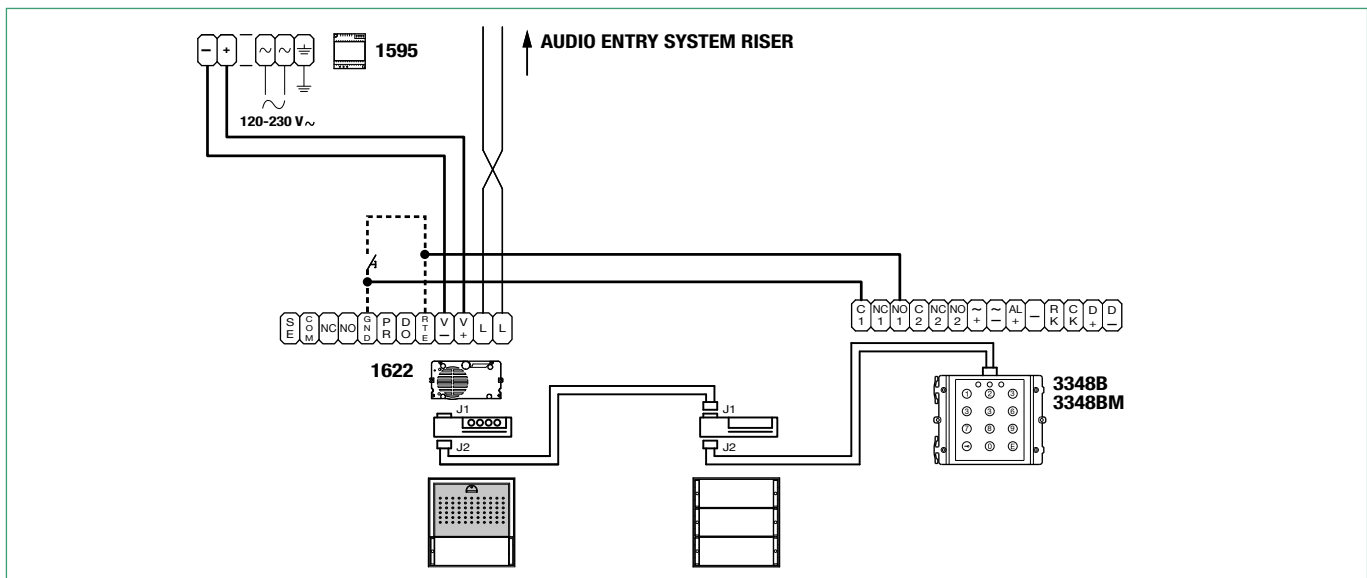
# Module connection

## Icall / Icall Metal modules

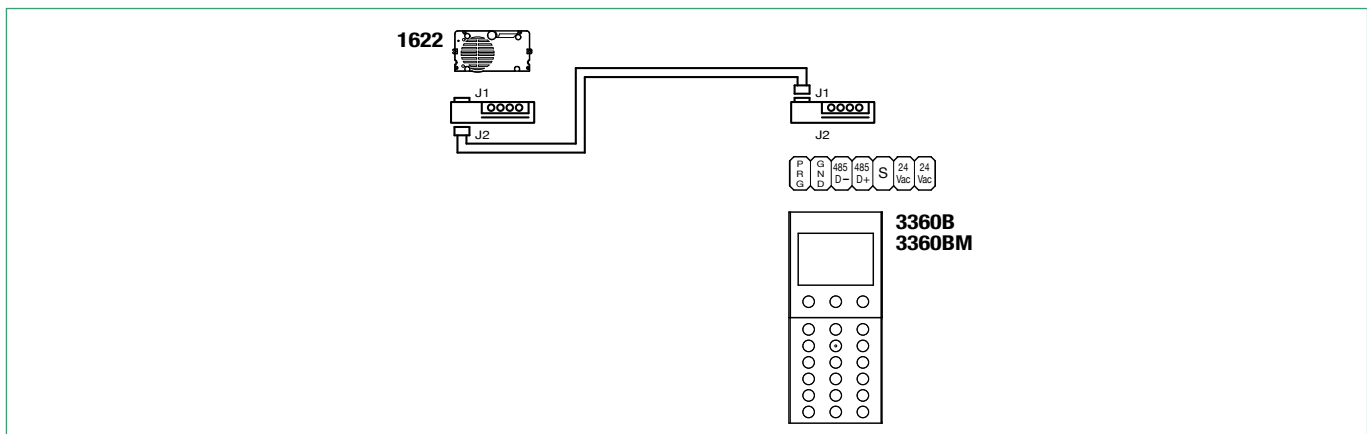
### Connection of button modules 33433, 33434, 33436, 33433M, 33434M, 33436M



### Connection Art. 3348B, 3348BM

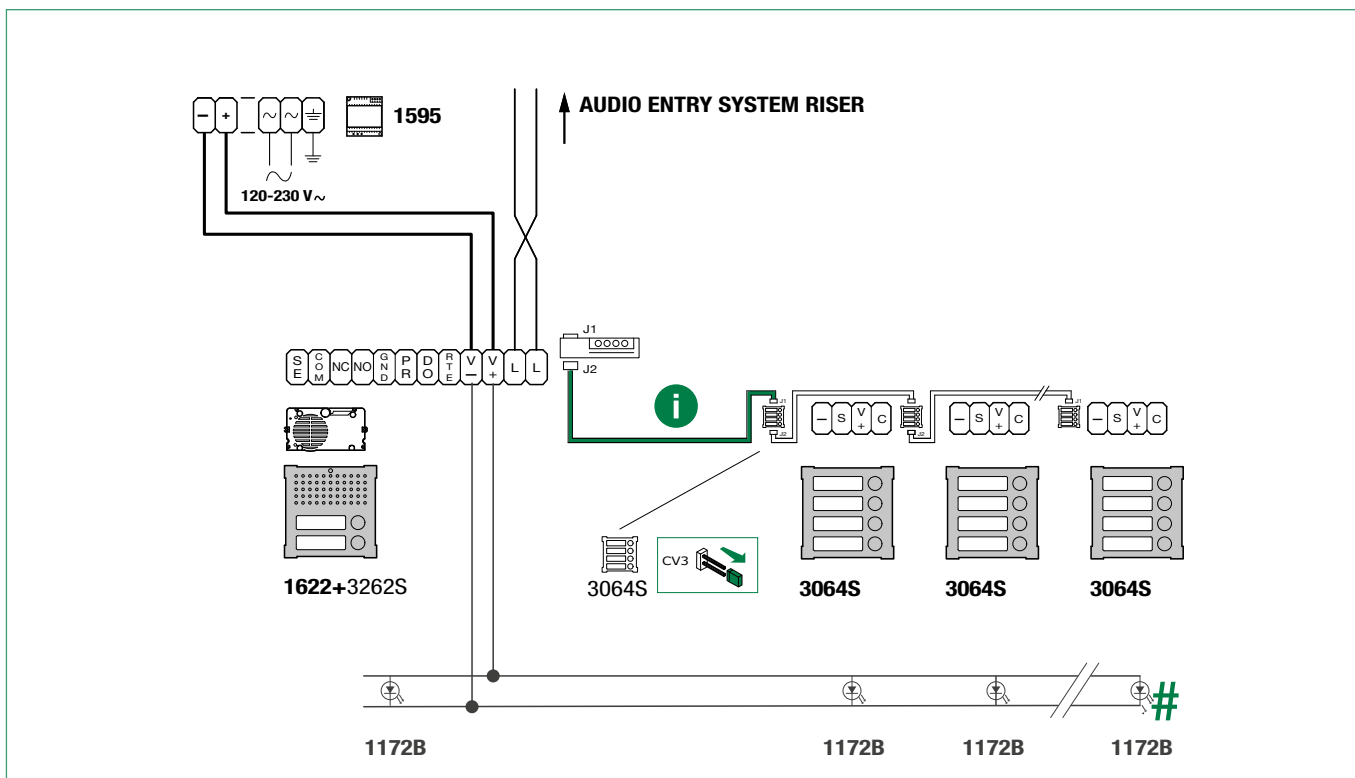


### Connection Art. 3360B, 3360BM



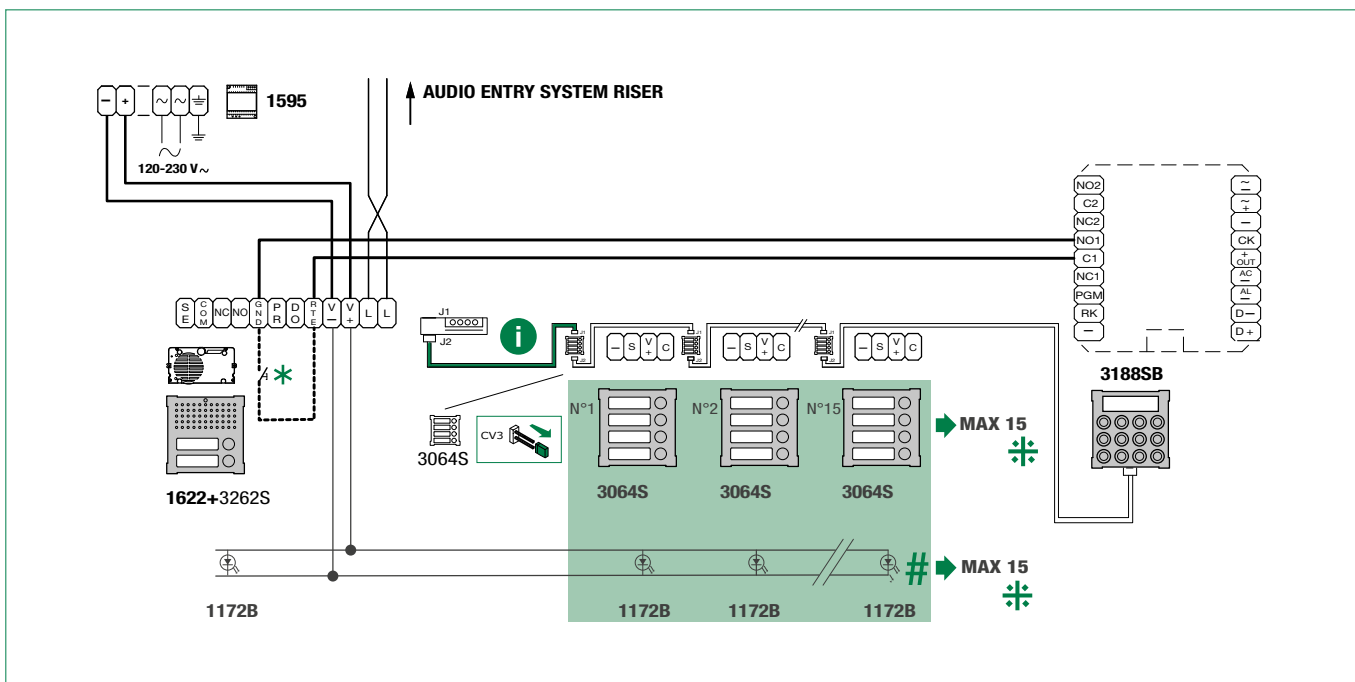
# Vandalcom modules

## Connection Art. 3064S



- i** Use the cable supplied with Art. 3262S.
- #** Use bulb Art. 1172B for nameplate lighting. The bulb is polarised.

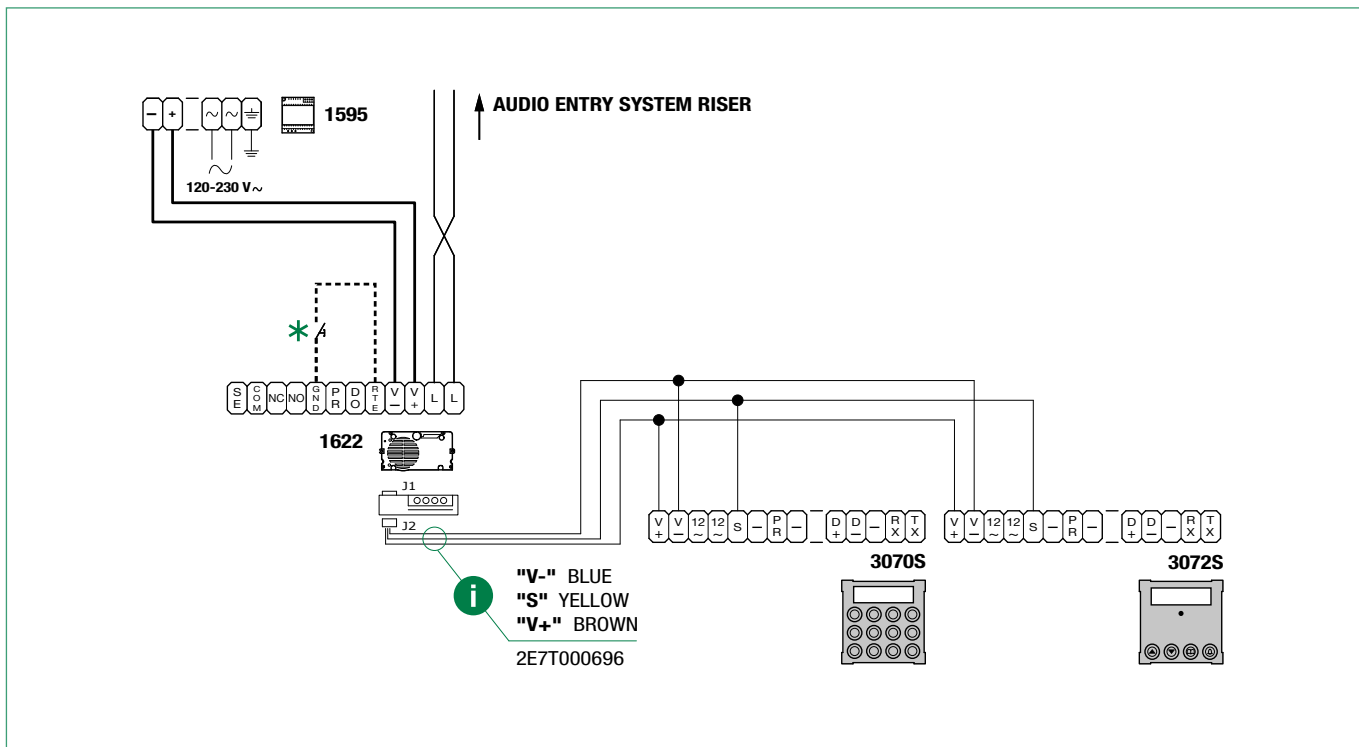
## Connection Art. 3188SB



- i** Use the cable supplied with Art. 3262S
- #** Use bulb Art. 1172B for nameplate lighting. The bulb is polarised.
- ⚡** MAX 15 modules.
- \*** 20m max. Local lock-release button.



Connection Art. 3070S, 3072S

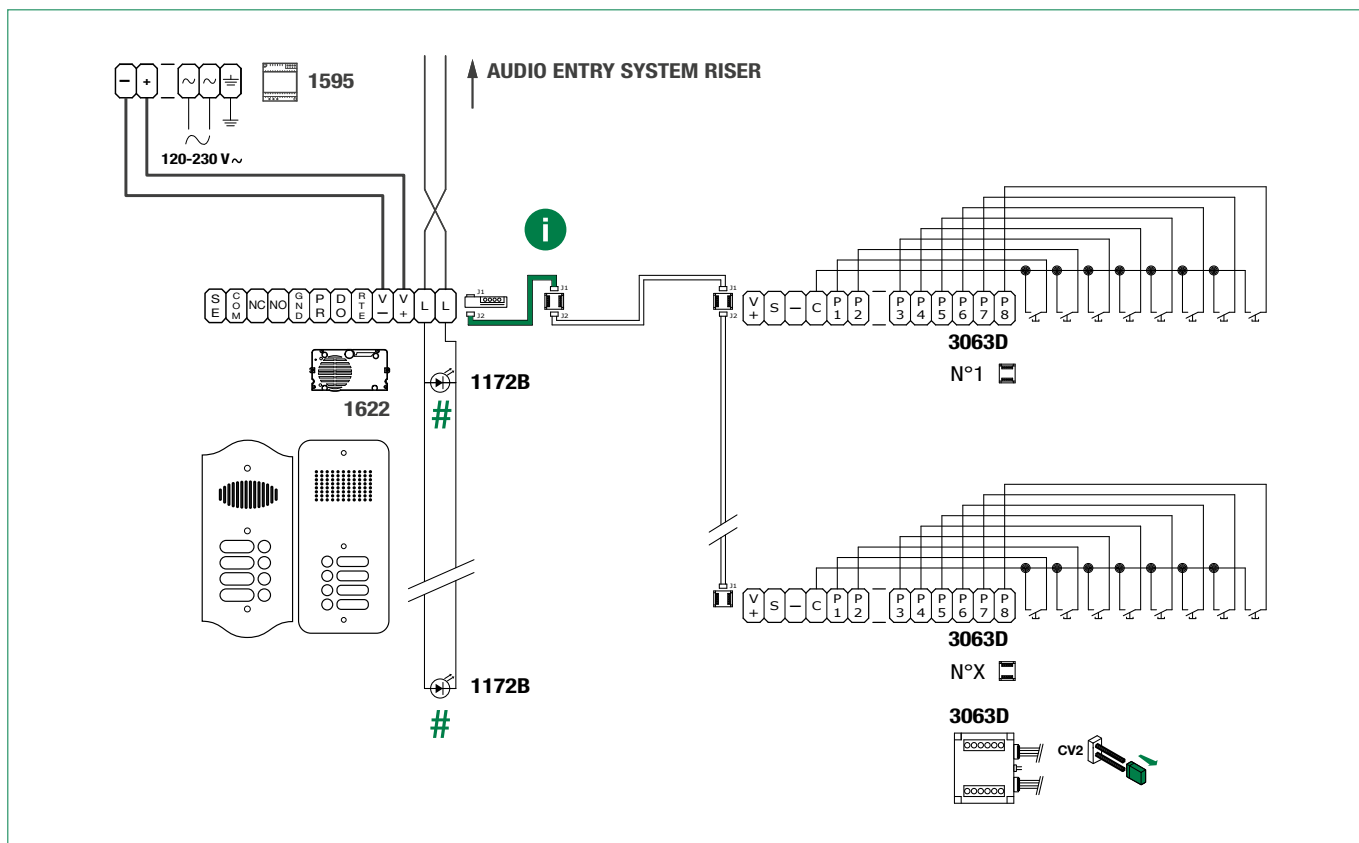


**i** Use the cable 2E7T000696 supplied with Art. 3070S and Art. 3072S.

\* 20m max. Local lock-release button.

Modules for Single-plate external unit

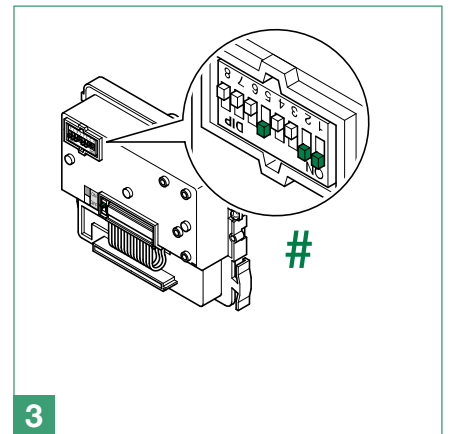
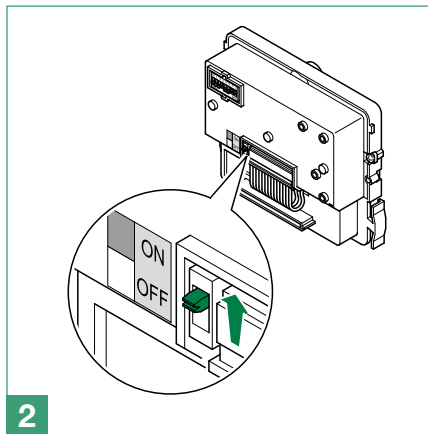
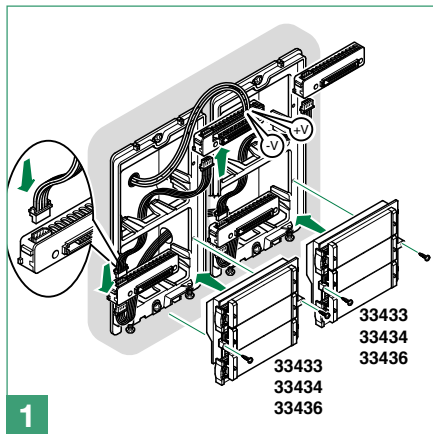
Connection Art. 3063D



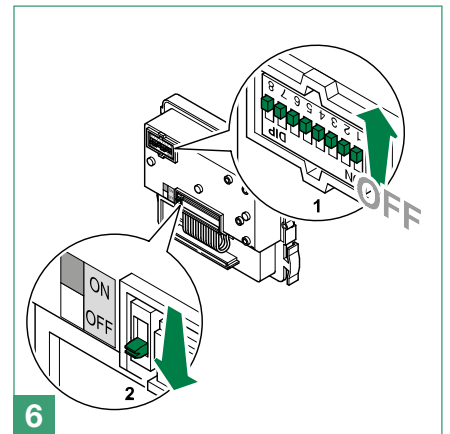
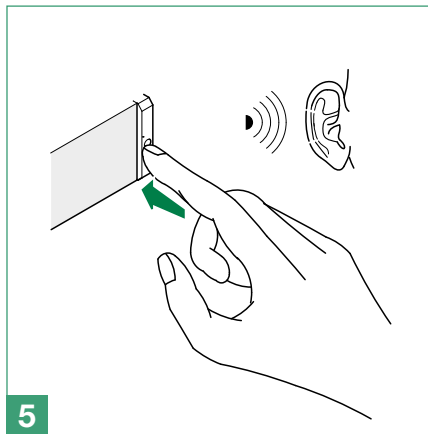
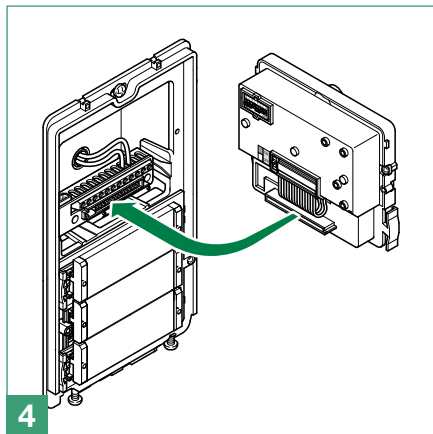
**i** Use the cable included in Art. 1250IV, Art. 1250IA

# Use bulb Art. 1172B for nameplate lighting. The bulb is polarised.

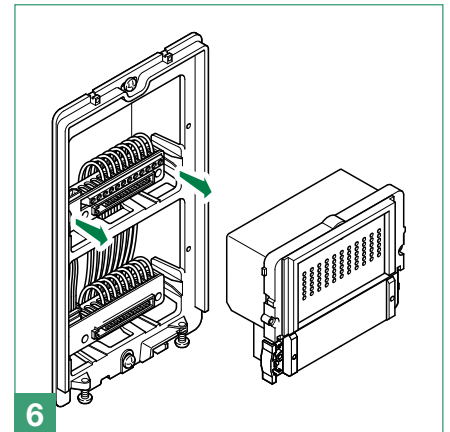
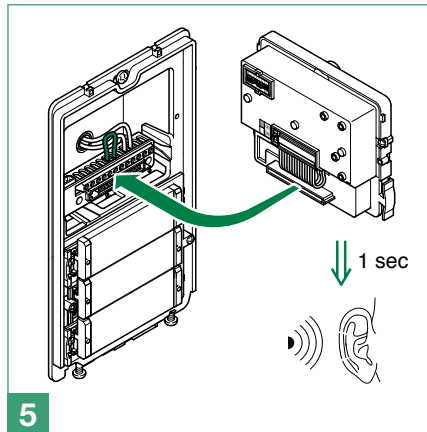
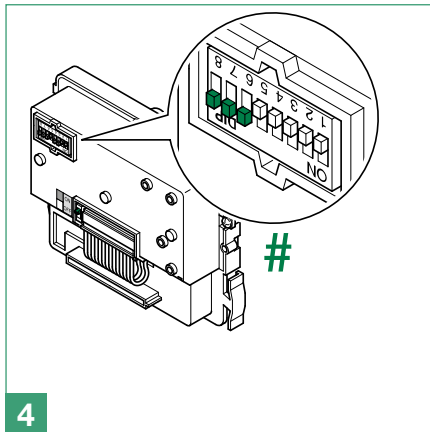
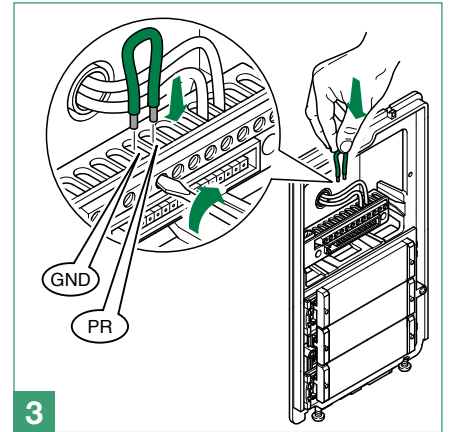
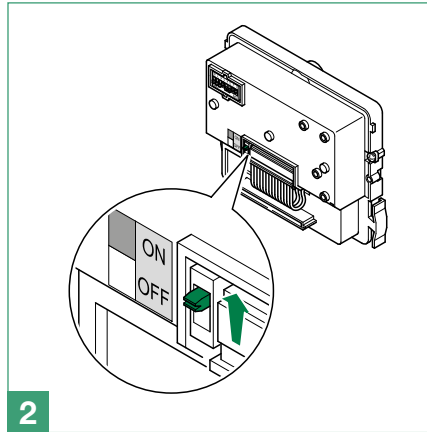
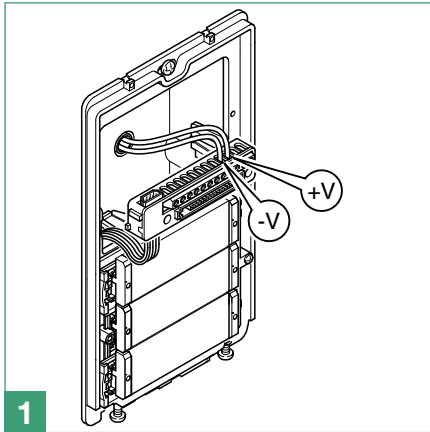
# Button programming



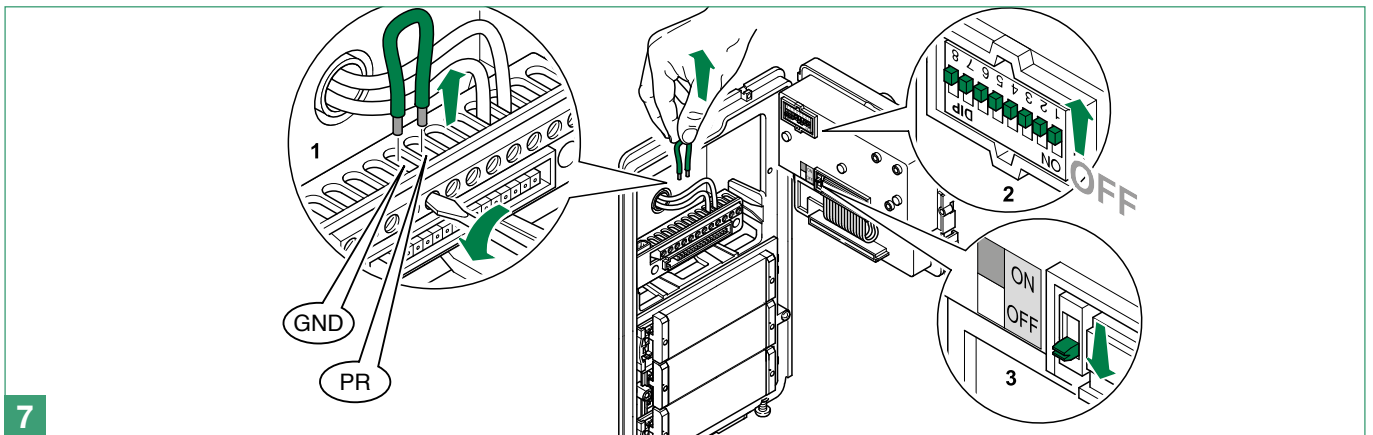
# Set the user code using the dip switches; see [addressing table](#).



# Special programmes



# Set the dip switches for the function you wish to program, see the [table below](#).



CODE	DIP SWITCH ON	FUNCTIONS
		<b>Door lock</b>
223	1,2,3,4,5,7,8	Door lock command on SE in AC (default)
224	6,7,8	Door lock command on SE in enhanced AC
225	1,6,7,8	Door lock command on SE in DC
245	1,3,5,6,7,8	Door lock time: 2 sec + deactivation tone (default)
246	2,3,5,6,7,8	Door lock time: 4 sec
247	1,2,3,5,6,7,8	Door lock time: 8 sec
248	4,5,6,7,8	Door lock confirmation tone: enabled
251	1,2,4,5,6,7,8	C.NC.NO relay in parallel with SE (default)
252	3,4,5,6,7,8	Lock-release always enabled (default)
253	1,3,4,5,6,7,8	Lock-release only enabled for user called
		<b>Actuator control management</b> <b>N.B. the system should not include Art. 1256 in generic actuator mode.</b>
229	1,3,6,7,8	Enabling C.NC.NO relay on actuator control: 2 sec
230	2,3,6,7,8	Enabling C.NC.NO relay on actuator control: 4 sec
231	1,2,3,6,7,8	Enabling C.NC.NO relay on actuator control: 8 sec
228	3,6,7,8	Actuator control on serial line S: disabled (default)
227	1,2,6,7,8	Actuator control on serial line S: enabled
		<b>System functions</b>
232	4,6,7,8	Awaiting response time: 60 sec (default)
233	1,4,6,7,8	Awaiting response time: 120 sec
234	2,4,6,7,8	Awaiting response time: 30 sec
235	1,2,4,6,7,8	Talk time: 90 sec (default)
236	3,4,6,7,8	Talk time: 180 sec
237	1,3,4,6,7,8	Self-ignition: enabled (default)
238	2,3,4,6,7,8	Self-ignition: disabled
239	1,2,3,4,6,7,8	Confirmation tone on user call: enabled (default)
240	5,6,7,8	Confirmation tone on user call: disabled
243	1,2,5,6,7,8	Reset wait time: 10 sec (default)
244	3,5,6,7,8	Reset wait time: 1 sec
208	5,7,8	Reset after lock-release in audio: enabled (default)
209	1,5,7,8	Reset after lock-release in audio: disabled
249	1,4,5,6,7,8	Call transmission: single (default)
250	2,4,5,6,7,8	Call transmission: triple
241	1,5,6,7,8	Control of internal units connected to Art. 1622: up to 70 (default)
242	2,5,6,7,8	Control of internal units connected to Art. 1622: from 71 to 100

System mode		
0		Simplebus (default)
255	1,2,3,4,5,6,7,8	Simplebus Top
254	2,3,4,5,6,7,8	Restore default

## Installation information

- Module Art. 1622 normally function as a main external unit (timed busy signal). To set it as a secondary external unit (busy signal active for the whole time the riser is in use), set all the selector DIP switches to ON.
- When a call is transmitted from the external unit, if a busy tone is heard instead of the ringtone, this means communication with another external unit is in progress.

## System performance and layouts

For further information of system performance and to view installation layouts, click on the system type that best meets your requirements:

- [SB1 audio system](#) for the creation of audio systems for *residential complexes*

CERTIFIED MANAGEMENT SYSTEMS



[www.comelitgroup.com](http://www.comelitgroup.com)

Via Don Arrigoni, 5 - 24020 Rovetta (BG) - Italy

