

PowerPlex 2000

dormakaba 



Electronic pushbutton lock eliminates problems and costs associated with issuing, controlling, and collecting keys and cards. Provides exterior access by PIN code while allowing free egress.

PowerPlex 2000 locks are self-powered electronic locks that do not require batteries or other power sources. The lock generates its own power with every turn of the lever, making it the most efficient and versatile electronic lockset available with virtually no maintenance costs.

Features

No Wires

Requires no wiring to or through the door—eliminates risk of damage from pinched wires that can result in costly callbacks

Locking Device Options

- Cylindrical: Cylindrical latch with 3-hour UL/ULC fire rating
- Rim Exit Device: Compatible with most leading brands of Exit Devices (Exit Device and mounting hardware not included)
- American Standard Mortise: With 1¼" (32 mm) face plate; with and without deadbolt, auto deadbolt also available

Number of Codes

Multiple Users—100 Codes

Handing

Non-handed; pre-assembled for left-hand door installations—easily changed in the field

Audit Trail

The most recent 1,000 Events are recorded in memory, including the use of mechanical key override. Software is required to view audit Events.

Programming

Lock is easily programmed via keypad without removing lock from the door or with optional Microsoft® Excel®-based software

Key Override (Optional)

- Optional Key-in-Lever cylinder in Schlage "C" Keyway with black Kaba cap
- Small format—Best and equivalent (6 or 7-pin length)

Operation Modes

- PIN access
- Passage—can be toggled on/off
- Lockout

Authority Levels

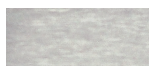
Five different levels allow who has access to specific lock functions, including: Service Codes—programmed for one-time access or "come-and-go" access for 1 to 24 hours

Features continued

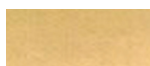
User Parameters	Code length—adjustable to accept 4 to 8 digits Anti-tamper lockout—adjustable from 3 to 9 invalid attempts with an adjustable period of 0 to 90 seconds Re-lock time—adjustable from 2 to 20 seconds
Lock Power	Self Powering—Kaba’s PowerStar™ technology supplies power for all electronic lock functions, including programming users at the keypad without ever having to change batteries. Once the first digit of a valid code is entered to “wake up” the lock, the remainder of the code can be entered and access is granted. A full charge of the built-in super capacitors will last up to 10 weeks with no activity at the lock.

Mechanical Features

Construction	Heavy-duty commercial Grade 1 lockset, solid cast exterior housing, solid cast levers, cylindrical drive wear tested for extensive use in indoor and outdoor applications
Numeric Keypad	Vandal resistant, solid metal pushbuttons
Backset	Cylindrical: 2 ¾" (70 mm) backset, 2 ⅝" (60 mm) backset Mortise: 2 ¾" (70 mm) backset Exit Trim Model: Varies by Exit Device
Latches	Cylindrical Models: ½" (13 mm) throw latch, ¾" (19 mm) throw latch (optional) Mortise Models: ¾" (19 mm) latch, 1" (25 mm) deadbolt (optional)
Strikes	Cylindrical locks packaged standard with both ANSI A115.3 "T" Strike and A115.2 ASA Strike
Exit Device	Not supplied (see list below for compatibility)
Exit Device Latch	Supplied with Exit Device
Exit Device Hub Rotation	Up to 60°
Minimum Stile Required	5" (127 mm)
Weight	Cylindrical and Mortise Models: 8 lbs. (3.63 kg) Exit Trim Models: 10 lbs. (4.54 kg)
Finishes	Satin Chrome 626 (26D) housings and levers. Optional Satin Brass 606 (04) or Dark Bronze 744 (10B) housings and levers



Satin Chrome



Satin Brass



Dark Bronze

Exit Device Compatibility

- | | |
|---|--|
| Arrow Rim # 3800 | Sargent Rim # 8800 |
| Corbin Rim # 5200 | Von Duprin Concealed Vertical Rod #s 9847/9947 |
| Detex Rim # F1001 | Von Duprin Mortise #s 9875/9975 |
| Detex Surface Vertical Rod #s 20/F20 | Von Duprin Rim #s 89/99 |
| Dorma Rim # F9300 | Von Duprin Surface Vertical Rod #s 9827/9927 |
| Precision Rim #s 21/FL21 | Yale Concealed Vertical Rod # 7160 |
| Precision Surface Vertical Rod #s 22/FL22 | Yale Rim # 7100 |

ATTENTION: Compatibility is subject to change if modifications are made by Exit Device manufacturers without Kaba's knowledge.

Key Override Options

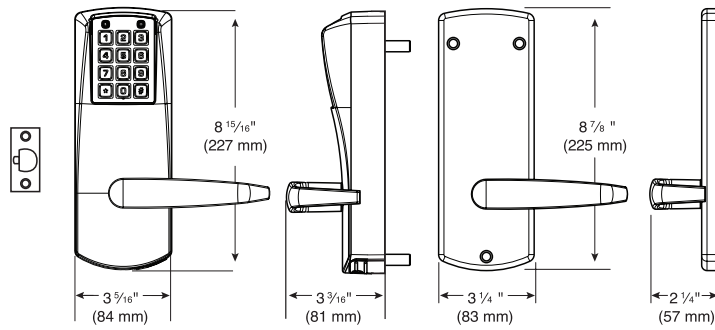
Key-in-Lever Cylinder	Kaba 1539 6-pin cylinder—Schlage "C" Keyway
Interchangeable Core	Small format—Best and equivalent (6 or 7-pin length); cylinder not included

Installation

Ease of Installation	No wiring to or through the door—no risk of pinched wires
Door Preparation	Cylindrical and Exit Trim—ASA 161 (easily installs on door preparation with three additional through bore holes; wood or metal doors) Mortise—ASA 86 door preparation with three additional through bore holes
Door Thickness	Cylindrical Model: 1 $\frac{3}{8}$ " (35 mm) to 2 $\frac{1}{2}$ " (64 mm); pre-assembled to accommodate doors 1 $\frac{5}{8}$ " (41 mm) to 2" (50 mm) Exit Trim and Mortise Models: 1 $\frac{3}{4}$ " (44 mm) to 2 $\frac{1}{4}$ " (57 mm); pre-assembled to accommodate doors 1 $\frac{3}{4}$ " (44 mm) to 2 $\frac{1}{8}$ " (54 mm)
Items Supplied Include	Cylindrical and Mortise—Lock assembly, installation manual, template, quick reference guide, operations manual, and required hardware. Exit Trim—Lock assembly, installation manual, template, quick reference guide, operations manual, and required hardware. Exit Device and mounting hardware not included.
Additional Items Supplied with Key-in-Lever Cylinder Model Only	Includes Universal Kaba 1539 6-pin cylinder, two nickel silver keys, and Schlage "C" Keyway.
Accessibility Standard	Americans with Disabilities Act (ADA)
Fire Rating	UL 10C fire rated
Durability	ANSI/BHMA Grade 1 Certified (A156.25, A156.2, A156.13, A156.3)
Environmental	Indoor/Outdoor approved; -31 °F (-35 °C) to 151 °F (66 °C); Windstorm approved/certified
Warranty	
Warranty	3-year warranty from date of installation; built-in warranty counter in lock memory

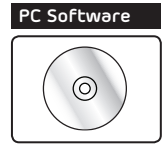
Cylindrical

Optional Feature



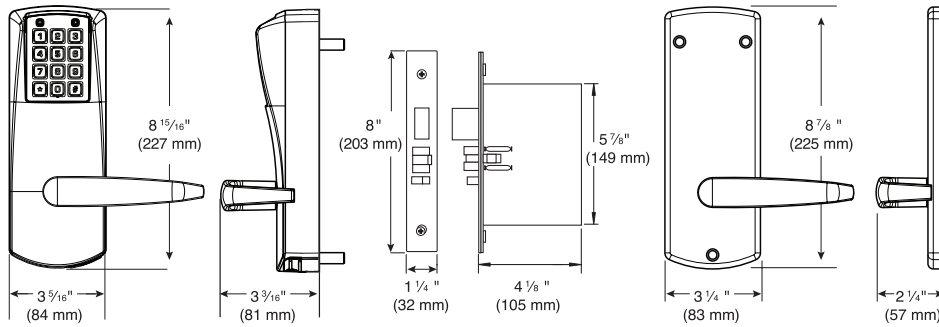
P2000 Exterior

Interior



Mortise

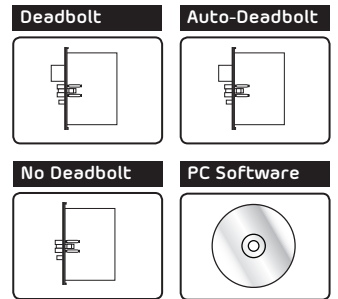
Optional Features



P2000 Exterior

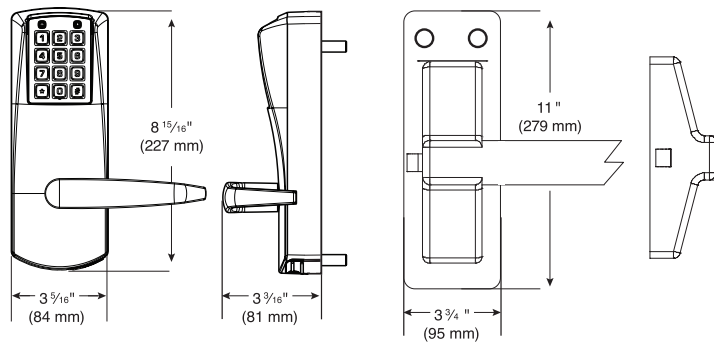
P2000 Mortise

Interior



Exit Trim

Optional Feature



P2000 Exterior

**Interior
(Exit device not included)**

