

## Section 1

### General Description

Camden Lazerpoint™ Radio Controls comprise the following models:

- CM-TX-9 Wall switch ready transmitter
- CM-RX-91 Basic Receiver
- CM-RX-92 Full function (dual relay) Receiver.

This instruction manual covers the TX-9 and RX-91 models as well as the plug-in daughterboard's, and related accessories.

Camden Lazerpoint™ RF is the first system designed to address the specific needs of the Automatic Door industry. Unlike typical “garage door” RF, Camden’s Lazerpoint™ operates at 915 MHz frequency to “cut through” the noise and clutter, and penetrate typical building materials to ensure a reliable installation every time.

TX-9 transmitters utilize readily available AAA batteries, and special circuitry to assure long life.

A proprietary piezo sounder is used to announce low battery, battery level, and “stuck switch” conditions.

Two receiver models are offered – the basic single relay RX-91, and the full function RX-92. The RX-92 offers 6 operating modes including dual independent channels, latching, and bi-directional sequencing.

Both receivers can be fitted with plug-in daughterboard's ensuring compatibility with older RF technologies. Up to two such boards may be installed at one time, simultaneously allowing the receiver to work with three different frequencies – another Camden exclusive.

Both receiver models feature convenient terminal strip connections, visual signal strength indicators, and 40 code memory with push-and-learn technology.

## Section 2

### Installation

#### Mounting

The TX-9 is designed to mount behind a switch in a wall-box, post, or other suitable enclosure. Double sided tape is used to attach the circuit board and battery holder securely to the enclosure. Even though the circuit board is conformal coated, care should be taken to ensure the transmitter does not get wet.

The RX91 receiver is designed to mount inside the automatic door header. Screw holes are located at each end of the receiver case, or the included velcro may also be used to hold it securely.

For Dimensional information refer to RX-91 Electrical and Mechanical Drawing on Page 4.

#### Wiring

Note: Do not use the Lazerpoint RF system as a Safety device!! If safety devices are used, always wire them directly to the operator control box.

Refer to the TX-9 Installation Drawing (supplied with Transmitter) for the following connections:

Connect the transmitter wires to the activating switch (N.O. momentary dry contacts). Insert 2 fresh AAA alkaline batteries (provided) into the battery holder.

Press the switch and observe the red LED to ensure proper transmission.

Test the transmitter by pressing and holding the switch for 5 seconds. The piezo speaker should sound 5 beeps, meaning the batteries are at full capacity. This is the Battery Gauge™ feature.

If the piezo beeps only 1 - 3 times, you should change the batteries for fresh (new) ones.

Now press and hold the switch for 15 seconds. The piezo should now make a distinctive hi-low sound.

This signal will sound for 6 seconds, then turn off for a minute,

then sound again. This is the “stuck switch indicator” feature. Repeat for additional transmitters.

Refer to the RX-91 Wiring Diagram on Page 5, and wire the receiver as follows:

Wire the device (electric lock / operator) to Relay 1 output - terminal 3 is **N.O.** 4 is **Common**, and 5 is **N.C.**

Connect 12 or 24 Volt AC or DC to terminals 1 & 2 on the receiver. (The terminals are *not polarity sensitive*).

## Section 3

### Set-up Instructions

#### Step 1

#### Learning the Transmitter(s) to the Receiver

To learn the transmitter into the receiver, press the PB1 button using a small blunt object such as a small blade screwdriver or similar. Within 10 seconds, press the switch connected to a TX-9 transmitter. The Green LED Array will flash once to confirm enrolment. Repeat with any additional transmitters. Pressing the learned transmitter again will signal the receiver that you are finished programming and

LED's 1 & 2 will flash, in an alternating sequence. Pressing the transmitter a third time will activate the relay and corresponding LED, and also the device connected to the relay contacts.

If you wait longer than the 10 second period, the receiver will time out of Learn Mode and revert back to standby. The LED will then flash to indicate the number of transmitters learned into the receiver.

#### Step 2

#### Adjustments

The RX-91 has a hold timer (delay-on-release) of 1 –30 seconds To increase time, turn the pot clockwise, or for minimum time, turn the pot counter-clockwise.

Always walk-test the installation and adjust the timer to suit.

#### Step 3

#### Testing Signal Strength

By setting Dip Switch #4 to ON, you can display the signal strength of the transmission from a TX-9 transmitter. The benefit is the installer will be able to determine that the transmitter or receiver is in the best possible location and

that the transmission is not being hindered by possible interference.

To display signal strength, set Dip switch #4 ON. Activate the transmitter, and observe the number of flashes of LED 1. One or two **RED** flashes indicates poor reception, and it is suggested to move the transmitter or receiver until 3 to 5 **GREEN** flashes are observed. Sometimes moving the transmitter only a few inches one way or another will make a significant difference. Four or five flashes are ideal.

#### Step 4

#### Deleting Transmitters

Pressing and holding PB1 for 8 seconds will delete all transmitters. The LED Array will flash rapidly for 4 seconds to indicate erasure of the codes. Note that individual removal of specific codes is not possible at this time.

#### Step 5

#### Adding Daughterboards

A unique feature of Camden’s Lazerpoint RF is the ability to add one or two daughterboards, extending compatibility to older technologies. This ability to work with additional frequencies also allows the user to utilize hand-held transmitters as well as wallswitch-ready transmitters.

The daughterboards may be factory or field installed. Please see Drawing DRG-RX-DB (page 6) for detailed installation instructions.

The daughterboards may be identified by the model number and antenna colour, as shown in the chart below:

Model #	Frequency	Antenna
RX-DBB	300 MHz	Blue
RX-DBO	318 MHz	Orange
RX-DBR	390 MHz	Red
RX-DBW	433 MHz	White

Once installed, the learning of transmitters on above frequencies is identical to the TX-9 transmitter. Also, the 40 code memory limit includes all transmitters, even those learned in on the daughterboards.

## Step 6

### Using CM-RFCT Cable tool

Since the LED's may be difficult to see once the RX-91 is installed, a 33" long plug-in cable tool is available.

The CM-RFCT Cable Tool plugs into the opening on the side of the receiver, and allows the installer to view LED's mounted on the free end. Pairs of LED's mounted on both sides of the cable increase visibility.

Display status is dependant on Dip switch 4 setting. Turn **OFF** to view relay status, and turn **ON** to view the Signal Strength.

When installation is complete, simply unplug the cable tool, coil and save for another job.

## Section 4

### Technical Data

#### Model

<b>Model</b>	<b>TX-9 Transmitter</b>
Transmit Frequency	902 / <b>915.25</b> / 928 MHz (spread spectrum technology)
Codes	1 million unique (20 bit) codes
Size	2 ¼" L x 5/8" W x 3/8" H
Mounting	Double sided foam tape
Switch Connection	2 x 10" leads with ¼" <i>quick disconnect</i> terminations
Built-in Piezo sounder	Used for Low Battery status, Battery Gauge™, and Stuck Switch indicator.
Power	2 x AAA alkaline batteries
Battery life	Minimum 500,000 operations
Range	Over 500 ft (open area)
Temperature rating	-40 to 185 F (-40 to +85 C)

#### Model

<b>Model</b>	<b>RX-91 Receiver</b>
Size	3 ½" L x 2" W x 1" H
Mounting	2 # 8 screws at 4" centers, or Velcro (supplied)
Enclosure	Clear plastic case
Operating voltage	12 / 24 Volts, AC / DC
Current Draw	23 mA nominal @ 24 VAC 63 mA maximum @ 24 VAC + 5 mA per RF module
Response time	30 – 200 ms

Memory	40 transmitters
LED's	Indicate: relay status; signal strength; learn mode; erase mode & potentiometer position
Output	1 x SPDT relays
Relay contact rating	3 amps @ 30 VDC
Time Delay	1 – 30 seconds
Electrical Life	1 x 10 <sup>5</sup> minimum
Temperature rating	-40 to 185 F (-40 to +85 C)
Certifications	·FCC Part 15 Compliant ·Canada RSS CNR210:1078 1032 061A ·Meets: IEC60601-1-2:2007 Patent Pending

### Accessories:

Plug-in daughterboard's extend capability with other frequencies. Refer to the following chart:

Daughterboard Model	Optional Frequency	Antenna Colour
RX-DBB	300 MHz	Blue
RX-DBO	318 MHz	Orange
RX-DBR	390 MHz	Red
RX-DBW	433 MHz	White

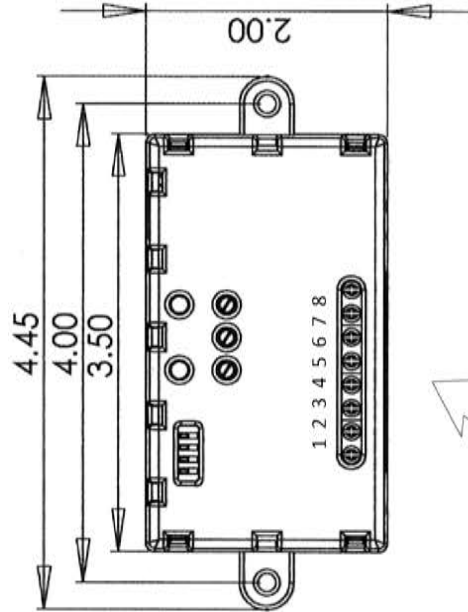
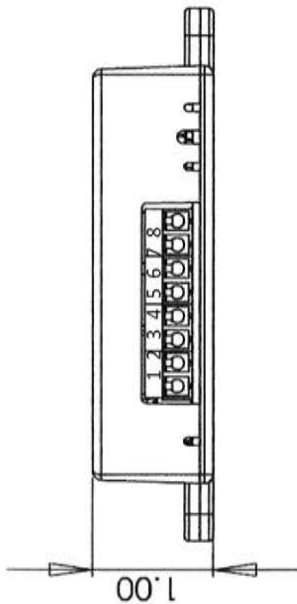
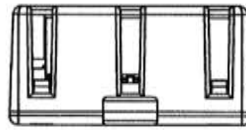
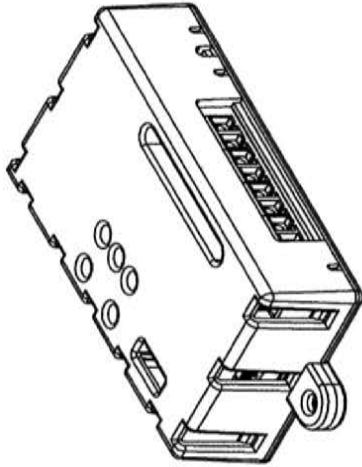
CM-RFCT – A 33" long cable-tool for high visibility of relay status and signal strength

## Section 5

### Warranty

Camden Door Controls guarantees the Lazerpoint RF (TX-9, RX-91, or RX-92 models) to be free from manufacturing defects for 3 years from date of sale. If during the first 3 years a Lazerpoint RF component fails to perform correctly, it may be returned to our factory where it will be repaired or replaced (at our discretion) without charge. Except as stated herein, Camden extends no warranties expressed or implied regarding function, performance or service.

*NOTE: Batteries are exempt from this warranty!*



1	Power Input	12/24 V AC/DC
2	Power Input	
3	Relay 1 - N.O.	
4	Relay 1 - Com	Form C
5	Relay 1 - N.C.	
6		
7		
8		



**Camden Door Controls**

5502 Timberlea Blvd.  
Mississauga, Ontario  
L4W 2T7

SCALE: NONE

DRAWN BY: DGW

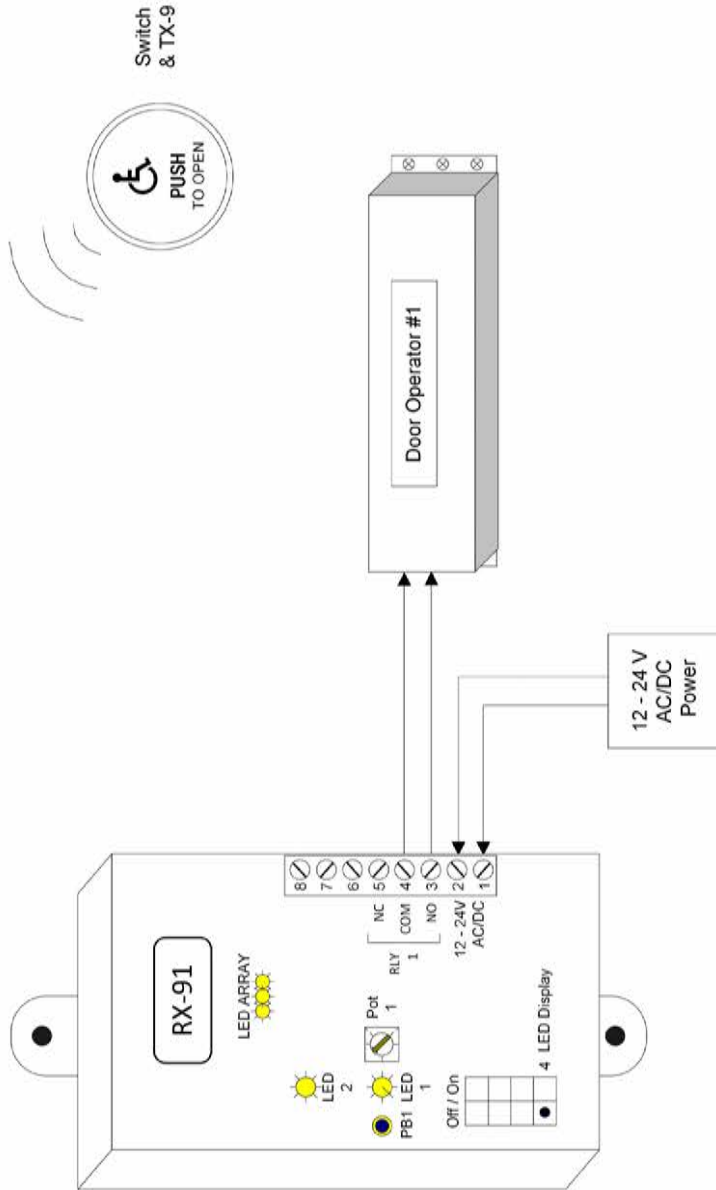
DATE: 11/16/09

REVISED:

*RX-91 Electrical and Mechanical*

DRAWING No: DRG-RX-91 Dimensional

FILENAME: RX\_91dimensional Diagram 1.vsd



**Programming transmitters into the Receiver:**

- Channel 1:**
- Step 1 - Press PB1 on receiver, and LED1 will light to indicate unit is in Program Mode.
  - Step 2 - Press a wall switch connected to a TX-9 and the LED Array (located just under the Model N° label) will flash once to confirm enrollment. LED1 will continue to light.
  - Step 3 - Repeat Step 2 for additional switches / transmitters.
  - Step 4 - To exit Program Mode, re-activate a learned transmitter and LED's 1 & 2 will alternately flash for 4 seconds, indicating the end of Program Mode. You can also wait 10 seconds and the receiver will exit Program Mode automatically. LED1 will then flash to indicate the number of transmitters learned in.
  - Step 5 - Re-activate a transmitter and channel 1 relay will fire for the time set by Pot 1 - Turn clockwise to increase time, and counter-clockwise to decrease time.

		<b>Camden Door Controls</b> 5502 Timberlea Blvd. Mississauga, Ontario L4W 2T7	
SCALE: NONE	DRAWN BY: DGW	DATE: 11/16/09	REVISED:
RX-91 Typical Wiring Diagram			
DRAWING No: DRG-RX91-01		FILENAME: RX_91 Diagram 1.vsd	

**STEP 1**

- Ensure power is turned off, or removed from board
- Carefully press in two tabs on one end of plastic case
- Pry case lid up and off circuit board. Set aside

**STEP 2**

- Remove daughterboard from packaging, and carefully insert it into either one of the two headers on main circuit board
- Ensure all 9 pins are properly seated into header, and daughterboard is straight up and down (not bent over)

**STEP 3**

- Repeat for additional daughterboard, if desired
- Using case lid as a guide carefully route antenna wires to fit into slots on lid
- Re-install lid making sure wires are routed to avoid damage
- lid should snap onto tabs on ends

**CAUTION !**  
Do not install or remove Daughterboard(s) with unit powered.  
Remove power first

		5502 Timberlea Blvd. Mississauga, Ontario L4W 2T7	
SCALE: NONE	DRAWN BY: DGW	DATE: 11/16/09	REVISED:
<b>Camden Door Controls</b>			
<b>RX-91 and Daughterboard Assembly</b>			
DRAWING No: DRG-RX-DB		FILENAME: RX_DB Assembly Diagram 2.vsd	

**Questions?**  
**Call us toll-free at 1-877-226-3369**



5502 Timberlea Blvd., Mississauga,  
ON Canada L4W 2T7

www.camdencontrols.com  
Toll Free: 1.877.226.3369

File: Lazerpoint RF TX-91  
Manual .indd Rev1  
Revised: April, 2014  
Part No.: 40-82B121