



CM-331 1 Relay Touchless Switches



The SureWave™ family of touchless switches by Camden lead the industry in performance, quality and value - with a range of features unmatched by any other on the market.

CM-331 touchless switches provide 'state of the art' door activation and control while eliminating the spread of germs.

These line powered touchless switches offer an adjustable operating range, selectable motion sensing and relay operating modes, hold open timer(s), REX and door position inputs, and the option for a light ring and wireless transmitter.



NEW APPLICATION

Ideal for activation and control, where door status indication is required. This eliminates the need for a separate door control relay.

Includes option for Light Ring and Wireless Transmitter



RETROFIT APPLICATION

Ideal for replacement of non-powered switches, without the need for battery maintenance. Re-use 2 existing wires for power and optional CM-TX99 plug-in wireless transmitter to activate door opening.

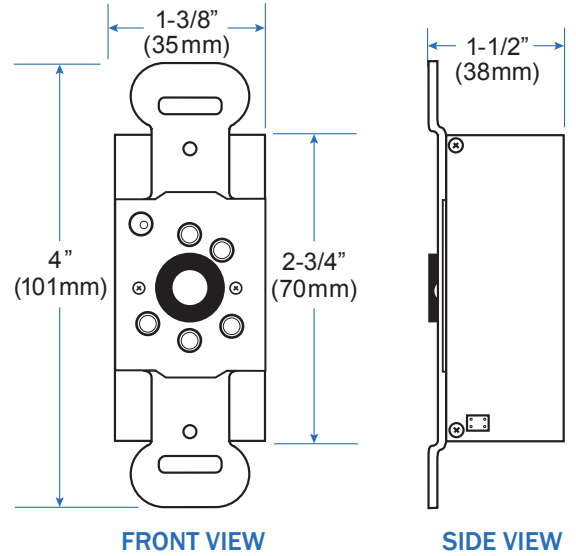
Includes option for Light Ring and Wireless Transmitter



SPECIFICATIONS

NO. OF IR SENSORS:	2
OPERATING VOLTAGE:	12-24 VOLTS, AC/DC ± 10%
CURRENT DRAW:	40mA
STANDARD OPERATING RANGE:	1" - 28" (25.4MM – 711.2M)
AUTO OPERATION RANGE:	6" TO 72" (152MM – 1820MM)
OPERATING MODES (MOTION SENSING MODES):	MOMENTARY MOMENTARY WITH ALARM MAINTAINED (LATCHING) AUTO RANGE
RELAY OPERATING MODES:	SINGLE EVENT TOGGLE
RELAY OUTPUT:	(1) FORM 'C' (SPDT)
RELAY CONTACT RATING:	3 AMPS @ 30 VDC
OUTPUT TYPE:	FAIL SAFE OR FAIL-SECURE
INPUTS:	'REQUEST TO EXIT' EXTERNAL (DOOR CONTACT) INPUT
CURRENT DRAW:	8mA MAX

SWITCH DIMENSIONS



MODELS

CM-331	Wired Touchless Switch, Line Powered, 1 Relay
---------------	---

OPTIONAL FACEPLATE MATERIAL (Supplied Black Polycarbonate Standard)

S	Stainless Steel Faceplate
----------	---------------------------

OPTIONAL FACEPLATE GRAPHICS (Supplied Blank Standard)



Add 'F' to graphic option for French language

OPTIONAL FACEPLATE SIZE (Supplied Single Gang Standard)



Single Gang
Compatible surface
mount box CM-34BL.



/N - Narrow
Compatible narrow
jamb surface mount
box CM-23D.



/W - Double Gang
Compatible surface
mounting box
CM-43CBLA.



/R - 6" Round
Stainless Steel Only,
'SGLR' light ring option
required for illumination.
Compatible semi flush
escutcheon, CM-79A.

OPTIONAL LIGHT RING



-SGLR

Plug-in light ring for single gang, double gang, and 6" round stainless steel faceplates. Red / Green / Blue controlled by switch or remotely.

OPTIONAL WIRELESS



CM-TX99

Lazerpoint RF™ 915Mhz. plug-in transmitter, no battery required.



CM-RX90

Lazerpoint RF™ single relay receiver, 12/24V AC/DC



For a complete list of all SureWave™ Touchless Switch Kits, please visit www.camdencontrols.com



Opening New Doors to
Innovation, Quality and Support!

5502 Timberlea Blvd. Mississauga, ON Canada L4W 2T7 • Toll Free: 1 877 226-3369 (CAMDEN9)
Tel: (905) 366-3377 • Fax: (905) 366-3378 • E-mail: info@camdencontrols.com • www.camdencontrols.com



Part #: MKTG-LIT-SP-CM-331