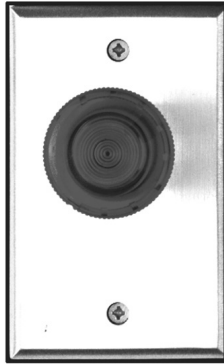


## CM-3000 ILLUMINATED EXIT SWITCHES

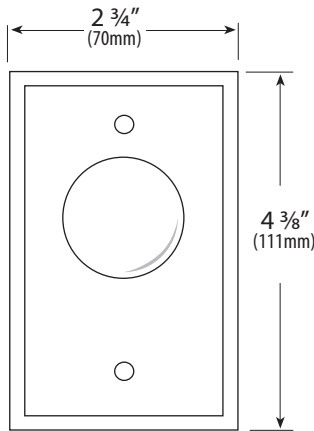


### FEATURES

- HIGH VISIBILITY LED OPERATION
- RED OR GREEN ILLUMINATED BUTTONS
- MOUNTED ON HEAVY 1/4" THICK ALUMINUM PLATE
- SINGLE GANG OR 1 3/4" WIDTH
- 12V OR 24V DC OPERATION
- INDOOR /OUTDOOR APPLICATIONS
- DOOR FRAME, WALL , OR PEDESTAL MOUNTING
- LARGE ENGRAVED SYMBOLS OR WORDS
- SPRING RETURN OR PUSH/PULL OPERATION
- STACKABLE CONTACTS CAN CONTROL 6 DISTINCT FUNCTIONS
- UL/CSA APPROVED SWITCHES, RATED 10 AMPS@ 30V DC
- COLOR CODED 18 AWG SPADE CONNECTIONS
- BRUSHED ALUMINUM FINISH
- CUSTOM ENGRAVING AND FINISHES AVAILABLE



CM-3000



CM-3000

### DESCRIPTION

**CAMDEN DOOR CONTROLS CM-3000 Series** Exit Switches are heavy duty push-buttons designed for industrial and commercial applications, where illumination is required. Buttons are 1 5/8" (40mm) in diameter, and are available in red or green (other colors on request) The faceplate is 1/4" thick brushed aluminum, in 1 3/4" or 2 3/4" widths. Optional duranodic (US 40) finish is also available.

The switches are UL/CSA approved, rated 10 amps @ 30V DC, either momentary or maintained operation.

### APPLICATION

Camden illuminated Exit Switches are ideal for high traffic areas such as building front entrances and exits, as well as institutions such as hospitals where an illuminated button is required. They can be surface, flush, or mullion (narrow stile) mounted.

Camden Illuminated Exit switches are designed to control electric locks, electro-magnetic locks, electric strikes, automatic doors, and handicap operators. They may also be used for automatic doors, shunting, bypassing alarms, request to exit, timed functions, and many other applications.

KEY SWITCHES

PUSH BUTTONS

MOUNTING OPTIONS

RF CONTROLS

HANDS-FREE SWITCHES

SPECIAL PURPOSE SWITCHES

KEYPADS

ACCESSORIES

# ILLUMINATED EXIT SWITCHES

## ARCHITECTS /ENGINEERS SPECIFICATIONS

The illuminated exit switches to be used throughout the site/complex shall be CAMDEN DOOR CONTROLS CM-3000 series Illuminated Exit Switches.

The button shall be 1 5/8" in diameter, and designed to be easy to activate. The faceplate shall be constructed of 1/4" thick aluminum, and shall be supplied with stainless steel Torx or snake eye security screws. All symbols, letters and/or markings shall be permanently engraved into the mushroom shape button.

Rating for all electrical contacts shall be a minimum of 10 amps @ 30 VDC. The switch used shall be a UL/CSA approved type, supplied with color coded leads and operate on 12V or 24V.

## ORDERING INFORMATION

All CM-3000 Illuminated Exit Switches come with a 1 5/8" (40 mm) mushroom button (red or green), LED bulb, brushed aluminum faceplate, 2 socket/slotted screws, and 2 tamperproof screws.

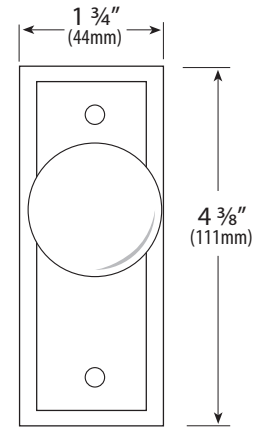
MODEL	DESCRIPTION
<b>SINGLE GANG FACEPLATE 2 3/4"</b>	
CM-3000	SPRING RETURN, N/O, SPST MOMENTARY
CM-3010	SPRING RETURN, N/C, SPST MOMENTARY
CM-3020	SPRING RETURN, N/O AND N/C, DPST MOMENTARY
CM-3030	PUSH/PULL, N/O, SPST MAINTAINED
CM-3040	PUSH/PULL, N/C, SPST MAINTAINED
CM-3050	PUSH/PULL, N/O AND N/C, DPST MAINTAINED
<b>NARROW FACEPLATE 1 3/4"</b>	
CM-3100	SPRING RETURN, N/O SPST MOMENTARY
CM-3110	SPRING RETURN, N/C, SPST MOMENTARY
CM-3120	SPRING RETURN, N/O AND N/C, DPST MOMENTARY
CM-3130	PUSH/PULL, N/O, SPST MAINTAINED
CM-3140	PUSH/PULL, N/C, SPST MAINTAINED
CM-3150	PUSH/PULL, N/O AND N/C, DPST MAINTAINED

### For Engraving, add:

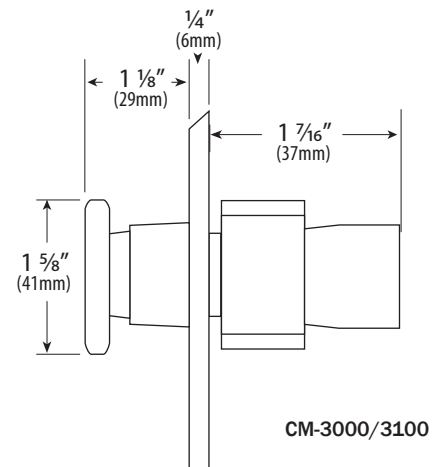
- 'E' for EXIT engraved in white
- 'S' for SORTIE engraved in white
- 'ES' for EXIT/SORTIE engraved in white
- 'ESA' for EXIT/SALIDA engraved in white
- 'C' for CUSTOM ENGRAVING in white
- 'H' for WHEELCHAIR symbol engraved in white
- 'SA' for SALIDA engraved in white

### For Color, add:

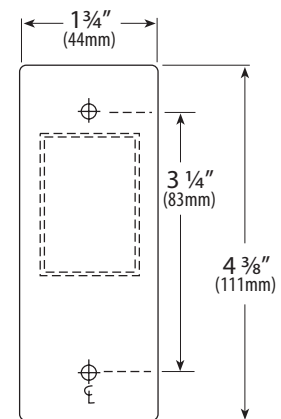
- 'R' for RED button
- 'G' for GREEN Button



CM-3100



CM-3000/3100



CM-3100