

## IS-310 / IS-320



### Request to Exit PIR

Honeywell's Request-to-Exit (RTE) sensors offer basic and full-featured models to suit every access control application. The quick-install sensors are extremely flexible, provide a generous amount of wiring room and contain built-in internal "tamper proof" shutters that provide precise target area detection.

### KEY FEATURES :

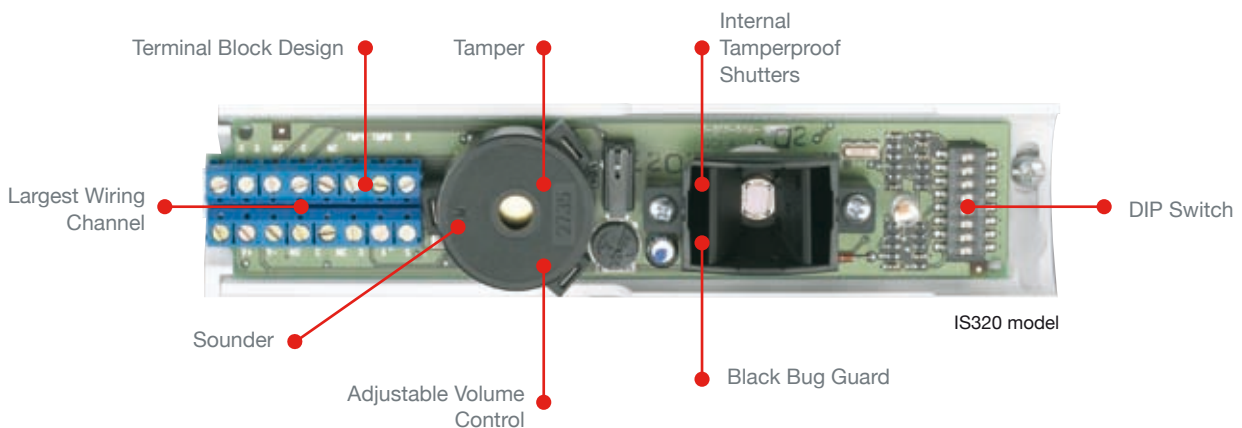
#### IS310:

- Adjustable relay time (0.5 - 64 seconds)
- Micro-based signal processing
- Adjustable "tamper proof" shutters which provide precise target area
- Two Form C outputs
- Swivel optics - allow for offset mounting
- Patented black bug guard
- Available in white or black

#### IS320:

- IS320 include the same features as IS310, plus:
- Piezo Sounder with volume control
  - Door contact input
  - Reader/keypad/keyswitch input
  - Remote arming and sounder inputs
  - Cover tamper

#### IS320 model shown:



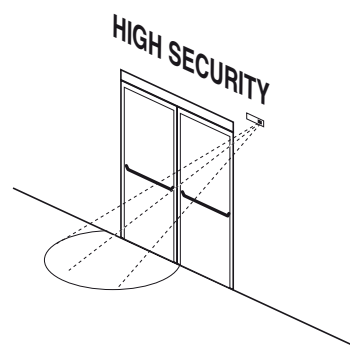
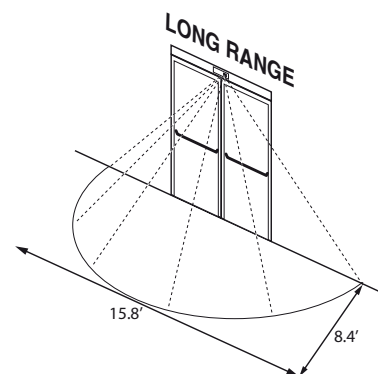
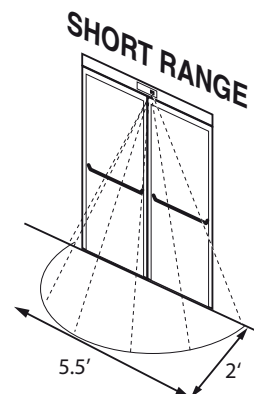
# IS-310 / IS-320

## Request to Exit PIR

### Specifications:

Specification	
Detectable Walk Rate	0.5-10'/sec
Signal Processing	RTE and Security modes
Temperature Compensation	Advanced dual-slope
Alarm Relay	Two Form C outputs
Input Voltage	12-24 volts AC or DC
Standby Current	35mA
Indicators	Green (ready) LED
Operating Temperature	-10°C to 50°C
Dimensions	L x H x D (17.7cm x 5cm x 5cm)
Sounder	Adjustable to 60dB@10' (3.05m)*
Cover Tamper Switch	contact rating 100mA 30VDC* * IS320 model only

### Detection patterns:



### ORDERING:

IS310WH (0-000-361-01) Entry Level RTE - White  
IS310BL (0-000-361-02) Entry Level RTE - Black  
IS320WH (0-000-361-03) Fully Featured RTE - White  
IS320BL (0-000-361-04) Fully Featured RTE - Black

### Honeywell Security & Custom Electronics

Newhouse Industrial Estate, Motherwell,  
Lanarkshire, ML1 5SB UK  
Tel +44 (0)1698 738200  
Fax +44 (0)1698 738300  
Literature +44 (0)870 240 3387  
[www.honeywell.com/security/uk/intruder](http://www.honeywell.com/security/uk/intruder)

### Honeywell Security & Custom Electronics

Network 121, 1446 WV Purmerend  
The Netherlands  
Tel +31 (0) 299-410200  
Fax +31 (0) 299-410201  
[www.honeywell.com/security/nl](http://www.honeywell.com/security/nl)

To reorder this literature,  
call +44 (0)870 240 3387 quoting ref:  
HSCE-IS310320-01-EN(1007)DS-C  
October 2007  
© 2007 Honeywell International Inc.

# Honeywell