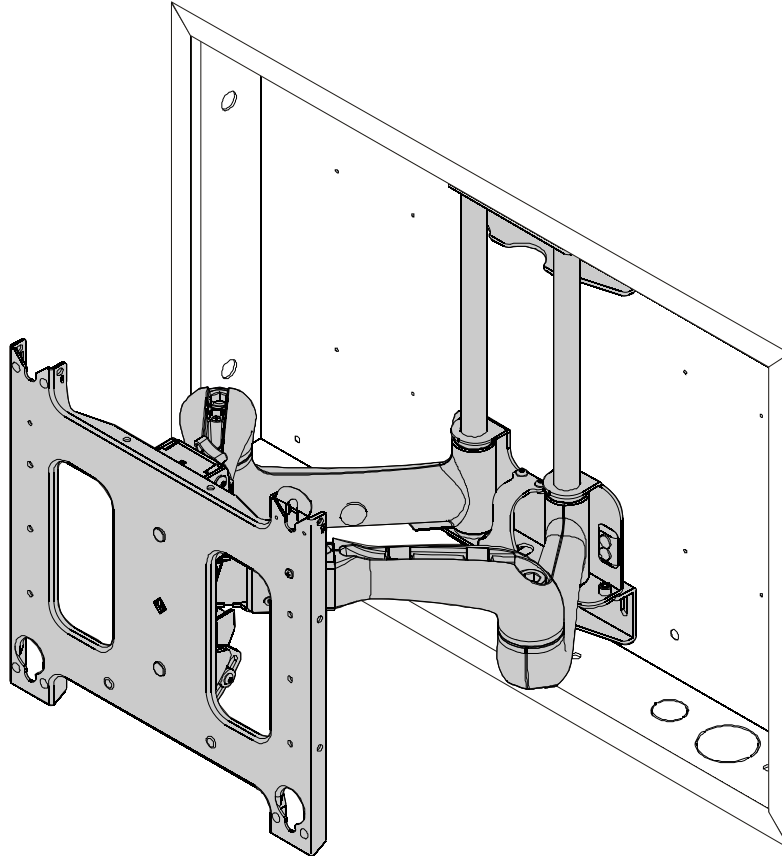


---

# INSTALLATION INSTRUCTIONS

---



---

## Large Flat Panel In-Wall Swing Arm Mount

---

## DISCLAIMER

Milestone AV Technologies, and its affiliated corporations and subsidiaries (collectively, "Milestone"), intend to make this manual accurate and complete. However, Milestone makes no claim that the information contained herein covers all details, conditions or variations, nor does it provide for every possible contingency in connection with the installation or use of this product. The information contained in this document is subject to change without notice or obligation of any kind. Milestone makes no representation of warranty, expressed or implied, regarding the information contained herein. Milestone assumes no responsibility for accuracy, completeness or sufficiency of the information contained in this document.

Chief®, ClickConnect™ and Centris Select™ are registered trademarks of Milestone AV Technologies. All rights reserved.

## DEFINITIONS

**MOUNTING SYSTEM:** A MOUNTING SYSTEM is the primary Chief product to which an accessory and/or component is attached.

**ACCESSORY:** AN ACCESSORY is the secondary Chief product which is attached to a primary Chief product, and may have a component attached or setting on it.

**COMPONENT:** A COMPONENT is an audiovisual item designed to be attached or resting on an accessory or mounting system such as a video camera, CPU, screen, display, projector, etc.



**WARNING:** A WARNING alerts you to the possibility of serious injury or death if you do not follow the instructions.



**CAUTION:** A CAUTION alerts you to the possibility of damage or destruction of equipment if you do not follow the corresponding instructions.



## IMPORTANT SAFETY INSTRUCTIONS



**WARNING:** Failure to read, thoroughly understand, and follow all instructions can result in serious personal injury, damage to equipment, or voiding of factory warranty! It is the installer's responsibility to make sure all mounting systems are properly assembled and installed using the instructions provided.



**WARNING:** Failure to provide adequate structural strength for this mounting system can result in serious personal injury or damage to equipment! It is the installer's responsibility to make sure the structure to which this mounting system is attached can support five times the combined weight of all equipment. Reinforce the structure as required before installing the mounting system. The wall to which the mount is being attached may have a maximum drywall thickness of 5/8" (1.6cm).



**WARNING:** Exceeding the weight capacity can result in serious personal injury or damage to equipment! It is the installer's responsibility to make sure the combined weight of all components located between the PNRIW up to (and including) the display does not exceed 200 lbs (90.72 kg).



**WARNING:** Use this mounting system only for its intended use as described in these instructions. Do not use attachments not recommended by the manufacturer.



**WARNING:** Never operate this mounting system if it is damaged. Return the mounting system to a service center for examination and repair.



**WARNING:** Do not use this product outdoors.

**IMPORTANT ! :** The PNRIW mounts are designed to be mounted within a Chief Listed PAC501 in-wall enclosure (not included).

**NOTE:** The PNRIW Series includes:

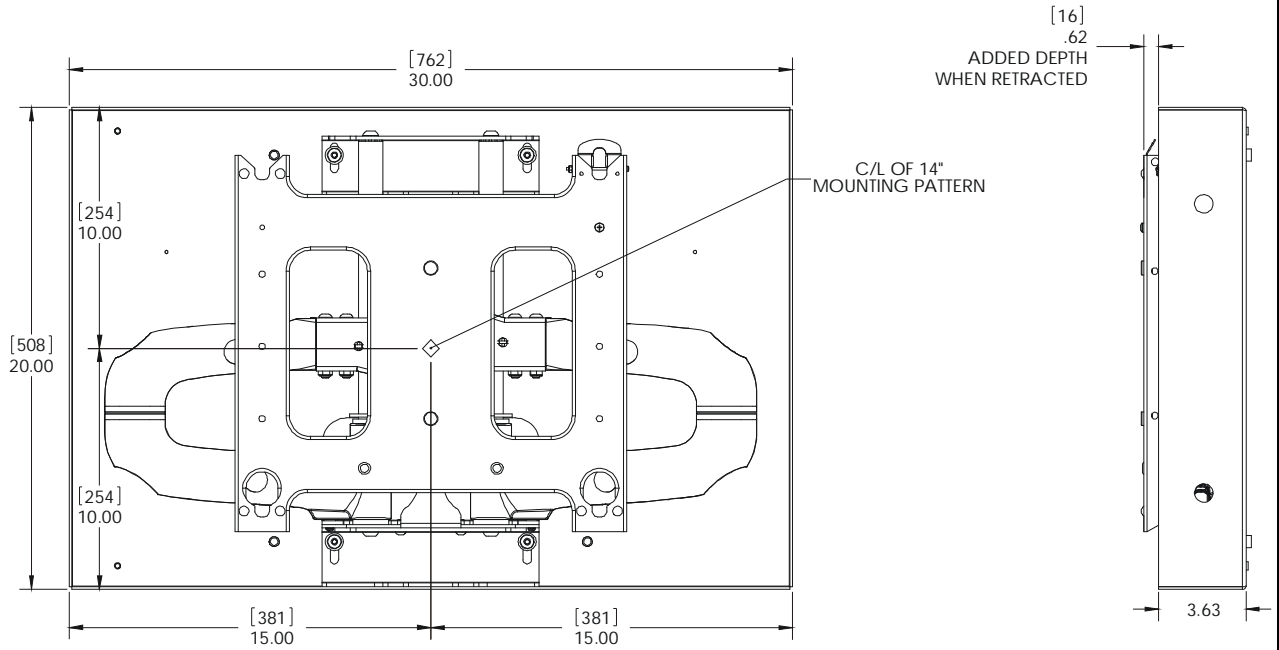
- Accessory Model PNRIW2000 (to be used with Listed Chief accessory PSBU interface bracket - not included).
- Model PNRIWU which includes the Listed Chief accessory PSBU interface bracket.

**-SAVE THESE INSTRUCTIONS**

**DIMENSIONS**

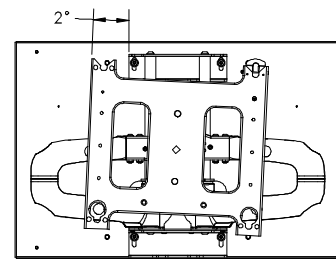
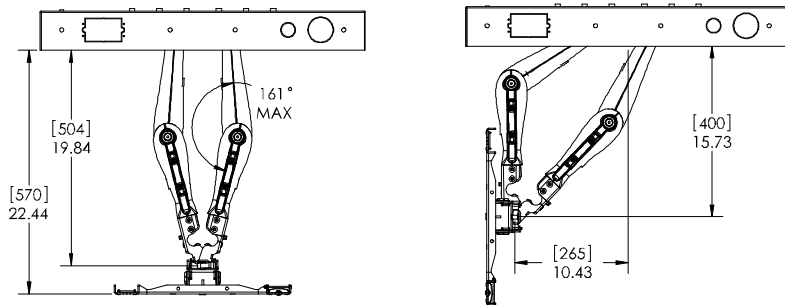
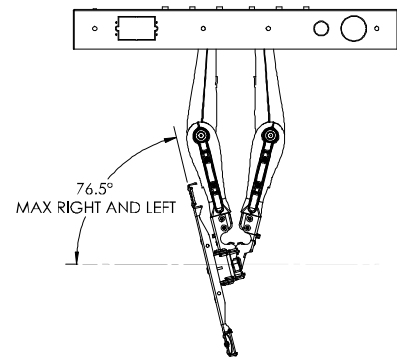
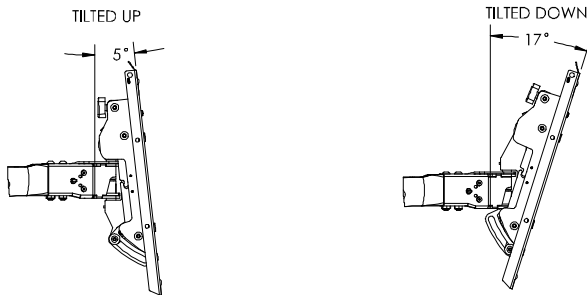
NOTE: PSBU INTERFACE BRACKET NOT SHOWN. THE PSBU INTERFACE BRACKET WILL ADD 1" IN DEPTH AND MAY AFFECT LOCATION OF THE DISPLAY ON THE MOUNT.

PNRIW SHOWN IN PAC-501 WHICH MUST BE ORDERED SEPARATELY



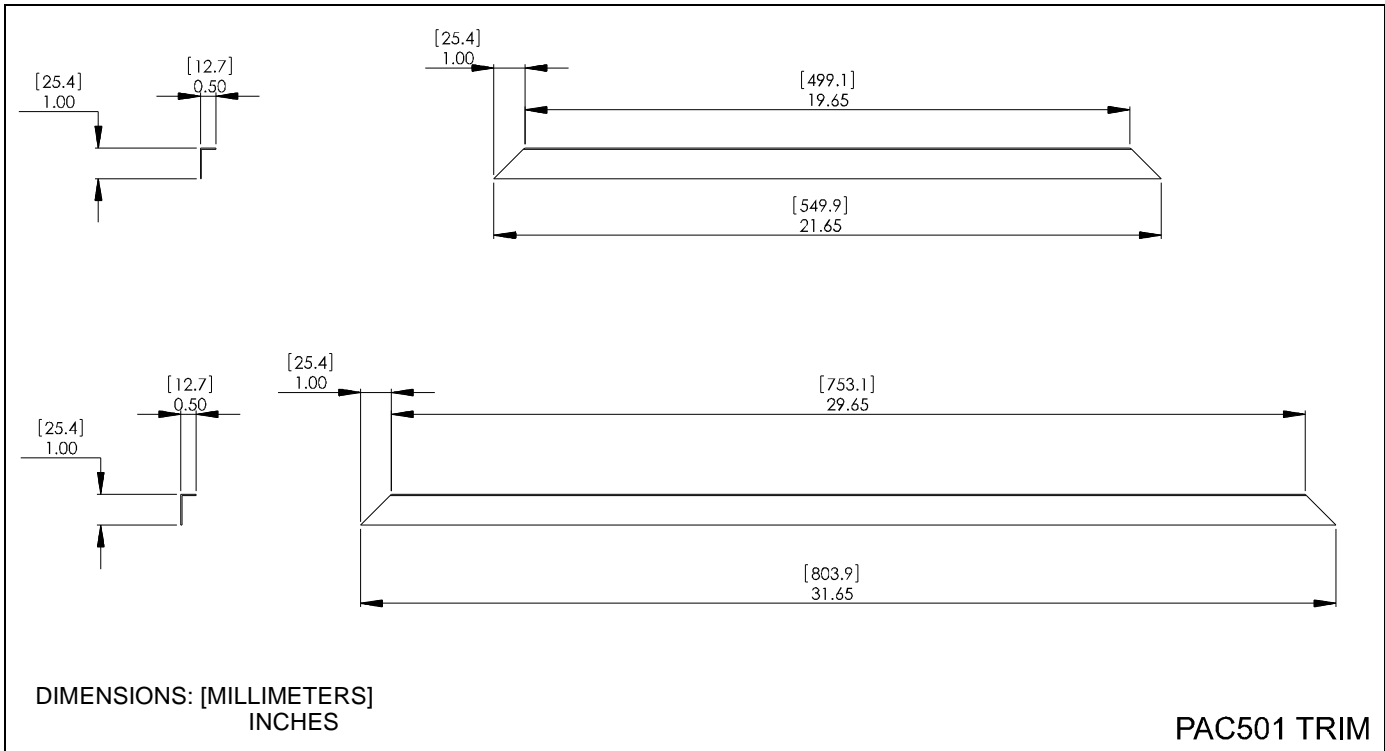
DIMENSIONS: [MILLIMETERS]  
INCHES

TILT ADJUSTMENT



DIMENSIONS: [MILLIMETERS]  
INCHES

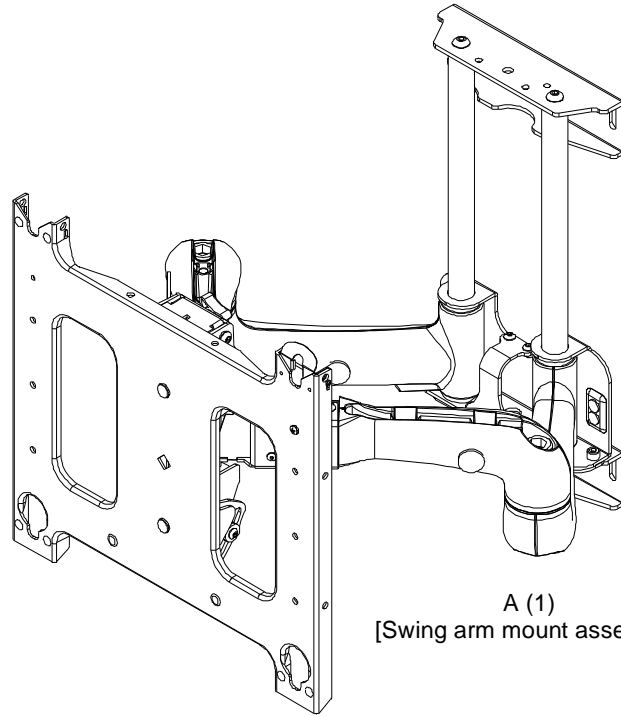
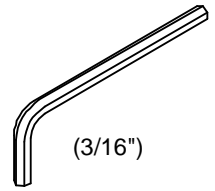
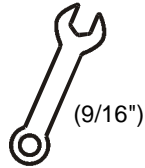
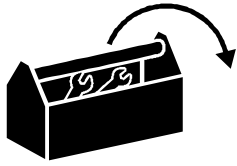
**DIMENSIONS (CONT'D)**



**LEGEND**

	<b>Tighten Fastener</b>		<b>Hex-Head Wrench</b>
	Apretar elemento de fijación		Llave de cabeza hexagonal
	Befestigungsteil festziehen		Sechskantschlüssel
	Apertar fixador		Chave de cabeça sextavada
	Serrare il fissaggio		Chiave esagonale
	Bevestiging vastdraaien		Zeskantsleutel
Serrez les fixations	Clé à tête hexagonale		
	<b>Loosen Fastener</b>		<b>Phillips Screwdriver</b>
	Aflojar elemento de fijación		Destornillador Phillips
	Befestigungsteil lösen		Kreuzschlitzschraubendreher
	Desapertar fixador		Chave de fendas Phillips
	Allentare il fissaggio		Cacciavite a stella
	Bevestiging losdraaien		Kruiskopschroevendraaier
Desserrez les fixations	Tournevis à pointe cruciforme		

**TOOLS REQUIRED FOR INSTALLATION AND PARTS**



A (1)  
[Swing arm mount assembly]

B (4)  
[Trim - 2 short (SIDES)  
- 2 long]

C (4)  
5/16-18 x 5/8"

D (4)  
5/16"

E (4)  
5/16"

F (16)  
[Tape square]

G (4)  
[Cable tie mounts]

H (4)  
[9/16" Screw cover]

J (1)  
3/16"

K (1)  
[Adjustment insert]

L (1)  
[Adjustment wrench]

M (12)  
[5 1/2" Cable tie]

N (1)  
[PSBU interface bracket  
(included with PNRIWU only)]

P (2)  
[Cable clip]

## INSTALLATION

The following procedure assumes that a Chief Listed Model PAC501 In-Wall accessory has previously been installed using the installation instructions and hardware provided with the PAC501. If a PAC501 is not installed or there are any other questions regarding the installation of this accessory, immediately contact a Chief Customer Service representative.



**WARNING:** IMPROPER INSTALLATION CAN LEAD TO MOUNT FALLING CAUSING SEVERE PERSONAL INJURY OR DAMAGE TO EQUIPMENT! DO NOT deviate from installation instructions provided. DO NOT substitute hardware.

1. Align mounting holes in swing arm (A) UPPER and LOWER mounting brackets with four mounting holes in PAC501 (not included). (See Figure 1)

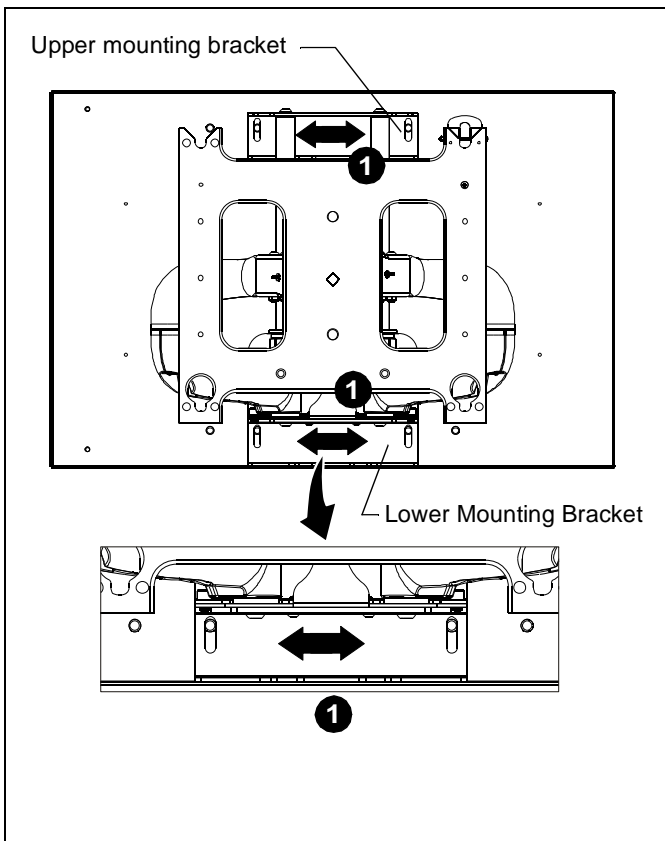


Figure 1

2. Secure swing arm to PAC501 using four 5/16-18 x 5/8" button head cap screws (C), four 5/16" lock washers (D) and four 5/16" flat washers (E). (See Figure 2)

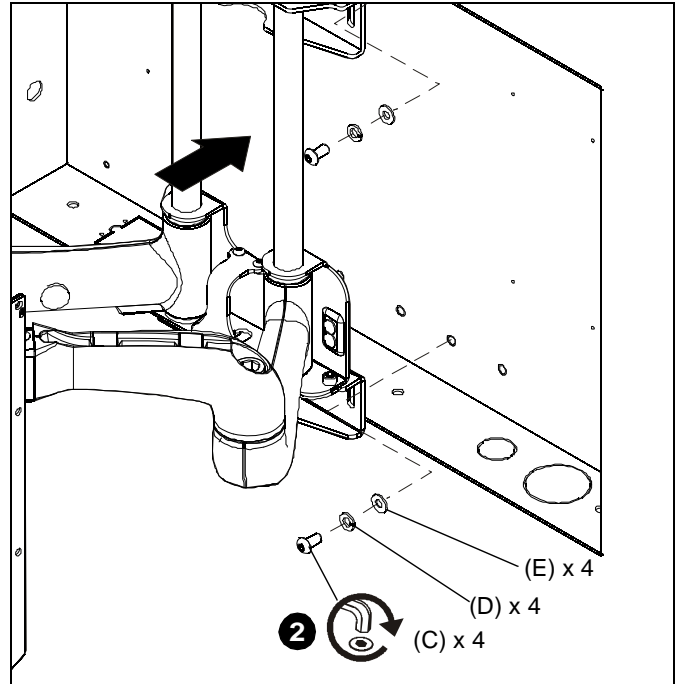


Figure 2

### Trim Installation (Optional)

1. Remove paper covering adhesive and affix three tape squares (F) to inside lower flange of each trim piece (B). (See Figure 3)
2. Orient trim pieces (B).
3. Remove paper covering adhesive back from tape squares (F) on trim and press trim (B) against inner wall of box. (See Figure 3)

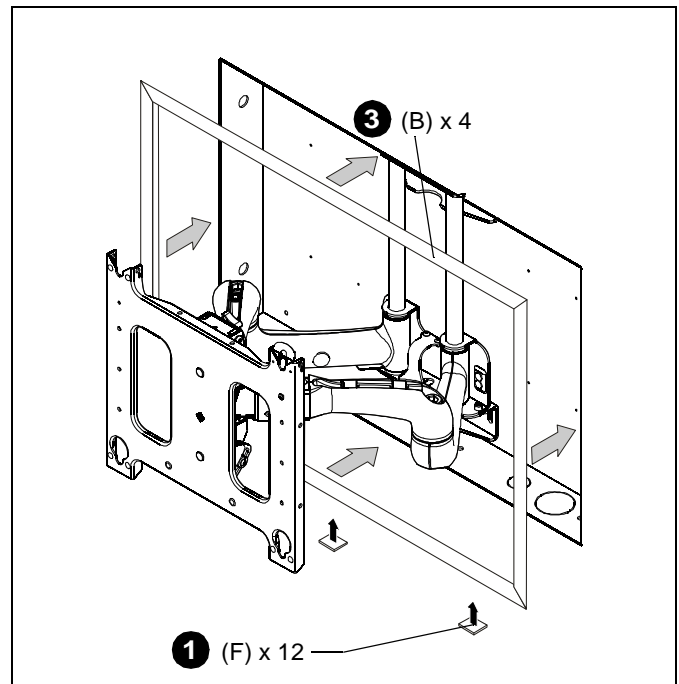


Figure 3

**Display Installation**



**WARNING:** IMPROPER INSTALLATION CAN LEAD TO MOUNT FALLING CAUSING SEVERE PERSONAL INJURY OR DAMAGE TO EQUIPMENT! DO NOT install display in a manner other than that specified by the manufacturer. Certain displays may require the use of an interface bracket for proper installation of the display. If an interface bracket is not installed or there are any other questions regarding the installation of the display, immediately contact a Chief Customer Service representative.



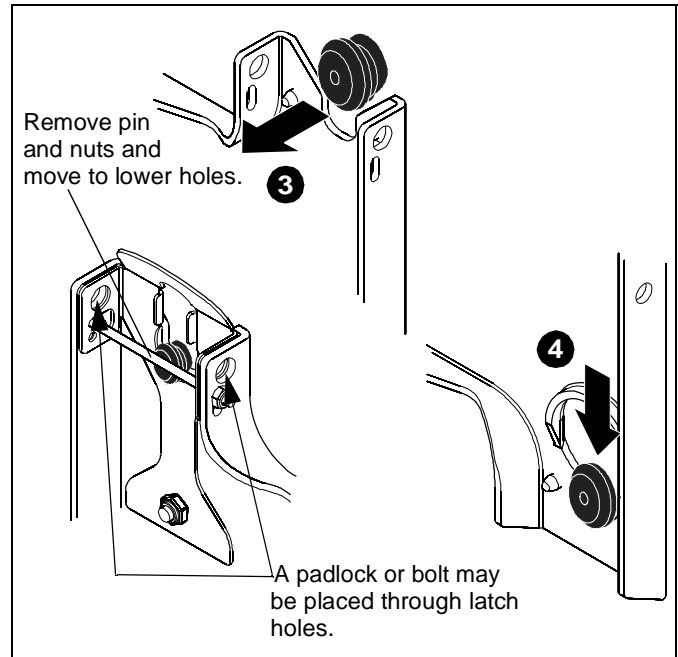
**WARNING:** IMPROPER INSTALLATION CAN LEAD TO MOUNT FALLING CAUSING SEVERE PERSONAL INJURY OR DAMAGE TO EQUIPMENT. Displays can weigh in excess of 40 lbs (18.1kg). ALWAYS use two people and proper lifting techniques when installing display.



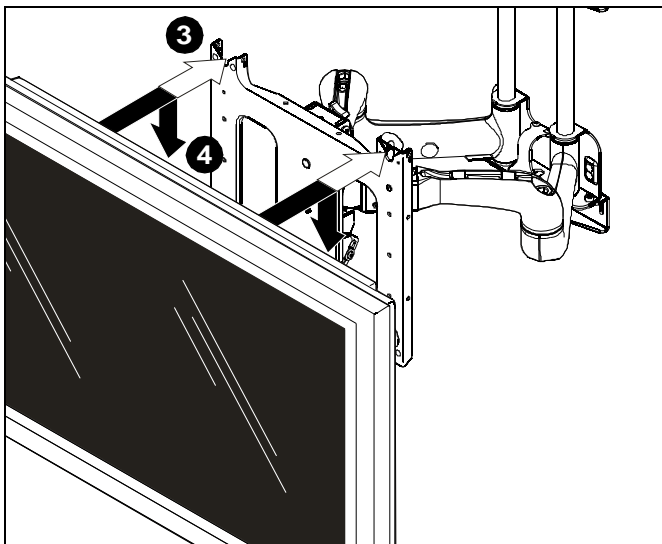
**WARNING:** IMPROPER INSTALLATION CAN LEAD TO MOUNT FALLING CAUSING SEVERE PERSONAL INJURY OR DAMAGE TO EQUIPMENT. Make sure mounting buttons on display are properly seated in mounting holes in faceplate.

1. Install PSBU interface bracket (N - included with PNRIWU only) to display using hardware and installation instructions included with PSBU bracket.
2. Move mount faceplate to extended position by grasping faceplate and pulling outward away from wall. Maximum extension is 22" (558.8mm). (See Figure 4)
3. While supporting both sides of display, align four mounting buttons on display or interface bracket with four mounting holes in faceplate. (See Figure 4)
4. Lower display into place listening for audible "click" to ensure recessed area of mounting buttons are properly seated in lower area of mounting holes and ClickConnect mechanism engages. (See Figure 4) and (See Figure 5)

**NOTE:** Holes are provided in the faceplate for use with a padlock or similar locking device, if desired. In addition, the pin and nut may be removed from the upper holes and moved to the lower holes for use as a more permanent locking device. (See Figure 5)



**Figure 5**



**Figure 4**

### Cable Management

1. Attach all cables to display.
2. If necessary, use cable tie mounts (G) and cable ties (M) to secure cables within PAC501.

**⚠ WARNING:** IMPROPER INSTALLATION CAN LEAD TO SERIOUS PERSONAL INJURY OR DAMAGE TO EQUIPMENT! Make sure cables do not run through pinch points.

3. Thread cable ties (M) under cable clamps in mount arms. (See Figure 6)
4. Route power/audio/video cables through the cable channel in top arm (See Figure 6), allowing sufficient slack in cables for left/right movement of display and swing arm and also swing arm extension and retraction.
5. Secure cables to top arm using two cable ties (M).
6. Repeat steps 3 through 5 for lower arm.

**⚠ WARNING:** IMPROPER INSTALLATION CAN LEAD TO SERIOUS PERSONAL INJURY OR DAMAGE TO EQUIPMENT! DO NOT route cables through holes in faceplate.

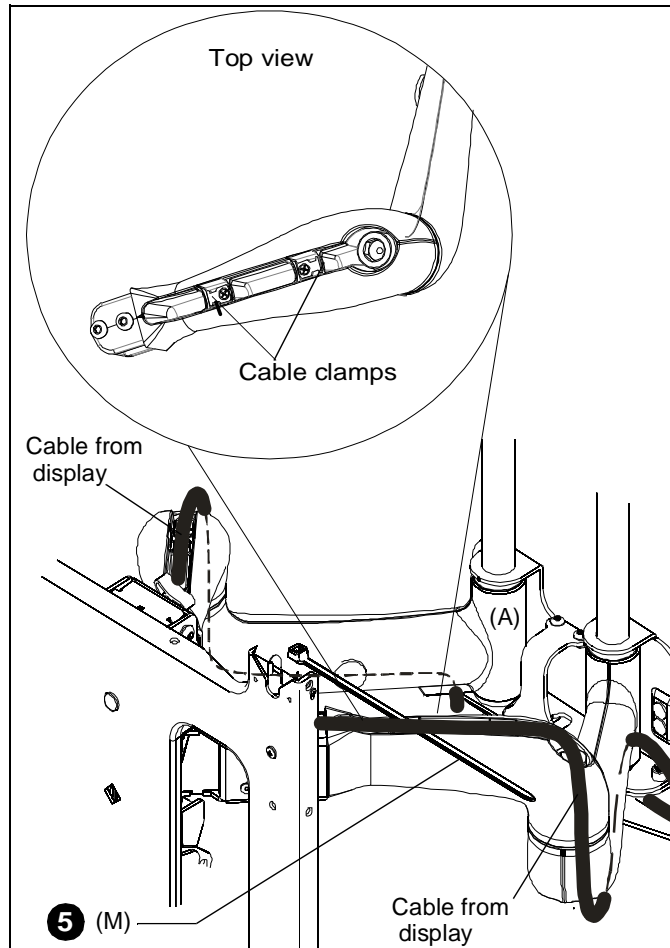


Figure 6

7. (Optional) Install two cable clips (P) into holes on connector bracket. (See Figure 7)

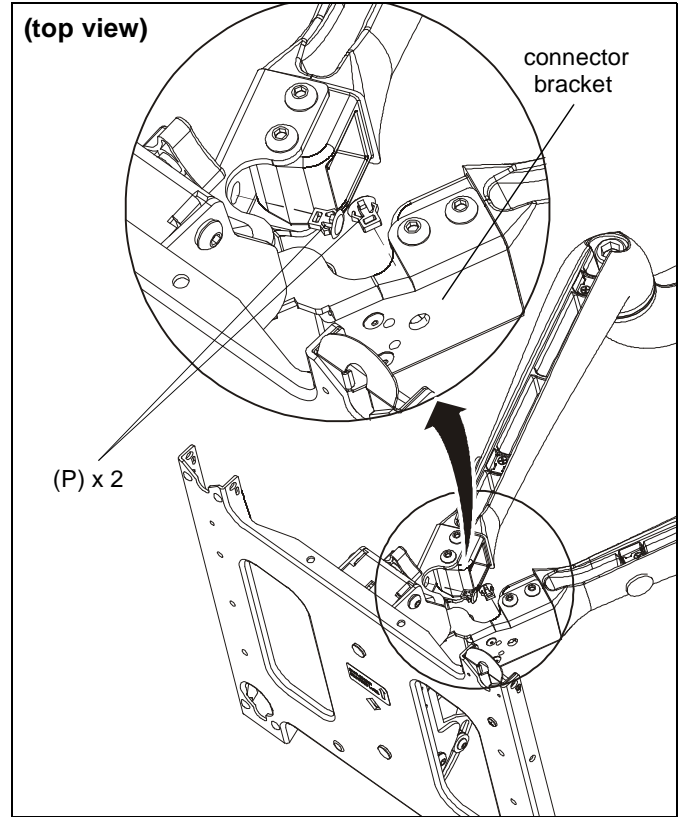


Figure 7



## Tension Adjustments

### Pitch Tension Adjustment

1. With display mounted, check for desired Pitch tension.
2. If required, adjust the Centris Select™ knob right or left until desired pitch tension is obtained. (See Figure 8)
3. To lock the mount at the desired position, tighten the pitch locking screw. (See Figure 9)

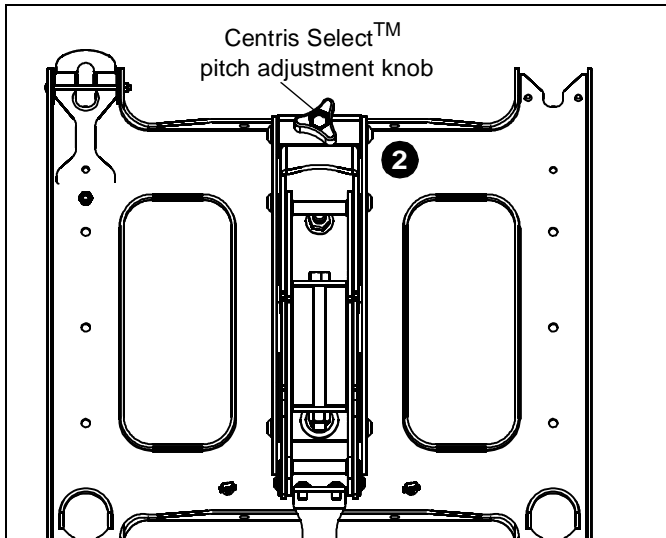


Figure 8

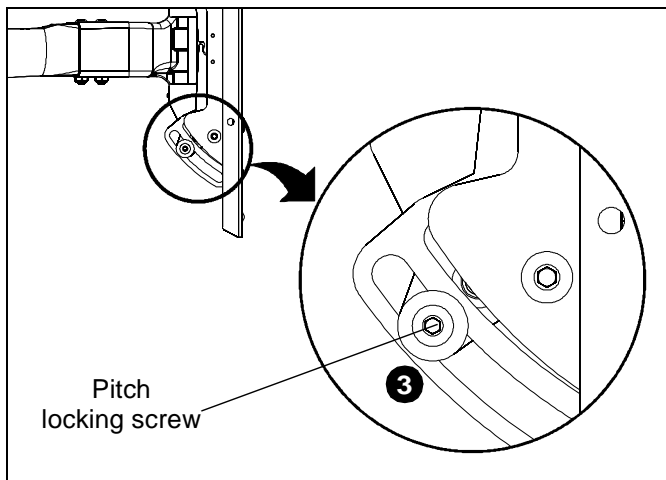


Figure 9

### Roll Tension Adjustment



**CAUTION:** IMPROPER INSTALLATION CAN LEAD TO SERIOUS PERSONAL INJURY OR DAMAGE TO EQUIPMENT! Over tightening roll tension adjustment will cause excessive wear and may distort adjustment components.

1. Using a 9/16" wrench (not provided), slightly tighten or loosen Roll tension adjustment nut. (See Figure 10)
2. Mount the display and check for desired roll tension.
3. Repeat Steps 1 and 2 until desired Roll tension is obtained.

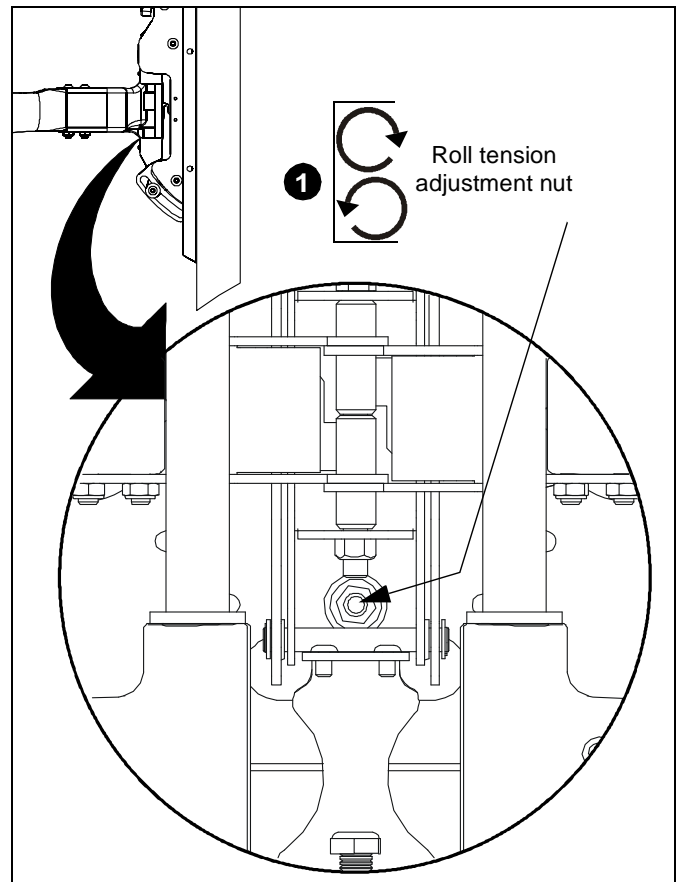


Figure 10

### Swivel Tension Adjustment



**CAUTION:** DO NOT OVER TIGHTEN SWIVEL ADJUSTMENT NUT. Over tightening swivel adjustment nut will cause excessive wear and may distort adjustment components.

1. Using a 9/16" wrench (not provided), slightly tighten or loosen swivel tension adjustment nut. (See Figure )
2. Repeat until desired tilt tension is obtained.

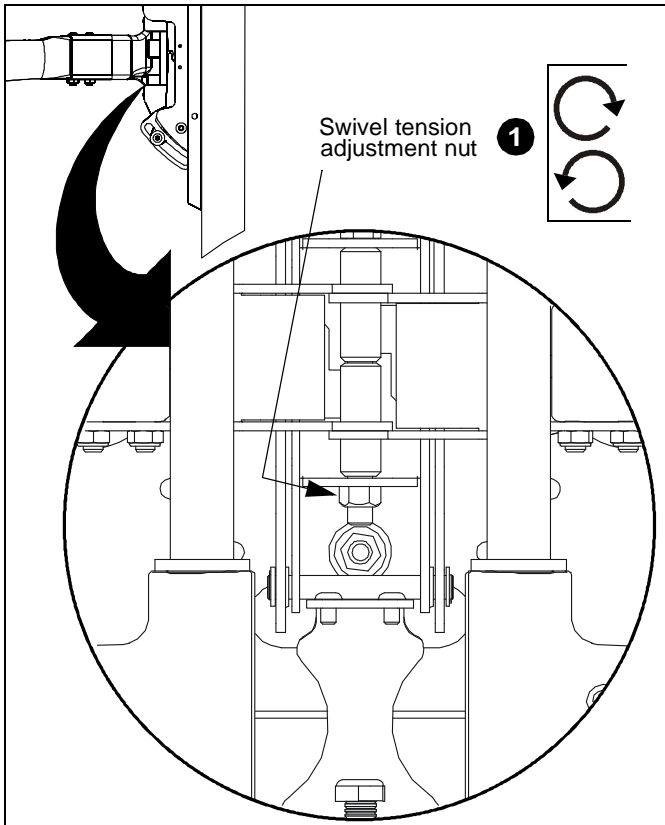


Figure 11

### Swing Arm Tension Adjustment

Swing arm tension is pre-set at the factory and is adjusted to accommodate displays with weights near the top of the mount's capacity.

If smaller displays are used it may be difficult to reposition the display after mounting.

**NOTE:** The display must be mounted prior to adjusting swing arm tension.

To adjust swing arm tension to compensate for smaller display:

1. Place adjustment insert (K) into tension adjustment screw located at swing arm pivot point. (See Figure 12)

**NOTE:** The display may need to be repositioned in order to gain access to the tension adjustment screw(s).

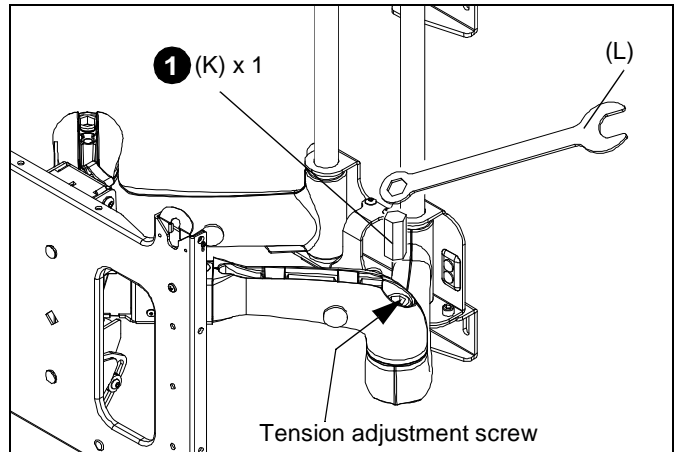


Figure 12

- Use the adjustment wrench (L) provided with the mount, and turn adjustment insert clockwise to increase swing arm tension (See Figure 13) or counterclockwise to reduce swing arm tension. (See Figure 13)

**NOTE:** Small adjustments of 1/8 turn or less are typically all that is required to achieve desired tension.

- Check swing arm tension. If desired tension is present, tension adjustment is complete. If additional tension adjustment is required, repeat steps 1 through 2 until desired tension is achieved.

**NOTE:** If changing from a smaller display to a larger display, it may be necessary to increase swing arm tension.

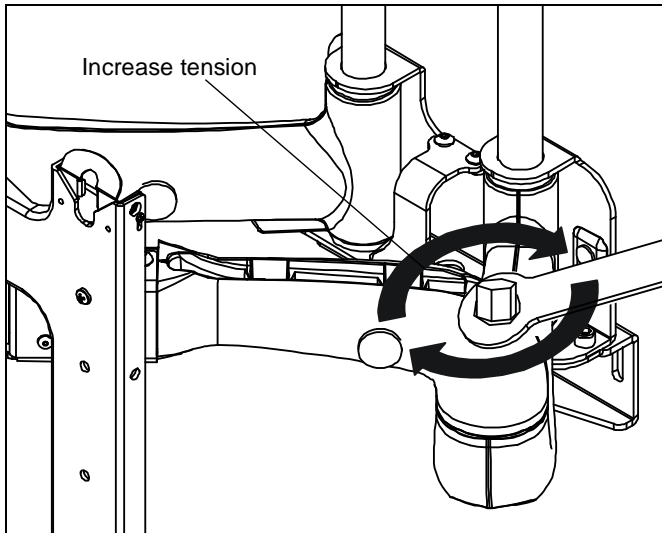


Figure 13

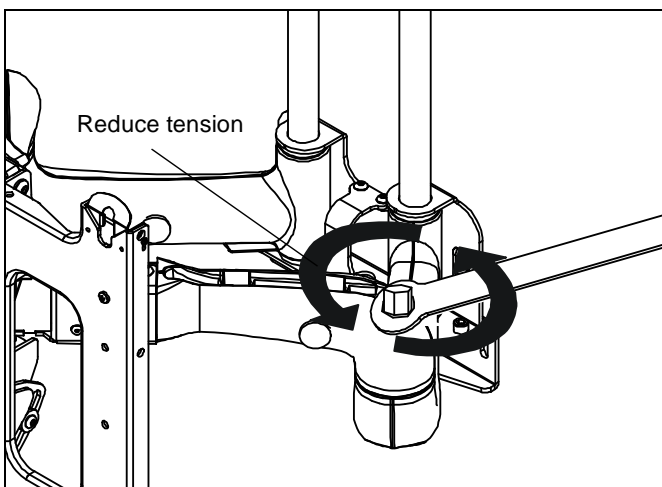


Figure 14

### Removing Display from Mount

- Remove bolt or padlock from faceplate (if used).

**NOTE:** The pin may have been used as a more permanent locking device. If so, remove nut and pin and move from the lower holes to the upper holes.

- Pull back on flag on upper mounting hole and press pin down into "Open" position. (See Figure 14)



**WARNING:** DISPLAY MAY WEIGH IN EXCESS OF 40 LBS! Always use two people and proper lifting techniques when installing or positioning display on mount.

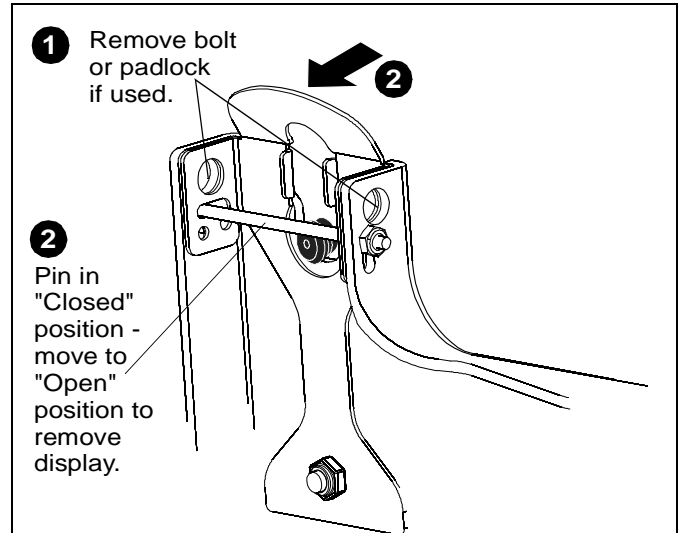


Figure 15

- Carefully lift display from mount.
- Lift up on pin and place flag back against faceplate to return it to "Closed" position. (See Figure 16)

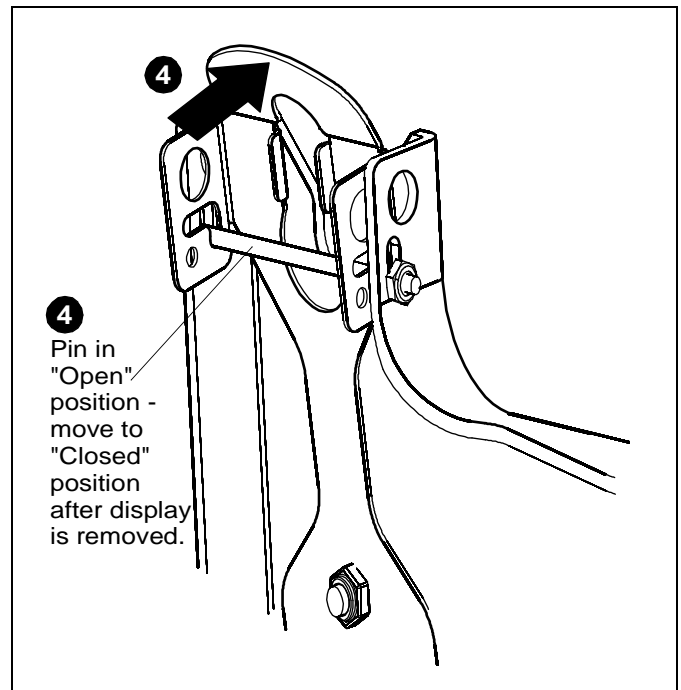


Figure 16



Our Mounts. **Your Vision.**

Chief, a products division of  
Milestone AV Technologies

8800-002619 Rev01  
©2016 Milestone AV Technologies  
[www.milestone.com](http://www.milestone.com)  
07/16

<b>USA/International</b>	<b>A</b> 6436 City West Parkway, Eden Prairie, MN 55344 <b>P</b> 800.582.6480 / 952.225.6000 <b>F</b> 877.894.6918 / 952.894.6918
<b>Europe</b>	<b>A</b> Franklinstraat 14, 6003 DK Weert, Netherlands <b>P</b> +31 (0) 495 580 852 <b>F</b> +31 (0) 495 580 845
<b>Asia Pacific</b>	<b>A</b> Office No. 918 on 9/F, Shatin Galleria 18-24 Shan Mei Street Fotan, Shatin, Hong Kong <b>P</b> 852 2145 4099 <b>F</b> 852 2145 4477

