

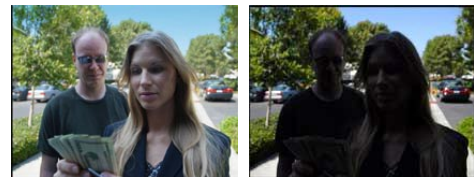
### 690 HTVL- E Resolution WDR Mini Box Camera



Lens not included

PIXIM  
Sensor

CCD  
Sensor



The CCC3525NWD is a miniature high-resolution color camera with a 1/3" PIXIM Wide Dynamic Range CMY sensor. The PIXIM Seawolf chip technology featured in this camera ensures high resolution images in extremely bright backlight conditions. The high quality image as well as the 2.8" size makes this camera the perfect choice for applications such as drive-thru lanes and ATM machines.

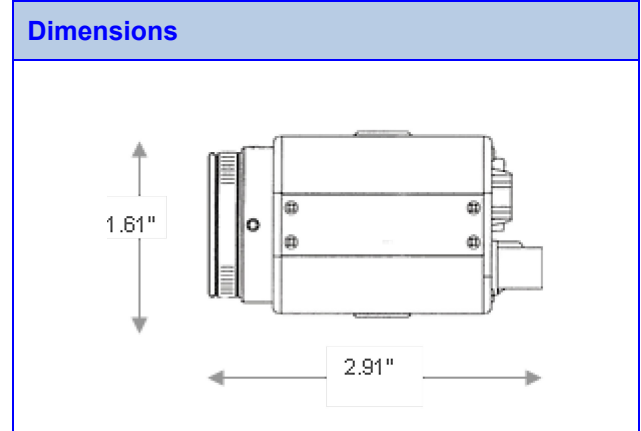
- 690 HTVL-E resolution
- Image Sensor: 1/3" PIXIM WDR Seawolf technology
- Day/Night function with color signal control
- Back Light Compensation (BLC)
- Wide Dynamic Range (WDR)
- *Lens not included*
- *Use Costar Video's recommended 2.5-6 mm Super Wide DC Auto Iris lens for wide angle views*
- Power requirements: DC12V or AC24V



Model	Lens (mm)	Resolution
CCC3525NWD	2.5-6 mm (recommended)	690 HTVL-E

Power	
Power Source	DC12V or AC24V 50/60Hz
Power Consumption	2.5 Watt Max
Sensor and General Information	
Image Sensor	1/3" PIXIM WDR CMY Sensor
Lens	Not included 2.5-6mm recommended
Minimum Illumination	0.2 Lux @ F1.2, 50IRE 0.01 Lux @ F1.2, 32X
Image Pixels	768 (H) x 540 (V)
Horizontal Resolution	690 HTVL-E
Digital Zoom	X1~X12 (With Pan/Tilt)
Scanning Area	5.04 (H) x 3.78 (V)
Scanning Frequency	15.743KHz x 59.94KHz
Shutter Speed	X2 / X4 / X8 / X16 / X32
Gamma	0.25 ~ 1.0 Variable
S/N Ratio	48dB (AGC Off)
Video Output	Composite Video 1.0Vp-p/75Ω
Camera Functions	
Image Flip	Horizontal or Vertical
AGC Range	Off / Low / Medium / High
AWB	Yes (ATW / Manual) 2,400K ~ 10,000K
BLC	Yes
DNR	Yes
Privacy	Yes (4 Areas)
Slow Shutter	Yes (Auto / Manual) X2 / X4 / X8 / X16 / X32

General Operating	
Operating Temperature	-4°F to 122°F (-20°C to 50°C)
Dimension (w x h x d)	1.6" x 1.6" x 2.8" 41mm x 41mm x 73mm
Weight	0.28 lbs. (130g)



Accessory	Description
CLS256D	2.5-6mm F1.2-360 1/3" DC Auto Iris lens
CLS2812D	2.8-12mm F1.4-360 1/3" Direct Drive lens
CLS1431D	1.4-3.1mm F1.4 1/3" DC Iris lens
CHG2000	Wall / Ceiling Mount 3-Axis

Kit	Description
CCC3520ATMKIT1	This ATM Kit includes Costar Video's CCC3525NWD miniature box camera, a 1.4-3mm lens and a CP24-ATM power supply and IEC cable to connect directly to the power supply within the ATM.
CCC3520ATM	This ATM Kit includes Costar Video's CCC3525NWD miniature box camera and a 2.8-12mm lens.
CCC3520ATMS	This ATM Kit includes Costar Video's CCC3525NWD miniature box camera, a 2.5-6mm lens, and a right angle BNC connector.
CCC3520WKIT	This ATM Kit includes Costar Video's CCC3525NWD miniature box camera, a 2.8-12mm lens, and a wall mount.
CCC3560WKIT	This ATM Kit includes Costar Video's CCC3525NWD miniature box camera, a 6-60mm lens, and a wall mount.

*Costar*  
VIDEO SYSTEMS

101 Wrangler, Suite 201 • Coppell, Texas 75019 • Phone: 469-635-6800 • Fax: 469-635-6822 • Toll Free: 1-888-694-STAR (7827)

[www.costarvideo.com](http://www.costarvideo.com)

*Specifications and design are subject to change without notice. Conversions: 1" = 25.4mm Measurement conversions are approximate.*