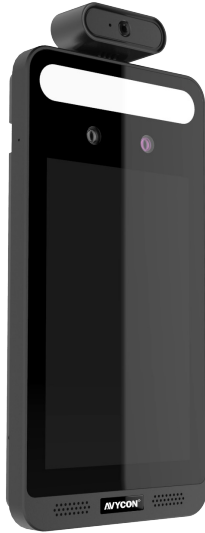


AVT-BT800A-DU

8" LCD TEMPERATURE SCREENING & FACE RECOGNITION ACCESS CONTROL



8" LCD TEMPERATURE SCREENING & FACE RECOGNITION ACCESS CONTROL

8" LCD TEMPERATURE SCREENING & FACE RECOGNITION ACCESS CONTROL WITH SMART FEATURES

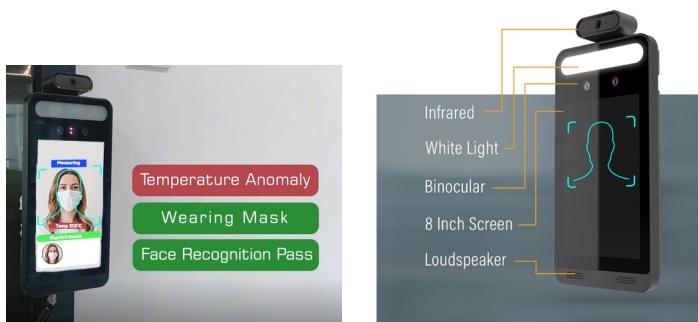
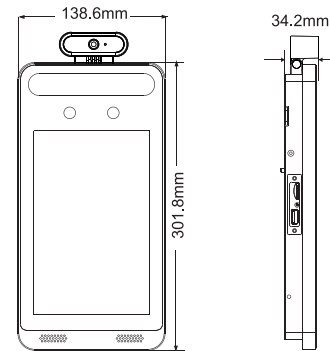
The AVT-BT800A-DU terminal is specially developed for face recognition and temperature measuring applications. This terminal features non-contact temperature measuring, accurate recognition, high efficiency, and great reliability. Based on deep-learning algorithms, it integrates temperature measuring features together with the application for identity authorization and access control. This terminal can be used in a wide variety of scenarios, including general communities, schools, hospitals, scenic areas, hotels, shopping malls, office buildings, and construction sites.

FUNCTIONS

- High accuracy IR body temperature measurement
- Non-contact body temperature measurement
- Highly accurate face recognition using deep learning algorithms
- Real-time face recognition even with a mask on
- Face liveness detection technology distinguishing real faces from fake face spoof attacks
- 20,000 face capacity
- Human-sounding voice prompts and alarms
- Standalone device, ready for networking
- 8 inch LCD screen
- Temperature Measuring Accuracy: $\pm 0.54^{\circ}\text{F}$ ($\pm 0.3^{\circ}\text{C}$)
- Face Recognition Accuracy: 99.7%
- Face Recognition Duration: $\leq 0.5\text{s}$

DIMENSIONS

Unit : (mm)



OPTIONAL ACCESSORIES



AVM-DBPN-BD1
DESKTOP TYPE BRACKET



AVM-SBPN-BD1G
TURNSTILE TYPE BRACKET



AVM-SBPN-BD1
FLOOR STANDING TYPE BRACKET



AVR-HN808P8-FDT
FACIAL & TEMPERATURE DETECTION NVR



SD-32G-WDP (32GB)
SD-64G-WDP (64GB)
SD-128G-WDP (128GB)
SD-256G-WDP (256GB)



AVA-PAB-12VDH2A
POWER SUPPLY
(NOT INCLUDED)

AVT-BT800A-DU

8" LCD TEMPERATURE SCREENING & FACE RECOGNITION ACCESS CONTROL

SPECIFICATIONS

PERFORMANCE	
OS	Embedded Linux
Storage	8Gb DDR3 +16GB EMMC
SCREEN	
Display Screen	8inch LCD screen; resolution: 1280x800; contrast: 500:1
Brightness	500 lux
Control Interface	I2C
TEMPERATURE MEASUREMENT	
Temperature Measuring Range	89.6°F ~ 109.4°F (32°C ~ 43°C)
Accuracy	±0.54°F (±0.3°C)
Measuring Distance	0.3~0.5m
FACE RECOGNITION	
Sensor	1/2.7
Lens	2MP dual-lens, f=3.97mm @ F1.6
Lens Mount	M12
WDR	120db
Height Range of Face Recognition	1.2m-2.2m (the recommended installation height is 1.45m)
Face Recognition Distance	0.3m-2m
Recognition Mode	Face: 1 : N
Recognition Duration	≤ 0.5 s per person
Face Capacity	20,000
Recognition Accuracy	99.7%
SUPPLEMENTARY LIGHT	
Fill-in Light	Soft white light, IR light
White Light Distance	1-3m
SMART LINKAGE	
Screen Wakeup	Yes
Light Adjustment	Yes
Snapshot	Yes
AUDIO	
Two-way Talk	Yes (noise reduction and echo cancellation)
Audio Input	1CH built-in MIC
Audio Output	Built-in speaker
INTERFACE	
Network Interface	10/100Mbps self-adaptive Ethernet port x1
Alarm Input	2CH
Alarm Output	2CH
Wiegand Interface	Wiegand input/output (26/34)
RS485	RS485x1 (half duplex)
Door Lock Output	Relay output, NO/NC(optional), delay setting supported
SD Card Interface	1 micro SD card slot, up to 128G
USB Interface	USB x1
Anti-Tamper Interface	1 button
Exit Button	1
Reset Button	1
GENERAL	
Power	12V @2A
Power Management	Screen sleep, screen protection
Power Consumption	<12W
Weight	Approx. 2.65lbs (1.2kg)
Installation	Wall Mounting, Pole Mounting, Embedded Installation, Desktop
Protection	Surge Protection and Voltage Transient Protection
Certificate	CE, FCC
Environment Protection	Complies with Directive EU RoHS, WEEE(2012/19/EU), directive 94/62/EC and REACH(EC1907/2006)
Working Environment	32°F ~ 104°F (0°C ~ 40°C), <95% (non-condensing)
Dimensions	11.89" x 5.46" x 1.35" (301.8mm x 138.6mm x 34.2mm)

APPLICATIONS



Hospitals



Schools



Hotels and Resorts



Amusement Parks

AVYCON[®]

Copyright © AVYCON. All rights reserved. Specifications and pricing are subject to change without notice.

phone: 949-752-7606

email: info@avycon.com

social: @avycon_aivo

website: avycon.com