

AVC-SMT91FT

1080P HD-TVI COVERT HIDDEN CAMERA (SMOKE DETECTOR CASE)

HD-TVI
CAMERA



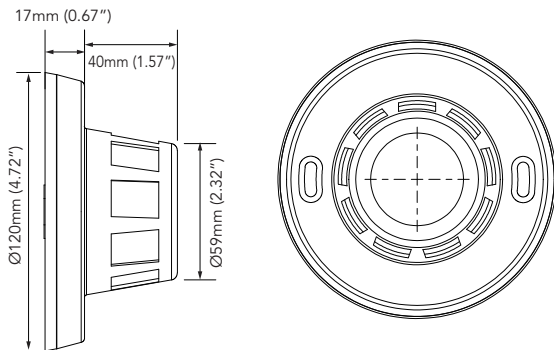
FUNCTIONS

- TVI Solution
- 1/2.8" Megapixels Sensor
- 3.7mm MP Pinhole Fixed Lens (ICR)
- Video Output: HD 1080P @30fps / 25fps
- 2DNR / 3DNR / Smart NR / Sens-up / Digital Zoom Functions etc.
- Support UTC function to remote control OSD menu
- Dual video-out (HD-TVI / Analog)
- DC 12V



DIMENSIONS

Unit : mm (inch)



SPECIFICATIONS

DESCRIPTION	AVC-SMT91FT
Image Sensor	2.1MP CMOS
Sync. System	Internal Sync.
Image Resolution	1920 x 1080
Lens	3.7mm MP Pinhole Fixed Lens (ICR)
Sensing Area	5.42mm x 3.41mm
Day & Night	True
BLC / WDR	Yes / Digital
Ratings	Indoor Only
OSD Menu	Support (Sens-up / 2DNR, 3DNR / Digital zoom etc. functions)
Video Output	TVI / CVBS: 1.0Vp-p 75Ω
S/N Ratio	More than 50dB
Auto Gain Control (AGC)	Off
White Balance	ATW
Shutter Speed	1/25 ~ 1/50000
Working Environment	14°F ~ 122°F (-10°C ~ 50°C) / 10% ~ 90% Relative Humidity
Storage Environment	-4°F ~ 140°F (-20°C ~ 60°C) / 10% ~ 90% Relative Humidity
Power Requirement	DC 12V (±10%) Max. Power consumption less than 3W