

AVC-MT91FT

FIXED LENS MINIATURE CAMERA

HD-TVI
CAMERA



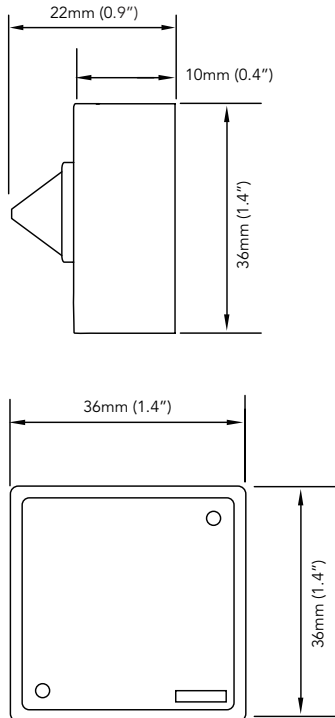
FUNCTIONS

- TVI Solution
- 1/2.8" Megapixel Sensor
- 3.7mm MP Pinhole Lens (ICR)
- Video Output: HD 1080P @ 30fps / 25fps
- Support UTC Function to Remote Control OSD Menu
- Dual Video-Out (HD-TVI / Analog)
- DC 12V



DIMENSIONS

Unit : mm (inch)



SPECIFICATIONS

DESCRIPTION	AVC-MT91FT
Image Sensor	1/2.8" Megapixel Sensor
Image Resolution	1920 x 1080
Scanning System	2.1 Megapixels
Video Output	1 HD-TVI Output / 1.0Vp-p 75Ω
S/N Ratio	More than 50dB
Auto Gain Control (AGC)	Off
Lens	3.7mm MP Pinhole Lens (ICR)
Electronic Shutter	1/25 ~ 1/50000s
Backlight Compensation (BLC)	Yes
White Balance	ATW
Day & Night	True
Privacy Masking	Off
DNR	Auto
BLC	Yes
Sens-up	N/A
Motion Detection	N/A
WDR	True
IR LED	N/A
Input Voltage	DC 12V (±10%)
Power Consumption	80mA (Max.)
Operating Environment	-4°F ~ 140°F (-20°C ~ 60°C) / 10% ~ 90% Relative Humidity
Storage Environment	-4°F ~ 140°F (-20°C ~ 60°C) / 10% ~ 90% Relative Humidity