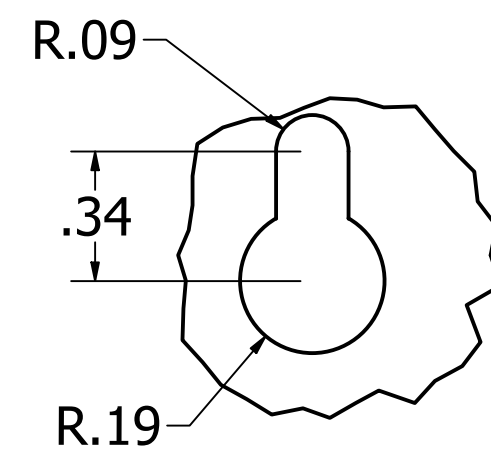
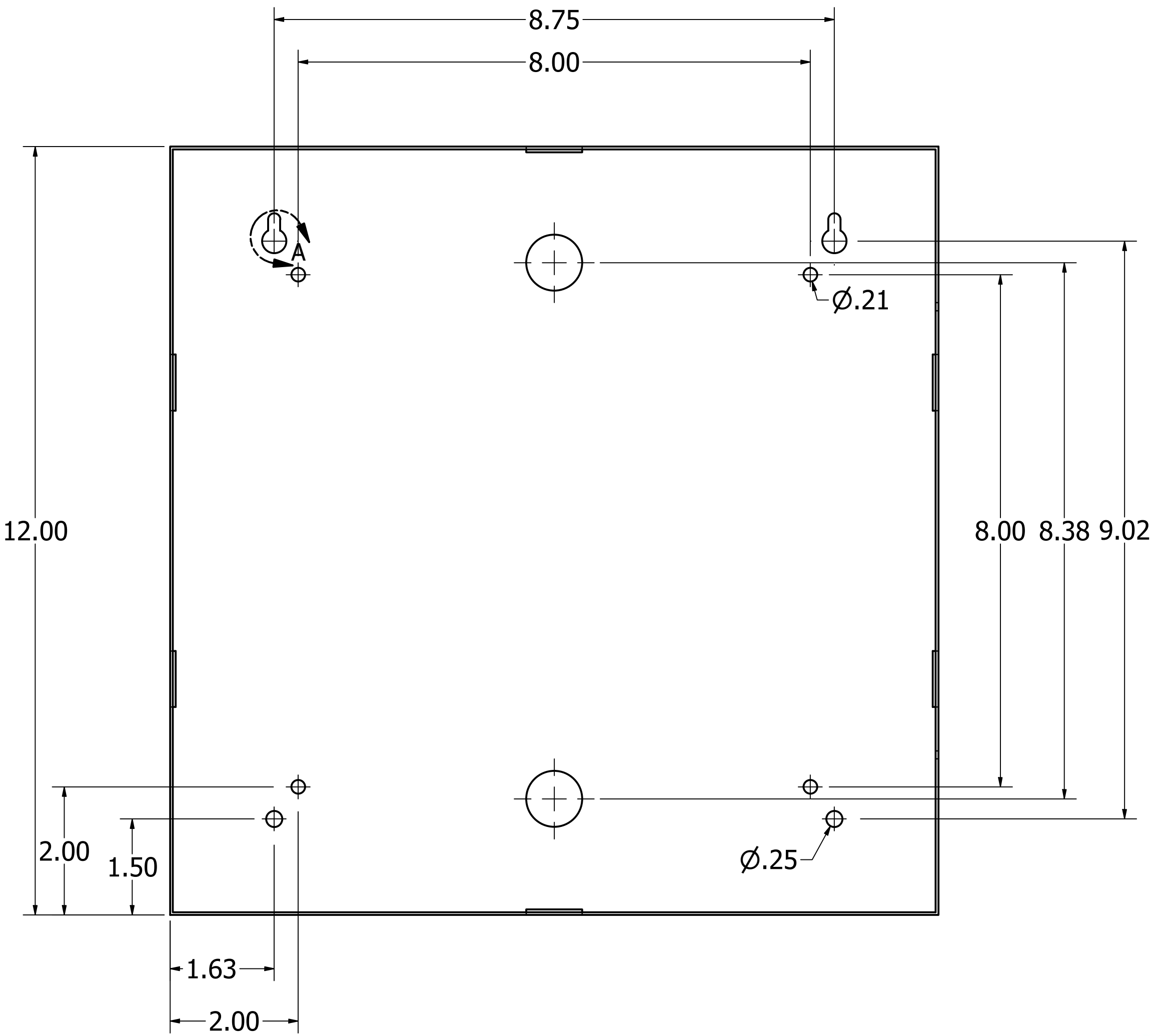
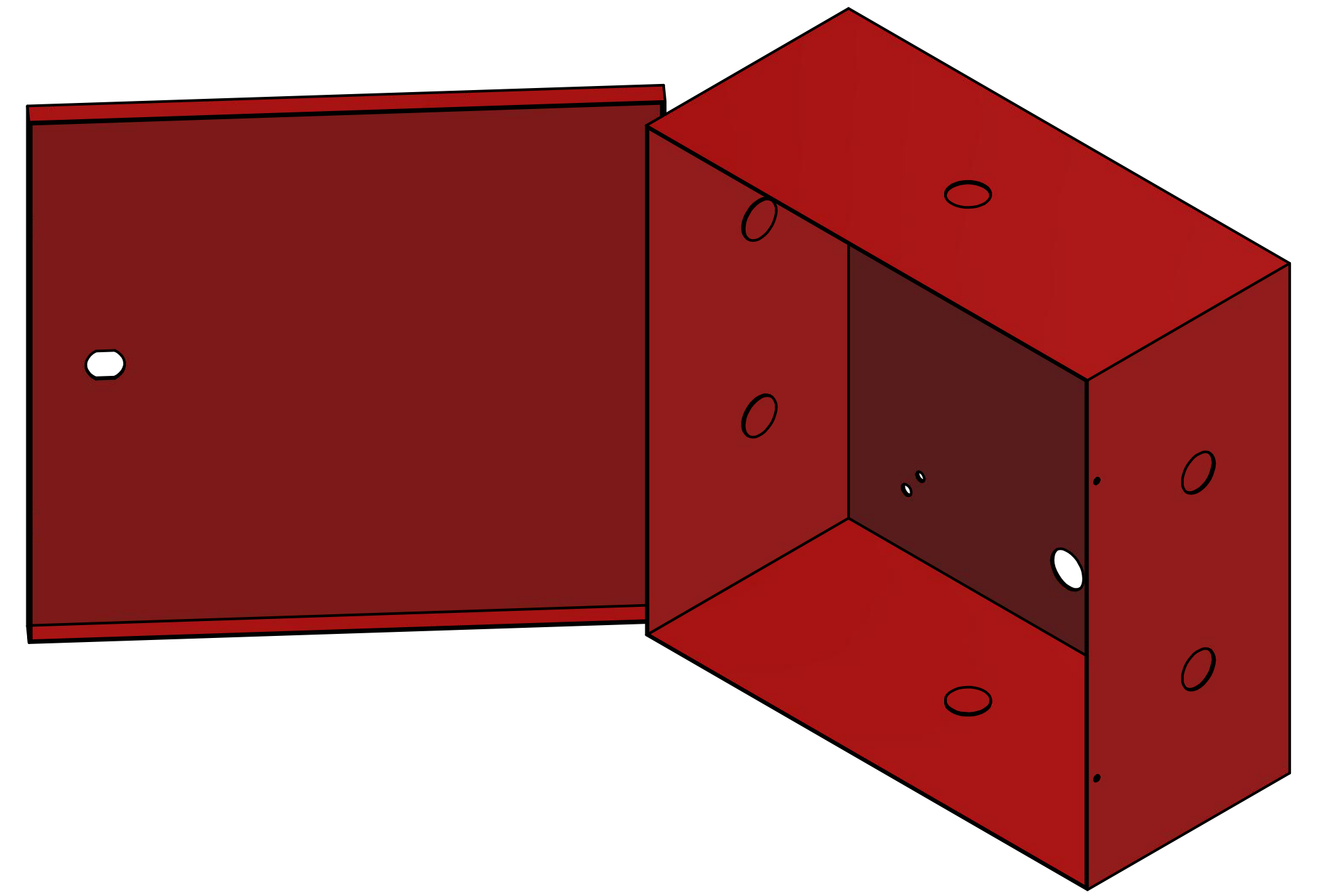


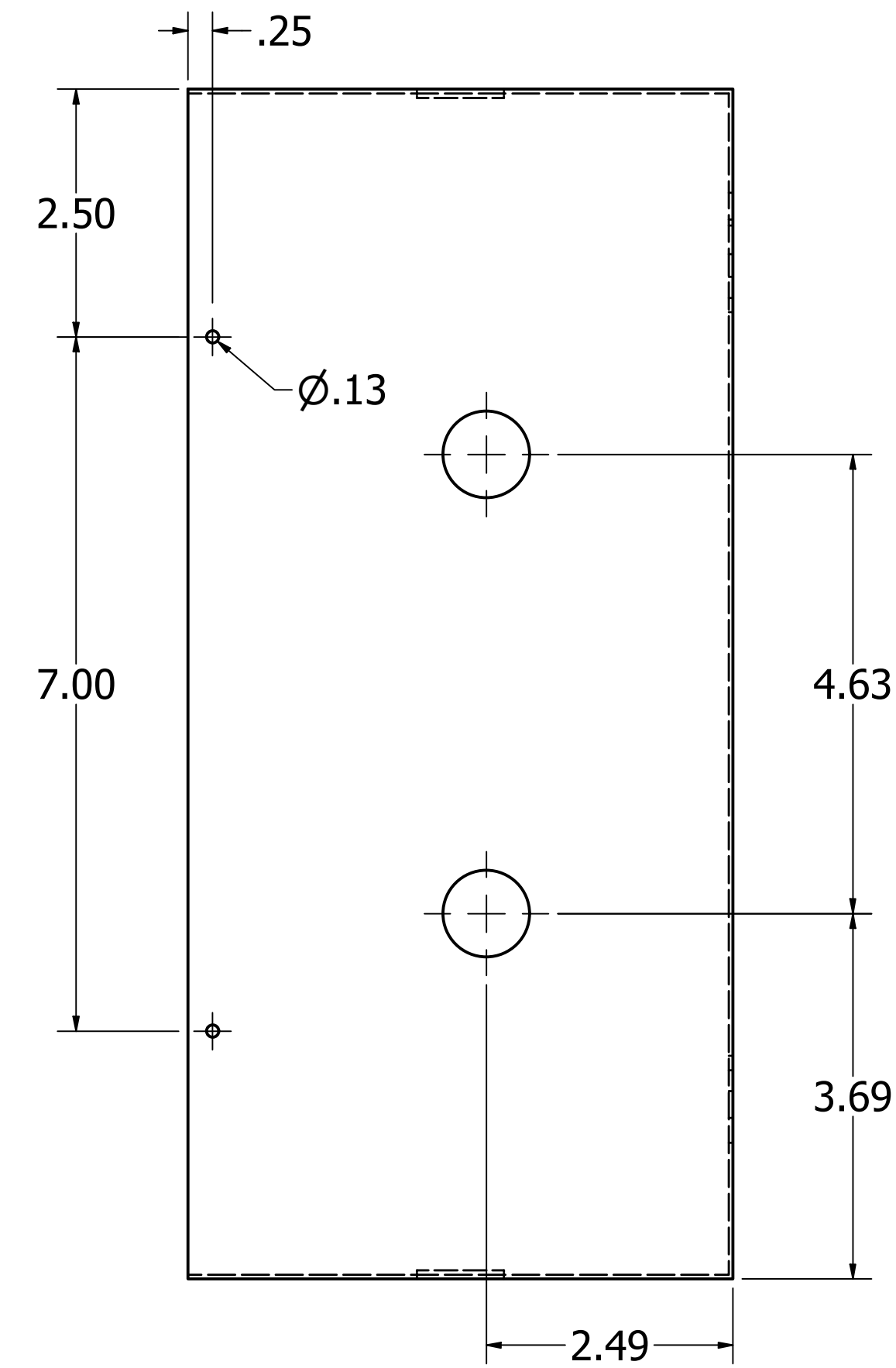
ALL UNITS IN INCHES UNLESS OTHERWISE STATED.

KNOCKOUTS HAVE  $\varnothing.875$ IN.

HOUSING MADE USING 19 GAUGE STEEL.



DETAIL A  
SCALE 2 : 1



800-473-0213 | [info@mierproducts.com](mailto:info@mierproducts.com) | [www.mierproducts.com](http://www.mierproducts.com)



DRAWN Andrew Thompson	6/3/2019	Mier Products, Inc.	
CHECKED Brock Borden	3/5/2020	TITLE	
QA		bw-310RUL (MPO 2703)	
MFG		SIZE D	DWG NO bw-310RUL
APPROVED		SCALE 2 : 3	REV
		SHEET 1 OF 1	