



Battery



## 2 IN 1

### Smoke & Carbon Monoxide Alarm



## FEATURES



**2-in-1 Protection**  
Smoke/Fire & Carbon Monoxide Alarm



**ZWave Compatible**  
Stay Connected Through Your ZWave System



**Test & Silence Button**  
For Efficient Testing



**Photoelectric Smoke Sensor**



**Meets UL217 and UL2034**  
Standards for Smoke and CO Alarms

The First Alert model number ZCOMBO (Cat. 1044807) is a single station combination smoke and CO alarm specifically designed for residential applications.

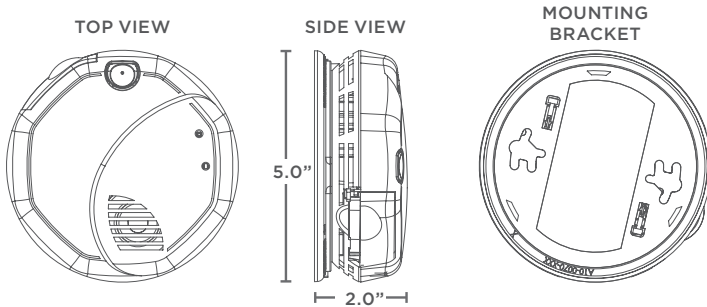
First Alert ZCOMBO has been fully tested to and complies with UL217, UL 2034, CSFM, FCC, IC, Z Wave Plus, NFPA 72, NFPA 720 and other agencies that model their codes after the above agencies. It meets building codes where battery operated Z-Wave wireless smoke and CO alarms are required along with silence features and with model building codes.

First Alert ZCOMBO is a state-of-the-art wireless combination smoke and CO alarm designed to provide early warning of a fire or CO. It features a fully insect screened Photoelectric smoke sensing chamber and an electrochemical carbon monoxide sensor, an 85dB horn, a supervised 3V (2 AA batteries) power supply, utilizes one test button to setup, test and silence. This combination alarm will operate with 3rd party, certified Z-Wave devices enabled with the First Alert protocol and the basic command class required by all Z-Wave devices. First Alert ZCOMBO also includes the Smart Start feature which allows a faster and more intuitive connection of device to hub and on-boarding via use of QR code scan located on device. By the requirements of the Device Class spec, this command class does not have to be mapped to any particular functionality for this device. The alarm supports one association group with up to 1 node and sends its alarms to that group. The alarm supports configuration parameter #1, which has a size of 1, a default value of 0, and when set to 1 causes the device to send double alarm messages. Upon the detection of smoke or CO conditions, the alarm reports smoke and or CO detected to the controller. The device shall send the applicable message when the conditions are cleared. These notifications must be wrapped in the Supervision CC. The following notifications must be supported. The alarm sends a "Heartbeat" signal to hub periodically to confirm operability.

It also features tamper resistant locking pins that lock alarm to the mounting bracket and battery drawer to prevent removal of battery or alarm. Designed for wall or ceiling mounting. Includes mounting anchors and screws.



LINE DRAWING SPECIFICATIONS



ARCHITECTURAL AND ENGINEERING SPEC

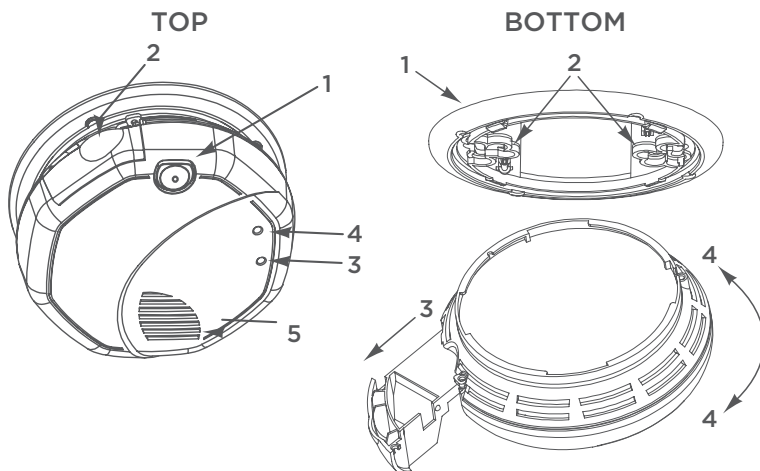
The combination smoke and CO alarm shall be a First Alert Model ZCOMBO (Cat. 1044807) and shall provide at a minimum the following features and functions:

1. A photoelectric smoke sensing chamber and an electrochemical CO sensor.
2. Operates with 3rd party, certified Z-Wave devices enabled with the First Alert protocol.
3. Uses a P-Horn that is 3kHz.
4. The CO sensor is adjusted not to detect CO levels below 30 PPM and will not alarm when exposed to constant levels of 30 PPM for 30 days. It will alarm at the following levels: 400 PPM CO between 4 and 15 minutes, 150 PPM CO between 10 and 50 minutes and 70 PPM CO between 60 and 240 minutes.
5. The unit shall have an "End of Life" signal. This signal should be capable of temporarily being silenced for up to 2 days. After about 2 days, the signal will resume. After about 2-3 weeks the signal cannot be silenced.
6. A fully screened sensing chamber to resist entry of small insects.
7. Powered by 2 replaceable AA batteries, a horn rated at 85 dB at 10 ft and should be capable of self-resonating.
8. A visual Green LED power-on indicator to confirm unit is receiving power or is in alarm.
9. Two Silence features - Low Battery Silence: Silence low battery chirp for up to 8 hours. Alarm Silence (Smoke/CO): Temporarily silence unwanted nuisance alarms.
10. Two Locking features - tamper resistant locking pins that lock battery drawer and/or alarm to mounting bracket.
11. The unit shall be capable of operating between 40°F (4°C) and 100°F (38°C) and relative humidity between 10% and 95%.
12. The unit shall contain mounting hardware and shall be listed for wall or up to 12" ceiling mounting.
13. The unit shall at a minimum meet the requirements of UL217, UL2034, CSFM, FCC, IC, Z Wave Plus, NFPA 72, and NFPA 720.

INSTALLATION OF ALARM

Installation of this alarm must conform to NFPA 72 and NFPA 720. Always check your local building codes. Follow all instructions for placement as outlined in the user's manual in sections titled "Recommended Locations for Smoke Alarms" and "Locations to Avoid for Smoke Alarms".

THE PARTS OF THIS ALARM



TECHNICAL SPECS

Alarm Dimensions:	5.0" Dia. x 2.0" H
Weight:	8.4 oz
Operating Voltage:	3V (Two 1.5V AA) Battery Powered
Temperature Range:	40°F (4°C) to 100°F (38°C)
Humidity Range:	10% to 95% relative humidity (RH)
Audio Alarm:	85dB at 10 feet
Wireless Frequency:	Z-Wave 500 Series
Wireless Range:	131.24 ft
Test/Silence:	Electronically simulates smoke and CO condition, causing the unit to alarm. Press and hold test/silence button.
Alarm Reset:	Automatic when smoke and/or CO clears
Smoke Sensor:	Photoelectric
CO Sensor:	Electrochemical
Warranty:	7 Years
Listing:	Listed to UL217 and UL2034 Standards

SHIPPING SPECS

INDIVIDUAL CARTON

Dimensions:	6.8" W x 3.5" D x 8.5" H
Weight:	0.7 lbs.
Cube:	0.1 ft <sup>3</sup>
UPC:	0 29054 02169 4

MASTER CARTON

Dimensions:	10.8" L x 7.4" W x 9.0" H
Master Pack:	3
Weight:	3.2 lbs.
Cube:	.4 ft <sup>3</sup>
12of5:	100 29054 02169 1

PALLET INFORMATION

Cases per Layer:	21
Number of Layers:	5
Cases per Pallet:	105
Units per Pallet:	315
Cube:	55.6 ft <sup>3</sup>
Weight:	370.8 lbs.

TOP OF ALARM

1. Test/Silence button
2. Slide open battery drawer
3. Power/Alarm LED
4. CO Alarm LED
5. Horn

BOTTOM OF ALARM

1. Mounting bracket
2. Mounting Slots & Locking tabs (Break out Tab)
3. Battery Drawer - Install 2 AA batteries here
4. Twist to attach and remove alarm from bracket

BATTERY DRAWER LOCK

Remove pin from mounting bracket. Close door. Insert pin in holes through alarm and battery drawer.

