

Pro Gen3 Bullet Standard & Telephoto lens



Key Benefits

- Pole/pendant mount and arm included for mounting flexibility
- Easily accessible ports simplify installation
- Profile settings allow the bullet to adapt to scenarios such as license plate recognition, gaming, and more
- Ultra low light capabilities to maintain color image quality without IR
- Dual power failover maximizes camera uptime
- Improved accuracy for facial detection with updated library algorithms

Enriched Video Quality With Reduced Configuration Time

The Illustra Pro Gen3 Bullet maximizes video quality while minimizing installation costs and configuration time. Powerful integrated IR provides uninhibited images in total darkness up to 197ft away for standard Pro Gen3 Bullet and up to 230ft away for Telephoto Pro Gen3 Bullet. Multiple mounting options featuring easily accessible cable ports simplify installation. Building off the previous generation of cameras, the Pro Gen3 Bullet improves on important features such as Wide Dynamic Range, effective failover redundancy, cybersecurity, and Video Intelligence Analytics. Available in a range of resolutions and lens options, the Pro Gen3 Bullet can be added to a variety of deployments in both medium- and large-sized facilities.

Smart Technologies Simplify Setup

Smart Wide Dynamic Range available in the Pro Gen3 Bullet reduces configuration time while greatly improving the quality of the video stream in varying lighting environments. By effectively reading the scene, the Bullet can adjust contrasting and overall scene balance without operator intervention or maintenance. Setup times are also reduced with the addition of application profiles that automatically adjust the camera's settings based on the environment.

Transform Data at the Edge with Video Intelligence Analytics

Save resources when you offload analytic streaming from network video recorders to the edge on Illustra cameras. Video Intelligence Analytics provide real-time event alarms that allows for quick reaction to incidents and behaviors as they occur. Choose from a variety of analytic rules to customize the solution that will be most beneficial to your business and begin gathering transformative data instantly.

Safeguard Against Cyber Attacks Across Devices

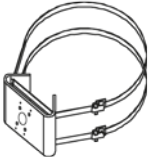
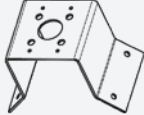
Illustra Pro IP cameras have been designed to be resilient against cyber-threats. This solution includes “secure boot” which ensures the camera will not start if software has been tampered with in any way. Additional safeguard controls include an enhanced security mode which forces the use of complex, non-default passwords and encrypted communications. Our products are gated, analyzed, tested and required to meet or exceed the rigorous standards of the Johnson Controls Cyber Solutions Product Security Program for every consecutive release. This holistic approach is aimed at providing peace of mind to our customers. Our security mindset begins at initial design concept and is supported through deployment, including a rapid incident response to meet the comprehensive and evolving cybersecurity environments.

Specifications

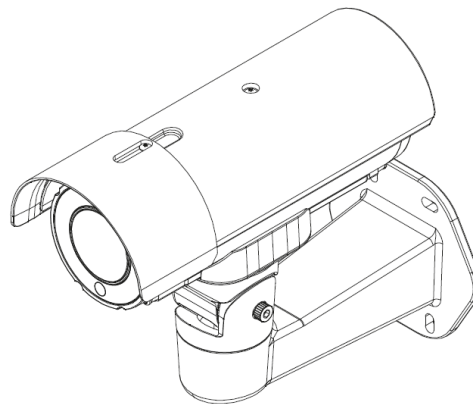
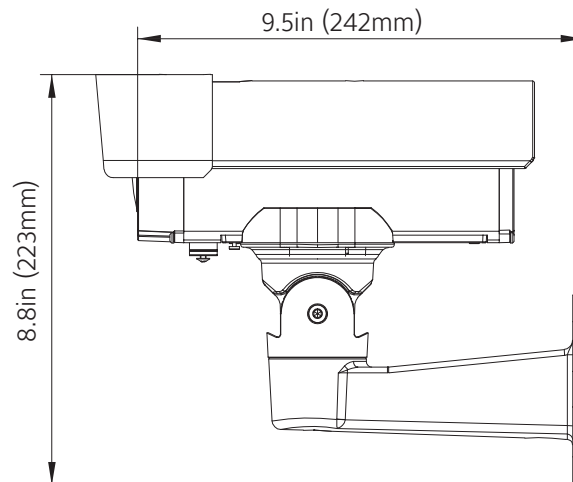
Operational	3MP		8MP	
Video Compression	H.264 / H.265 / MJPEG / IntelliZip			
Max Frame Rate	3MP (2048x1536) @ 30 fps 2MP (1920x1080) @ 60 fps		4K (3840x2160) @ 30 fps 2MP (1920x1080) @ 60 fps	
Resolution & Aspect Ratio	2048x1536 4:3 1920x1080 (1080p) 16:9 1664x936 (HD+) 16:9 1280x960 4:3 1280x720 (720p) 16:9 800x600 (SVGA) 4:3 640x480 (VGA) 4:3 640x360 (nHD) 16:9 480x360 4:3 384x288 4:3		3840x2160 (4K) 16:9 3264x1840 16:9 2688x1520 16:9 1920x1080 (1080p) 16:9 1664x936 (HD+) 16:9 1280x720 (720p) 16:9 1024x576 (PAL+) 16:9 960x544 (qHD) 16:9 816x464 16:9 640x360 (nHD) 16:9 480x272 16:9	
Video Streams	Quad Streaming			
Imager	Progressive Scan RGB 1/2.7" CMOS		Progressive Scan RGB 1/1.8" CMOS	
Image Orientation Settings	None, Mirror, Flip, Flip and Mirror, Corridor (rotate 90° right or left)			
Lens Type	Motorized Varifocal and Focus, P-Iris			
Focus Control	One-Touch Auto Focus or Remote Adjustment			
Focal Length	2.7-13.5mm(Std lens) 4.7-47mm(Telephoto lens)		3.6-10mm (Std lens) 13-55mm (Telephoto lens)	
Field of View Wide (H/V)	100°/73° (Std lens) 58°/45° (Telephoto lens)		95°/53° (Std lens) 33°/17° (Telephoto lens)	
Field of View Telephoto (H/V)	32°/24° (Std lens) 6.5°/4.5° (Telephoto lens)		49°/28° (Std lens) 8.4°/4.5° (Telephoto lens)	
Aperture	Std lens: f/1.4 (W) - f/2.8 (T) Telephoto lens: f/1.6 (W) - f/3.0 (T)		Std lens: f/1.5 (W) - f/2.8 (T) Telephoto lens: f/1.7 (W) - f/2.1 (T)	
Minimum Illumination Color, 1/4s, 30 IRE, AGC B/W, 1/4s, 30 IRE, AGC w/ IR	Std lens: 0.02 Lux	Telephoto lens: 0.03 Lux	Std lens: 0.03 Lux	Telephoto lens: 0.03 Lux
	0.0002 Lux	0.0003 Lux	0.0004 Lux	0.0005 Lux
	0.0 Lux	0.0 Lux	0.0 Lux	0.0 Lux
IR Distance	Std lens: 197ft (60m) Telephoto lens: 230ft (70m)		Std lens: 197ft (60m) Telephoto lens: 230ft (70m)	
Dynamic Range	Triple Exposure, True WDR 120 dB Technologies		Dual Exposure, True WDR 110 dB Technologies	
Day/Night	True Day/Night			
Shutter Speed	1/4 - 1/10,000			
ONVIF-Compliant	Profile S			

Video Intelligence Analytics	Linger, exit, direction, abandoned/removed objects, queue, dwell, enter, object detection, crowd, perimeter	
Motion Detection Zones	3	
Face Detection	Yes	
Blur Detection	Yes	
Privacy Zones	9	
Alarms I/O	2-1	
Analog Video Output	1	
Audio	Bi-Directional Full-Duplex	
Simultaneous Users	10	
Languages	Arabic, Chinese (Simplified), Chinese (Traditional), Czech, Danish, English (default), French, German, Hungarian, Italian, Japanese, Korean, Netherlands, Polish, Portuguese, Russian, Spanish, Swedish, Turkish	
Network		
Ethernet Interface	10/100/1000 BaseT, RJ-45, Auto-Negotiation	
Supported Protocols	TCP/IP, IPv4, IPv6, TCP, UDP, HTTP, HTTPS, FTP, DHCP, WS-Discovery, DNS, DDNS, RTP, TLS, RTSP, ICMP, Unicast, Multicast, NTP, SMTP, WS-Security, SNMP, CIDS, FSTP, UPnP™, SIP	
Configuration Management		
Web Browsers	IE 9 and above, Firefox, Safari, Chrome	
Security	Enhanced Security Mode (forces complex passwords, HTTPS and disables discovery); TLS 1.2 (256 bit cipher minimum); Security Overview Page (status and configuration); RTSP Authentication; IEEE 802.1X Client; Remote Accessible Audit logs; Role-Based Access Control	
Onboard Storage		
Card Support	micro SDXC up to 512GB	
Pre-Alarm Recording	Yes	
Recording Format	MP4 File Format	
Recording Trigger	Video Intelligence, Dry Contact Alarms, Motion Detection, Face Detection	
VideoEdge TrickleStor	Yes	
Electrical		
Power Input	Power over Ethernet+ (PoE+) IEEE 802.3at Class 4 (48V 0.38A); 24 VAC 1.27A 50/60Hz	
Power Draw	PoE 18.2W, 24 VAC 30.5W	
Physical		
Dimensions (RxH)	Std lens: Ø3.15 x 8.07in (Ø79.9 x 205mm) Telephoto lens: Ø3.15 x 8.54in (Ø79.9 x 217mm)	Std lens: Ø3.15 x 8.07in (Ø79.9 x 205mm) Telephoto lens: Ø3.15 x 9.27in (Ø79.9 x 235.5mm)
Weight	Std lens: 4.3lb (1.9kg) Telephoto lens: 4.5lb (2kg)	Std lens: 4.3lb (1.9kg) Telephoto lens: 5lb (2.2kg)
Housing Color	Signal White - RAL 9003	
Operating Temperature	-50°C to +60°C (-58°F to +140°F)	
Humidity	Up to 90% non-condensing	
Vandal Resistant	IK10	
Outdoor Rating	IP67	
Plenum Rating	N/A	
Regulatory		
Safety	UL/IEC 60950-1, 62368-1, 60950-22; IEC 62471; UL Listed; CB Certified	
Emissions	FCC CFR 47/15b Class A; EN55032 Class A	
Immunity	EN50130-4	
Environment	RoHS; Reach, WEEE, Waste packaging	

Accessories

Accessory Type	Image	Model Number	Description	Dimensions	Color
Pole Mount Adapter		ADCDMPOLE	For use with Pendant Cap and Gooseneck Arm, or directly to the camera back plate.	Wraps around pole	RAL 9003 Signal White
Outside Corner Mount Adapter		ADCDMCRNRO	For use with Pendant Cap and Gooseneck Arm, or directly to the camera back plate.	5.18 x 7.58 in (131.5 x 192.5 mm)	RAL 9003

Pro Gen3 Bullet



Ordering Information

Model	Description
IPS03-B12-OI03	3MP Bullet, 2.7-13.5mm, TDN, w/IR, Indoor/Outdoor
IPS08-B13-OI03	8MP Bullet, 3.6-10mm, TDN, w/IR, Indoor/Outdoor
IPS03-B15-OI03	3MP Bullet, 4.7-47mm, TDN, w/IR, Indoor/Outdoor
IPS08-B16-OI03	8MP Bullet, 13-55mm, TDN, w/IR, Indoor/Outdoor

Accessories

Model	Description
ADCDMPOLE	Pole adaptor, used with ADLOMARM / ADCBMARM
ADCDMCRNRO	Corner adaptor, outside corner, used with ADLOMARM / ADCBMARM

About Johnson Controls

Johnson Controls is a global diversified technology and multi-industrial leader serving a wide range of customers in more than 150 countries. Our 120,000 employees create intelligent buildings, efficient energy solutions, integrated infrastructure and next generation transportation systems that work seamlessly together to deliver on the promise of smart cities and communities. Our commitment to sustainability dates back to our roots in 1885, with the invention of the first electric room thermostat.

For additional information, please visit www.illustracameras.com or follow Illustra on LinkedIn, Twitter, and Facebook.