



## Yard Master Electric Series Product Brochure

The Yard Master Electric is Elite's outdoor projection screen suitable for your own backyard, patio, pool deck, or wherever your creative innovation leads.



# Yard Master Electric Series



The Yard Master Electric is Elite's outdoor projection screen suitable for your own backyard, patio, pool deck, or wherever your creative innovation leads.



## Screen Material:

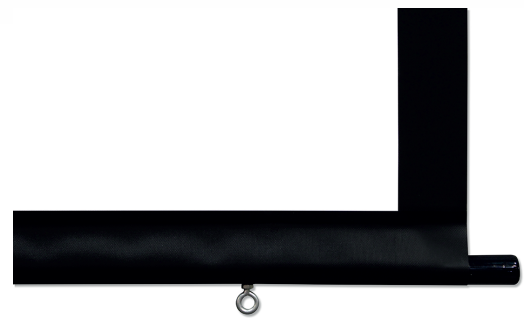
- Designed for outdoor use without compromising its home theater visual appeal
- MaxWhite® 1.1 gain (matte white) front projection material has superb color temperature
- Wide diffusion uniformity allows viewers to enjoy a clear and bright picture from any angle
- Black borders absorb projector over scan while enhancing visual contrast
- Black material backing eliminates light penetration for enhanced brightness levels
- 4K Ultra HD, Active 3D, and HDR Ready

## Design and Installation:

- Dynamic indoor home theater quality with outdoor durability
- IP33 certified for rain/water protection.
- Ideal for backyards, patios, pool decks, and recreation room installations
- Floating aluminum anti-rust brackets allow flush wall/ceiling
- Capable of suspended ceiling installation
- Long distance Radio Frequency remote control included – no line of sight required

## Quality and Reliability:

- Rust-proof metal components - housing, roller tube, brackets, and weight bar
- Tubular motor allows swift operation with a superior weight tolerance and lifespan
- GREENGUARD® and GREENGUARD® Gold Certified (UL 2818) for safe indoor emissions
- 2-year Parts & Labor manufacturer's warranty
- 3-year warranty offered through ENR-G program (Education, Non-Profit, Religious and Government)



## Yard Master Electric Series

Model	Screen Diag. & Aspect Ratio	View Height (in)	View Width (in)	View Height (cm)	View Width (cm)	N.W. (lbs.)	G.W. (lbs.)	N.W. (Kgs)	G.W. (Kgs)	Packing Dimension (LxHxW)	Gain	Screen Material	Case Color
OMS100H-ELECTRIC	100" (16:9)	49.0	87.2	124.5	221.5	24.7	34.0	11.2	15.4	99.6"x6.3"x6.7"	1.1	MaxWhite®	Black
OMS120H-ELECTRIC	120" (16:9)	58.8	104.6	149.4	265.7	29.5	38.7	13.4	17.6	116.7"x6.3"x6.7"	1.1	MaxWhite®	Black
OMS150H-ELECTRIC	150" (16:9)	73.5	130.7	186.7	332.0	52.6	67.9	23.9	30.8	148.9"x7.7"x8.1"	1.1	MaxWhite®	Black

## Yard Master Electric Dimensions Table

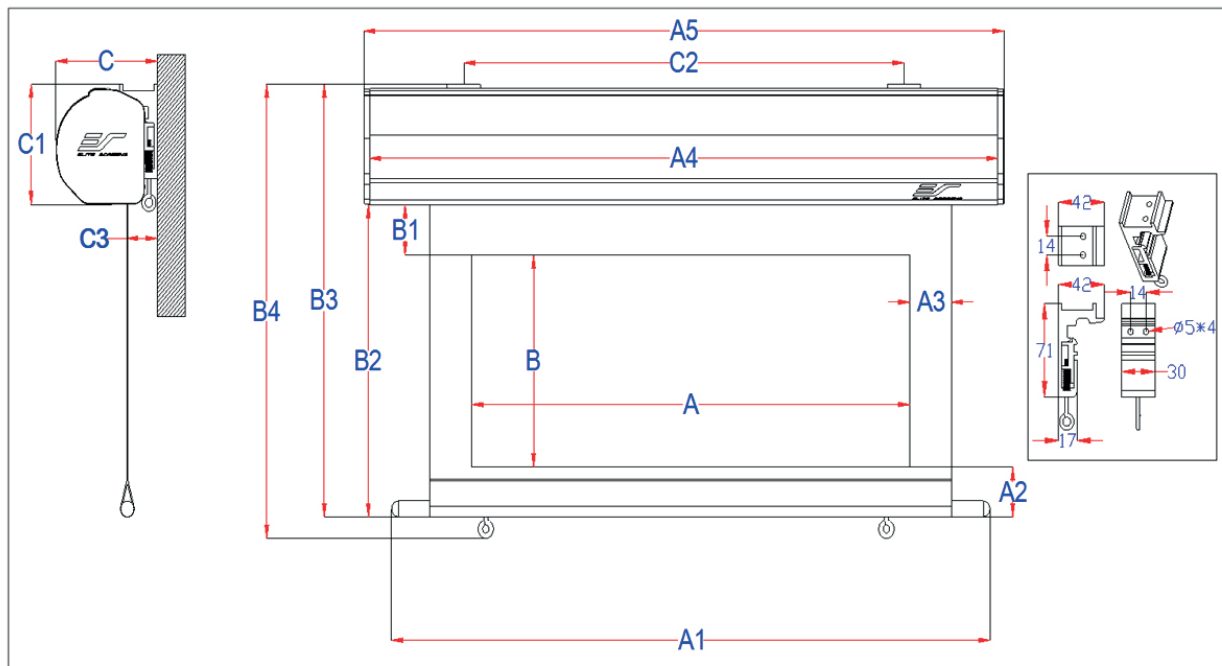
Model Numbers	Screen Diag. & Aspect Ratio	View Width (A)	Bar Length (A1)	Bottom Masking to Bar (A2)	Side Black Masking (A3)	Case Length w/out End Cap (A4)	Case Length (A5)	View Height (B)	Top Black Masking (B1)	Screen Height (B2)	Overall Height to Bar (B3)	Overall Height to Handle (B4)	End Cap Width (C)	End Cap Height (C1)	Drill Hole Distance (C2)	Width Between Wall & Screen (C3)
OMS100H-Electric	100"(16:9)	2215	2395	61	51	2398	2408	1245	305	1610	1707	1727	99	99	1809	28
OMS120H-Electric	120"(16:9)	2657	2837	61	51	2842	2852	1494	305	1859	1956	1976	99	99	2253	28

Unit: mm

Model Numbers	Screen Diag. & Aspect Ratio	View Width (A)	Bar Length (A1)	Bottom Masking to Bar (A2)	Side Black Masking (A3)	Case Length w/out End Cap (A4)	Case Length (A5)	View Height (B)	Top Black Masking (B1)	Screen Height (B2)	Overall Height to Bar (B3)	Overall Height to Handle (B4)	End Cap Width (C)	End Cap Height (C1)	Drill Hole Distance (C2)	Width Between Wall & Screen (C3)
OMS100H-Electric	100"(16:9)	87.2	94.3	2.4	2.0	94.4	94.8	49.0	12.0	63.4	67.2	68.0	3.9	3.9	71.2	1.1
OMS120H-Electric	120"(16:9)	104.6	111.7	2.4	2.0	111.9	112.3	58.8	12.0	73.2	77.0	77.8	3.9	3.9	88.7	1.1

Unit: inch

**Note: Data Error ±1".** The listed measurements are for general reference only. Please contact Elite Screens to verify product design and dimensions before attempting to integrate its products with any structural or furniture modification. Although a manufacturer may offer product advice, it may be taken or disregarded at the integrator's discretion. Elite Screens will not be held responsible or be otherwise liable for faulty installations.



### Yard Master Electric Dimensions Table - 150 inch Model

Model Numbers	Aspect Ratio	View Width (A1)	Overall Length w/out bracket (A2)	Ceiling Bracket Hole Distance (A3)	Screen Width (A4)	Weightbar Length (A5)	L/R Black Masking (A6)	Overall Height w/ Bracket (B)	View Height (B1)	Screen Height (B2)	Top Black Border (B3)	Bottom Black Border (B4)	End Cap Height w/ Bracket (B5)	End Cap Width w/ Bracket (C)	End Cap Height w/ Ceiling Bracket (C1)	(C2)	(C3)
OMS150H-Electric	150"(16:9)	3321	3611	2811	3421	3551	50	2215	1868	2080	152	60	112	118	135	35	23

Unit: mm

Model Numbers	Aspect Ratio	View Width (A1)	Overall Length w/out bracket (A2)	Ceiling Bracket Hole Distance (A3)	Screen Width (A4)	Weightbar Length (A5)	L/R Black Masking (A6)	Overall Height w/ Bracket (B)	View Height (B1)	Screen Height (B2)	Top Black Border (B3)	Bottom Black Border (B4)	End Cap Height w/ Bracket (B5)	End Cap Width w/ Bracket (C)	End Cap Height w/ Ceiling Bracket (C1)	(C2)	(C3)
OMS150H-Electric	150"(16:9)	130.7	142.2	110.7	134.7	139.8	2.0	87.2	73.5	81.9	6.0	2.4	4.4	4.6	5.3	1.4	0.9

Unit: inch

**Note: Data Error ±1".** The listed measurements are for general reference only. Please contact Elite Screens to verify product design and dimensions before attempting to integrate its products with any structural or furniture modification. Although a manufacturer may offer product advice, it may be taken or disregarded at the integrator's discretion. Elite Screens will not be held responsible or be otherwise liable for faulty installations.

