

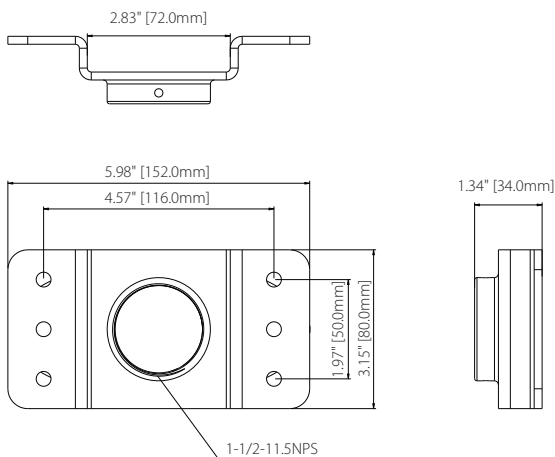
Pendant Mount Accessories

	SBP-302CMA Pendant mount single joist adapter	SBP-302CMB Back box for pendant mount	SBP-302CMS Swivel adapter for pendant mount
Materials	Steel	Aluminum and steel	Aluminum and steel
Dimensions (WxHxD)	5.98" x 3.15" x 1.34" (152.0 x 80.0 x 34.0mm)	5.9" x 5.9" x 3.15" (150 x 150 x 80mm)	4.57" x 4.57" x 5.05" (116 x 116 x 80mm)
Pipe Thread	1.5" NPT female (bottom)	1.5" NPT female (bottom)	1.5" NPT male (top)
Weight	0.9lb (0.4kg)	1.6lb (0.7kg)	4lb (1.8kg)
Max Load	80lb (36.2kg)	80lb (36.2kg)	30lb (13.6kg)
Pivot Angle	N/A	N/A	±45°
Color	Ivory	Ivory	Ivory
Applicable Mount	All Hanwha Hanging Mount (1.5" NPT)		
Optional Accessories	SBP-302CM telescopic pendant mount SBP-302CMS swivel mount adapter SBP-302CM-12 extension pipe, 12" SBP-302CM-36 extension pipe, 36"	SBP-302CM telescopic pendant mount SBP-302CMS swivel mount adapter SBP-302CM-12 extension pipe, 12" SBP-302CM-36 extension pipe, 36"	SBP-302CM telescopic pendant mount SBP-302CMA single joist ceiling mount adapter SBP-302CMB backbox for pendant and ceiling mount SBP-302CM-12 extension pipe, 12" SBP-302CM-36 extension pipe, 36"
Cable Routing	Cable hole	Side: 2x Cable conduit hole, Back: Cable hole	Cable hole

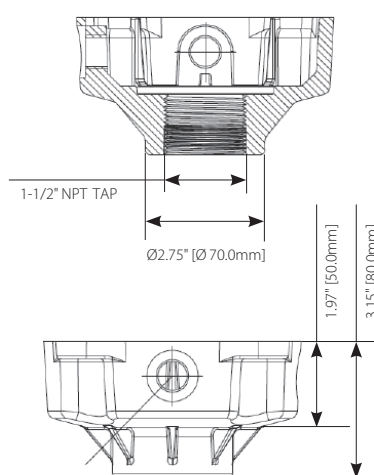
Dimensions

Unit: inch (mm)

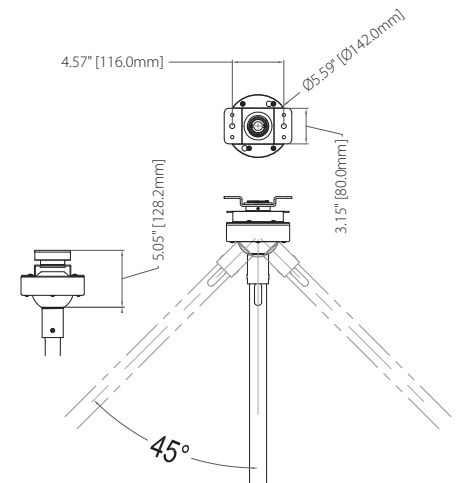
SBP-302CMA



SBP-302CMB



SBP-302CMS



* Design and specifications are subject to change without notice.